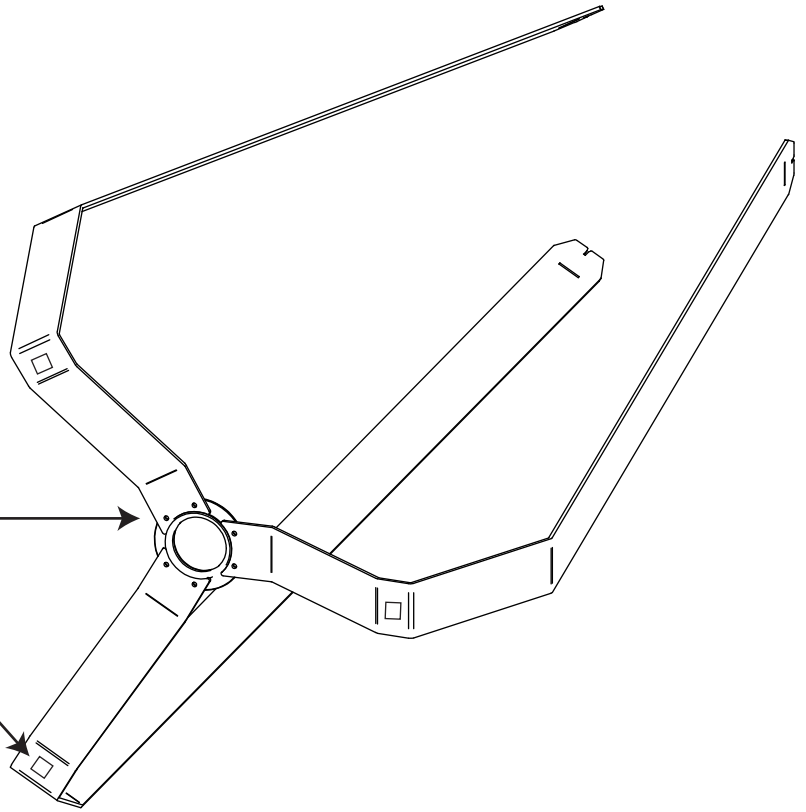
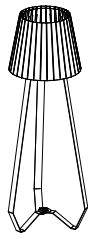


Vapor

floor lamp installation instructions

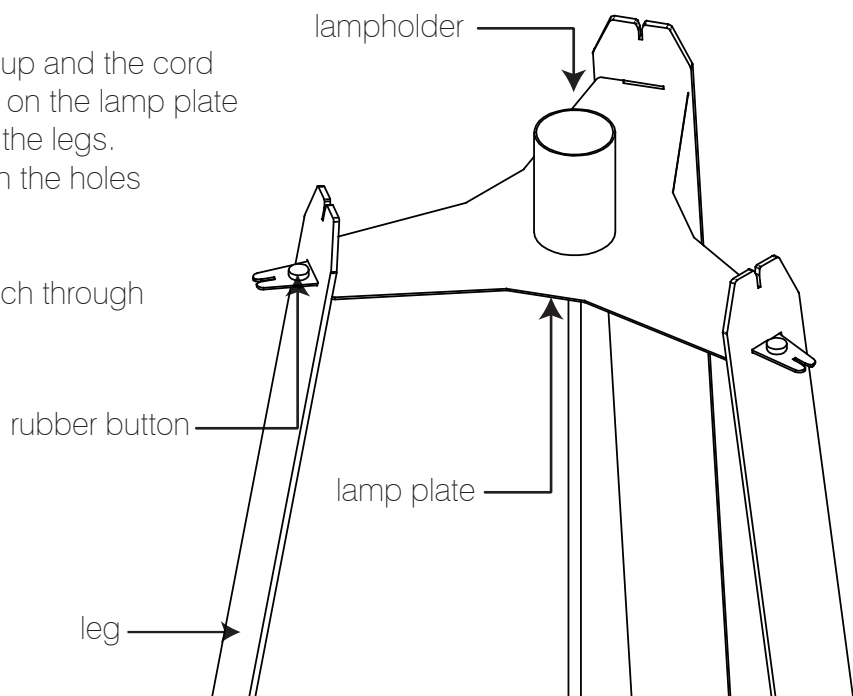


1. Start by attaching the three legs to the machined aluminium hub and fasten with the 6 screws provided

Stick the feet provided to the short flat section on the legs.

2. With the lampholder facing up and the cord hanging down, insert the tabs on the lamp plate through the slots at the top of the legs. Put the rubber buttons through the holes on the lamp plate to fasten.

Feed the power cord with switch through the machined hub



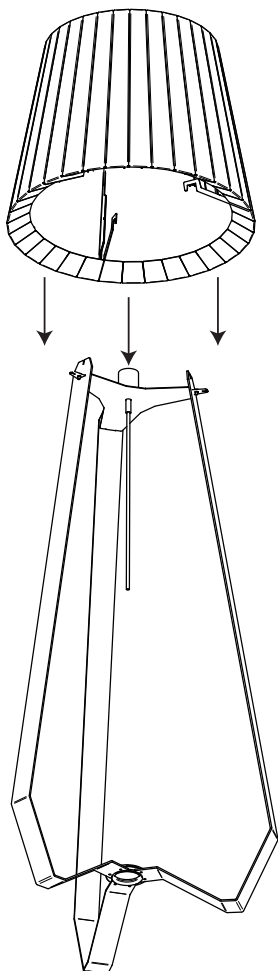
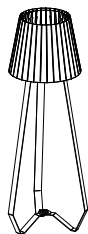
ES style 60W Max
Line voltage must be installed by a qualified
Electrician, in accordance with local electrical laws

Studio 3b 9 Chester Street Fortitude Valley Q Australia 4006
p +61 7 3252 1633 f +61 7 3252 1766
www.objx.com.au

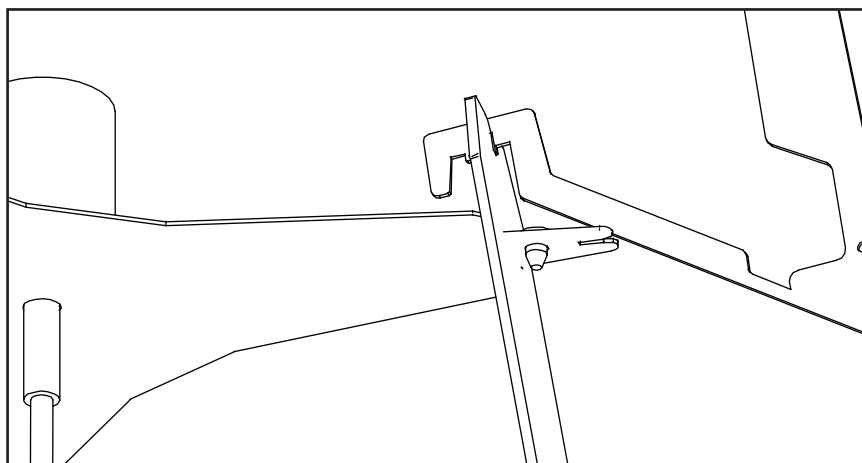


Vapor

floor lamp installation instructions



3. Now simply drop the pre-assembled shade onto the floor base. Make sure that each of the three spokes aligns with and hooks into the corresponding slot at the top of the leg, as shown in the detail below.



4. Enjoy! As a set of precautions, do not lean against, climb on or knock the fitting.

ES style 60W Max
Line voltage must be installed by a qualified
Electrician, in accordance with local electrical laws

Studio 3b 9 Chester Street Fortitude Valley Q Australia 4006
p +61 7 3252 1633 f +61 7 3252 1766
www.objx.com.au

