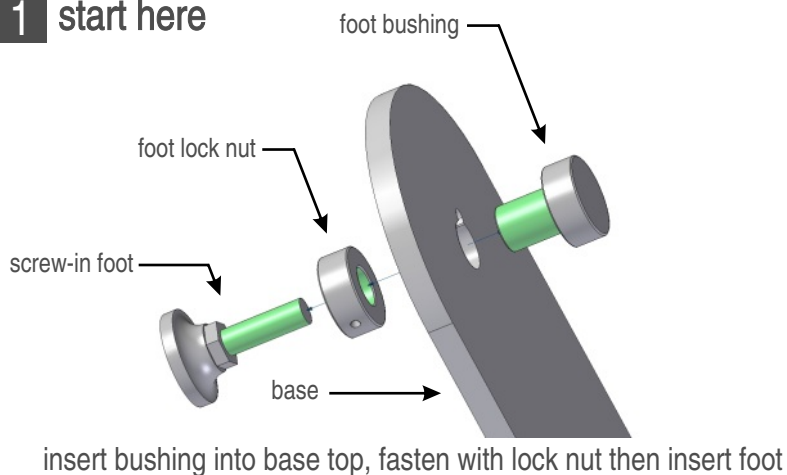
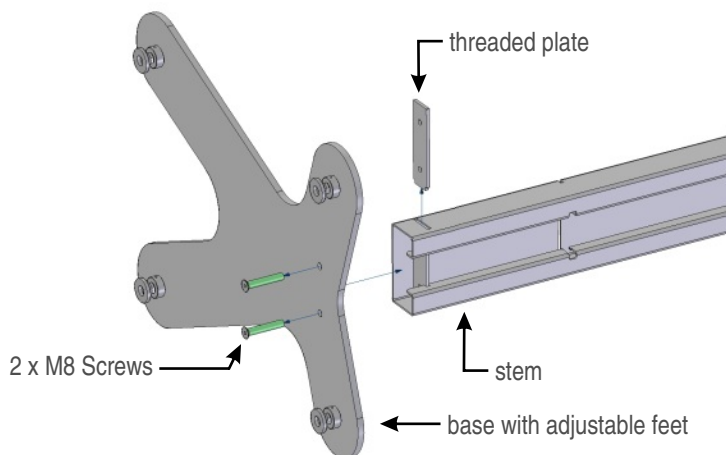


office stak - binder

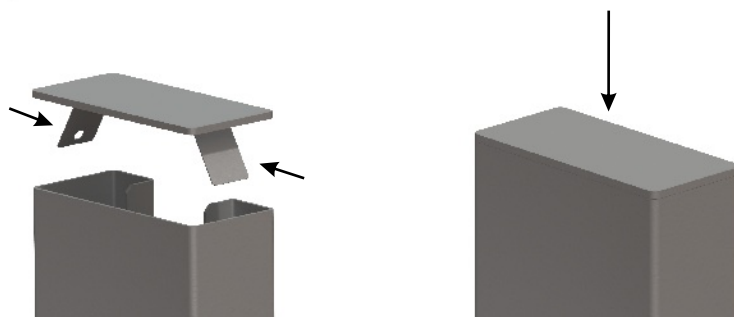
1 start here



2



3



flex in cap locator tabs and insert into end of stem

what you get

- 4 x screw-in feet
- 4 x foot bushings
- 4 x foot lock nuts
- 2 x M8 stem screws
- 1 x threaded plate
- 1 x hex tool
- 1 x base
- 1 x stem
- 1 x cap
- 4 x binder shelves

assembly

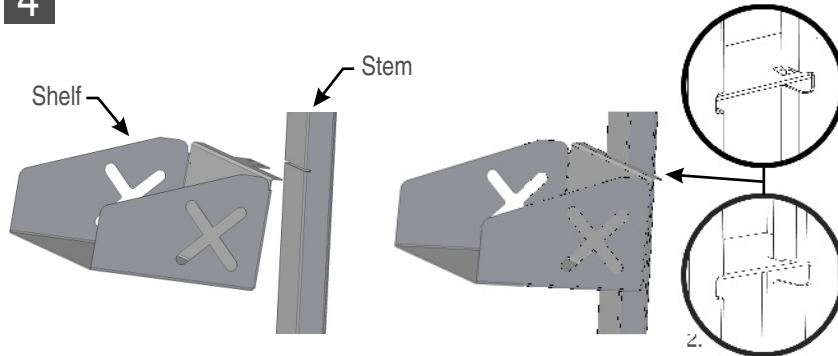
1. Insert foot bushing into top of base ensuring that the pre-inserted locator screw lines up with the corresponding notch. Screw on the round lock nut from the bottom, Insert something into the hole provided for leverage if necessary. Screw the foot into the bushing and rotate to adjust the foot height.
2. Insert M8 screws through holes in base. Insert threaded plate in slot at base of stem. Note that the threaded plate has a small end and a large end. Align the ends of the threaded plate with the slots sizes on the stem and insert
!! Threaded plate must be protruding through both sides of Stem before screwing tight!!
Align screw with threaded recessed plate in bottom of stem and tighten firm using hex tool supplied. Ensure stem orientation is as per Figure 1, non-slotted side of stem should facing back.
3. Stick base feet to underside of base. Ensure even alignments to base edges on all 4 corners. Uneven alignment will cause Stak to be unstable and may be unsafe.
4. Rest Stak on its base so that the stem is now in a vertical position. Locate Stak in final position in your house or office.
5. Starting from the bottom, Insert shelves as per Figure 4.
6. Place binders and folders on shelves in vertical orientation and enjoy.

dos & don'ts

- don't- swing from, crash tackle or generally bump into Stak, it might fall on you.
- don't- load the shelves with any more than 3.5kgs each.
- do- position Stak against a wall or in a corner, away from thoroughfares where it could be knocked.
- do- enjoy and have fun!

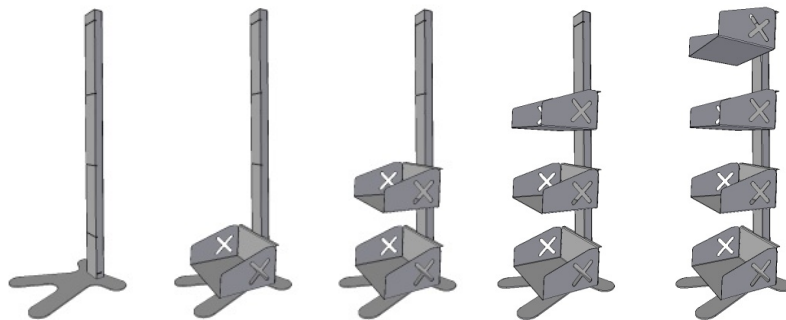
office stak - binder

4



insert shelf tab into stem slot until holes line up with rear tabs, then lever down

5



add shelves from bottom up

Warranty

Warranty: 1 Year.

1. All warranty claims are at Luxxbox's discretion and in accordance with the requirements of the Commonwealth Trade Practices Act 1974.
2. All products must be assembled correctly and used for the intended purpose, otherwise warranty may be void.
3. Luxxbox recognises that from time to time defects can occur and will make every effort to remedy the product where Luxxbox is at fault. At all times we wish that the Luxxbox customer experience is a happy one.

For more information, please see check our website www.luxxbox.com.au .

Luxxbox reserves the right to change specifications at any time. Copyright 2007 all rights reserved.