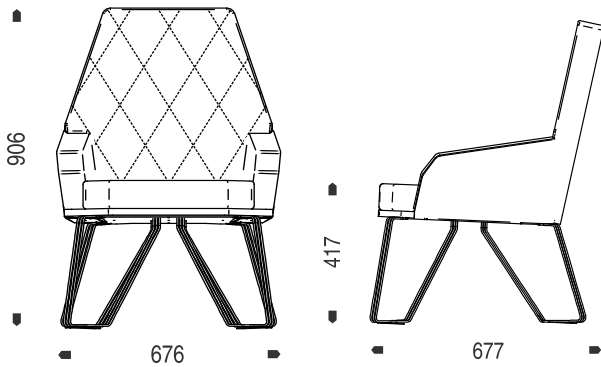


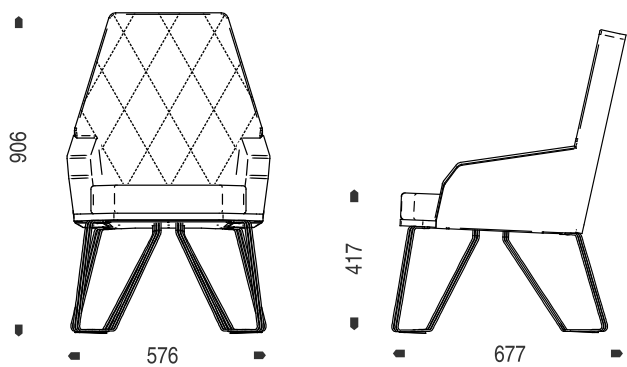


Lark Chair

Wide Seat



Regular Seat



lark

Be part of the club. With a tip o' the cap to days of luxury gone by, the Lark chair redefines 'lavish'. Featuring contrasting stitching and bountiful padding,

Lark is available in two configurations, a wider version for your antechamber and a slimmer version when you're having friends over for wine, cheese and cigars.

Monogrammed bathrobe not included.

Key Benefits

- Two sizes to choose from
- Wide range of fabrics available
- Contrasting stitching
- Suited to dining room and lounge room use

Fabric

- Large seat - 3 metres
- Regular seat - 2.5 metres
- Fabric must be a minimum width of 137cm
- Meterage quoted assumes no pattern matching and is non directional



Fabric must have a minimum width of 137cm.