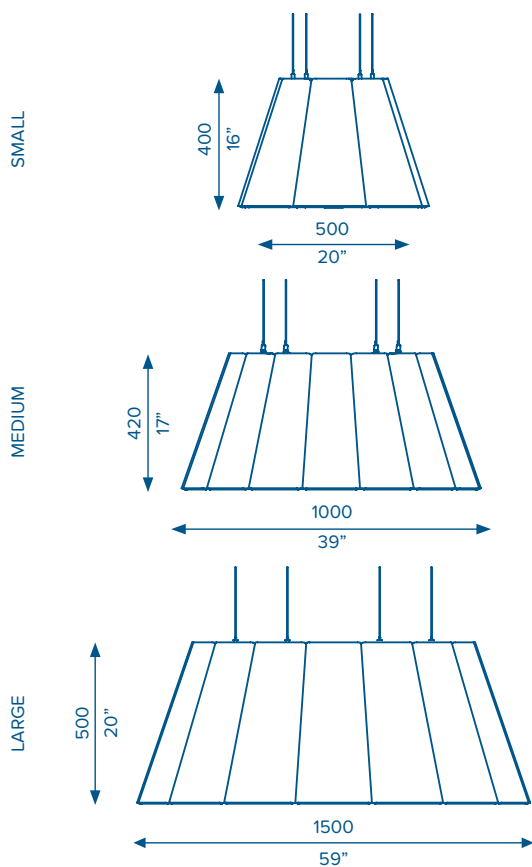




VAPOR ECHO



The reimagined Vapor Echo takes its design cues from Luxxbox's classic Vapor pendant light. The pendant is designed for interior collaborative spaces, adding a decorative element that doubles as a highly effective means of sound management with 1/2 inch acoustic panels. Vapor Echo is available in a wide range of colors and 3 sizes.

KEY FEATURES

- Available in 3 sizes and a wide range of colors
- Segments made from 1/2" acoustic panel
- Highly effective sound absorption: Class D NRC 0.45 - Class C NRC 0.70
- 4 suspension cables, 9' total length, height adjustable
- Supplied with 9.8' woven power cable
- Suitable for indoor environments
- Class A, FS:5 - SD:25 fire rated (USA)
- Minimum 65% recycled material
- IES files available
- ELV dimming compatible
- Acoustic properties independently tested
- Optional upwards LED wash lighting available

Standard Range

light blue (LB)	bright blue (BB)	light grey (LG)	charcoal (C)	green (GR)

Premium Range A

white (W)	off white (OW)	yellow (Y)	orange (O)	red (R)
black (B)	dark blue (DB)	light green (LGR)		

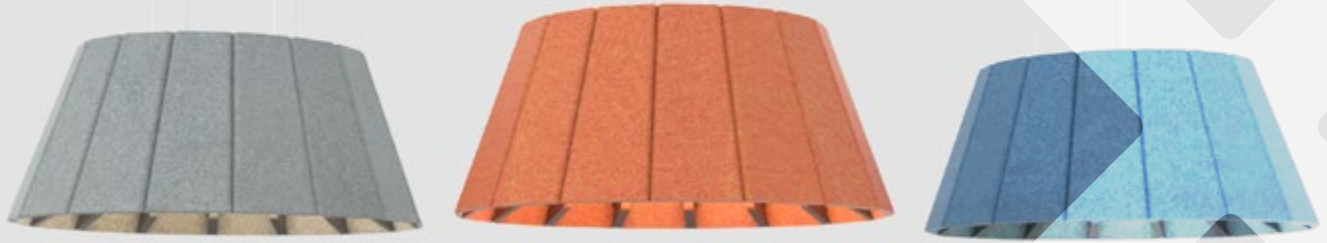
Premium Range B

purple (P)	bright yellow (BY)	turquoise (T)

Luxxbox reserves the right to change the specification, material and colours at any time without notice. Standard warranty terms and conditions apply. All rights reserved. © January 2019 Ver 2.8

LUXXBOX PTY LTD × ACN 123 193 788 × 43 KENYON ST EAGLE FARM QLD 4009 AUSTRALIA
 INFO@LUXXBOX.COM × LUXXBOX.COM × +1 (415) 871 0448 × USA@LUXXBOX.COM





VAPOR ECHO SPECIFICATION

LX-VE = (Size) - (Color) - (Color temperature) - (Upwards light) - (Dimming) - (Voltage)

Model Code	Size	Shade Color	Color temperature	Additional up light	Dimming	Voltage
LX-VE	S = dia 20" x 16" H	Specify color using codes shown above	30 = 3000k	Y = Yes	ELV = ELV compatible ¹ 0-10V ^{2,3}	120V
	M = dia 39" x 17" H		35 = 3500k	N = No		277V
	L = dia 59 x 20" H		40 = 4000k			
LX-VE	_____	_____	_____	_____	_____	_____

Example: **LX-VE-S-LG-35-N-ELV-120V** = Luxxbox Vapor Echo, small, light grey, 3500k, no wash light, ELV dimming compatible, 120 VAC

¹ ELV dimming not available on 277V configurations

² 0-10V Dimming options available upon request

³ 0-10V dimming options with 277V input will be supplied with a remote driver

LIGHT SOURCE SPECIFICATIONS

All Vapor Echo LED luminaires are equipped with LED boards of the following specification:

- S – 2500 lumen, 120VAC, CRI 80, 29W
- M – 4000 lumen, 120VAC, CRI 80, 39.5W
- L – 6000 lumen, 120VAC, CRI 80, 61W

LIGHT SOURCE SPECIFICATIONS WITH UP/DOWN WASH

All Vapor Echo LED luminaires are equipped with LED boards of the following specification:

- S – 5000 lumen, 120VAC, CRI 80, 58W
- M – 8000 lumen, 120VAC, CRI 80, 79W
- L – 12 000 lumen, 120VAC, CRI 80, 122W

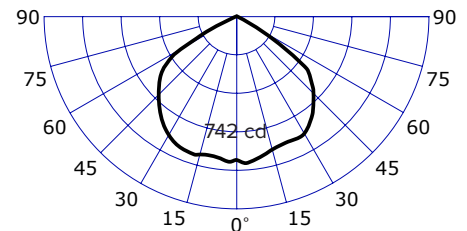
DIMMING OPTIONS

100%-10% dimming is compatible with the following ELV dimmers:

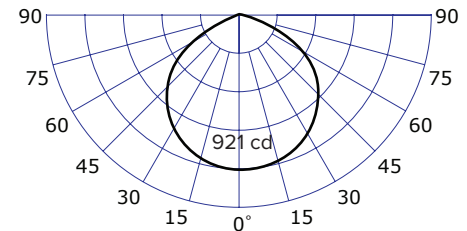
- Lutron Nova NLV-600-WH
- Lutron Maestro MAELV-600-WH
- Lutron Diva DVELV-303P-WH
- Leviton VIZIA + Decora Cat-NO.VPE06-1LZ
- Leviton Decora DSE06-10Z
- Leviton Illumatech Slide Dimmer IPE04-1LZ

LUMINOUS INTENSITY DISTRIBUTION

Small



Large



Luxxbox reserves the right to change the specification, material and colours at any time without notice. Standard warranty terms and conditions apply. All rights reserved. © January 2019 Ver 2.8

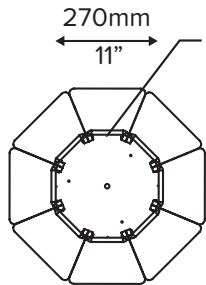
LUXXBOX PTY LTD × ACN 123 193 788 × 43 KENYON ST EAGLE FARM QLD 4009 AUSTRALIA
 INFO@LUXXBOX.COM × LUXXBOX.COM × +1 (415) 871 0448 × USA@LUXXBOX.COM





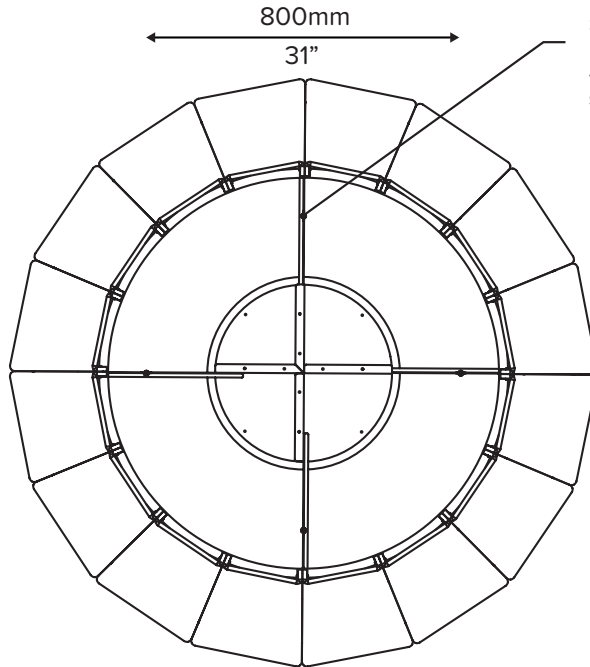
VAPOR ECHO CANOPY LOCATIONS

Small



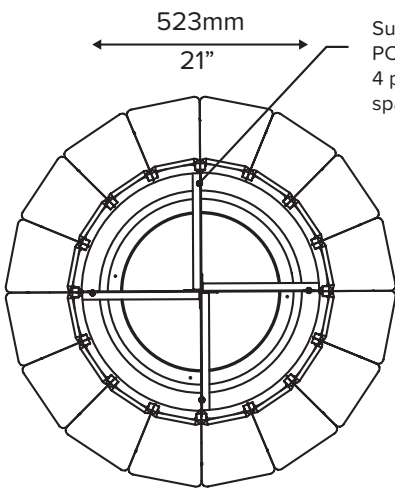
Suspension cable
PCD = 270mm / 11"
4 points equally
spaced at 90°

Large



Suspension cable
PCD = 800mm / 31"
4 points equally
spaced at 90°

Medium



Suspension cable
PCD = 523mm / 21"
4 points equally
spaced at 90°

Luxxbox reserves the right to change the specification, material and colours at any time without notice. Standard warranty terms and conditions apply.
All rights reserved. © January 2019 Ver 2.8

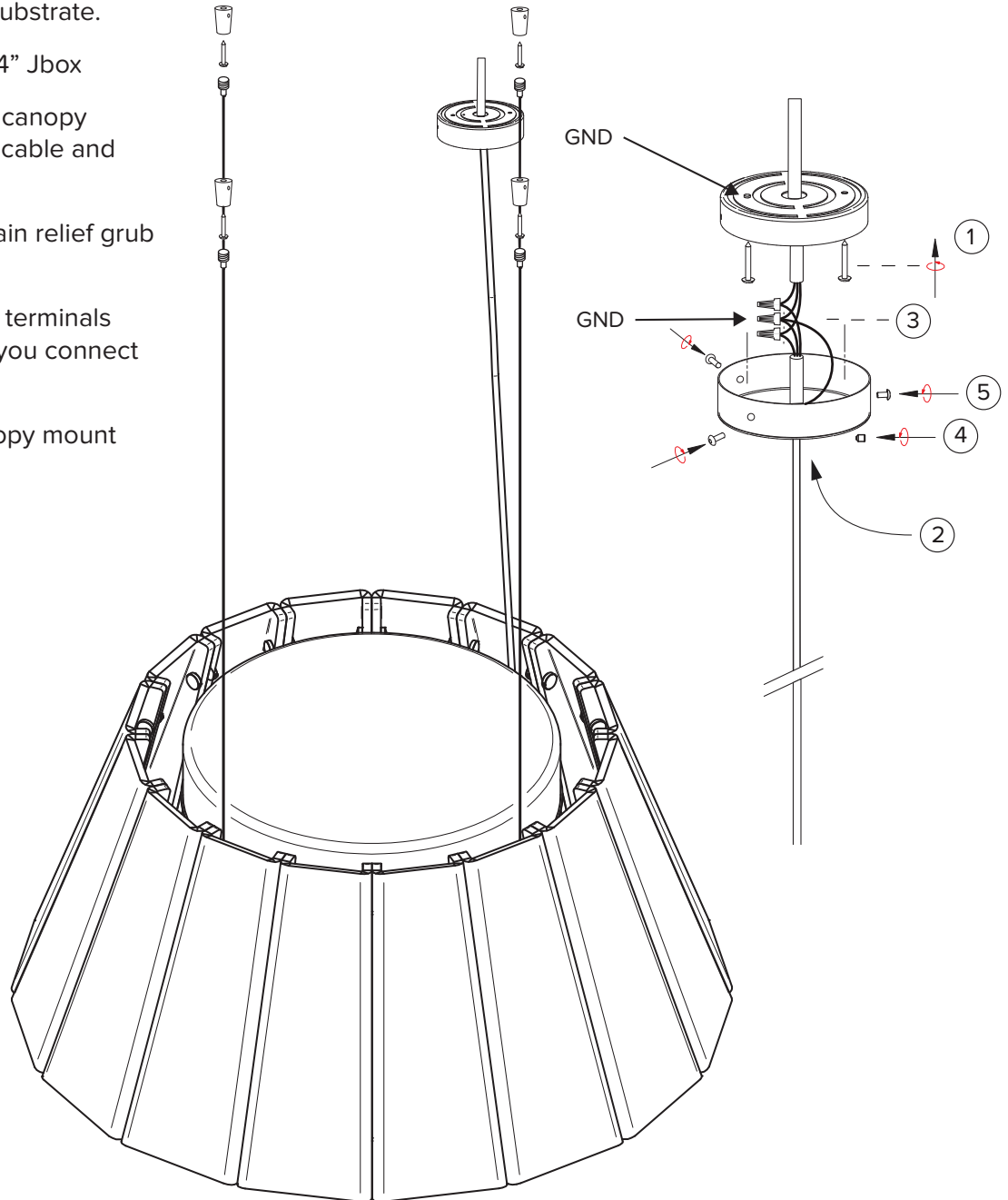
LUXXBOX PTY LTD × ACN 123 193 788 × 43 KENYON ST EAGLE FARM QLD 4009 AUSTRALIA
INFO@LUXXBOX.COM × LUXXBOX.COM × +1 (415) 871 0448 × USA@LUXXBOX.COM



VAPOR ECHO INSTALLATION

⚠ Before starting, determine which fasteners will be best suited to secure the fitting, based on the material of the ceiling substrate.

1. Mount canopy base to 4" Jbox
2. Insert power cable into canopy cover. Adjust lengths of cable and trim if necessary.
3. Fasten power cable strain relief grub screw
4. Connect line voltage to terminals provided, making sure you connect the ground wire
5. Place canopy over canopy mount and fasten 3x screws



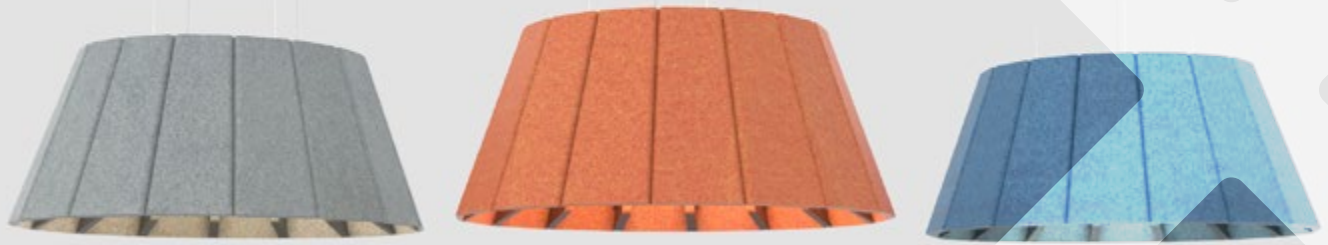
Note: Line voltage must be installed by a qualified electrician, in accordance with local electrical laws.

Luxxbox reserves the right to change the specification, material and colours at any time without notice. Standard warranty terms and conditions apply. All rights reserved. © January 2019 Ver 2.8

LUXXBOX PTY LTD × ACN 123 193 788 × 43 KENYON ST EAGLE FARM QLD 4009 AUSTRALIA
INFO@LUXXBOX.COM × LUXXBOX.COM × +1 (415) 871 0448 × USA@LUXXBOX.COM

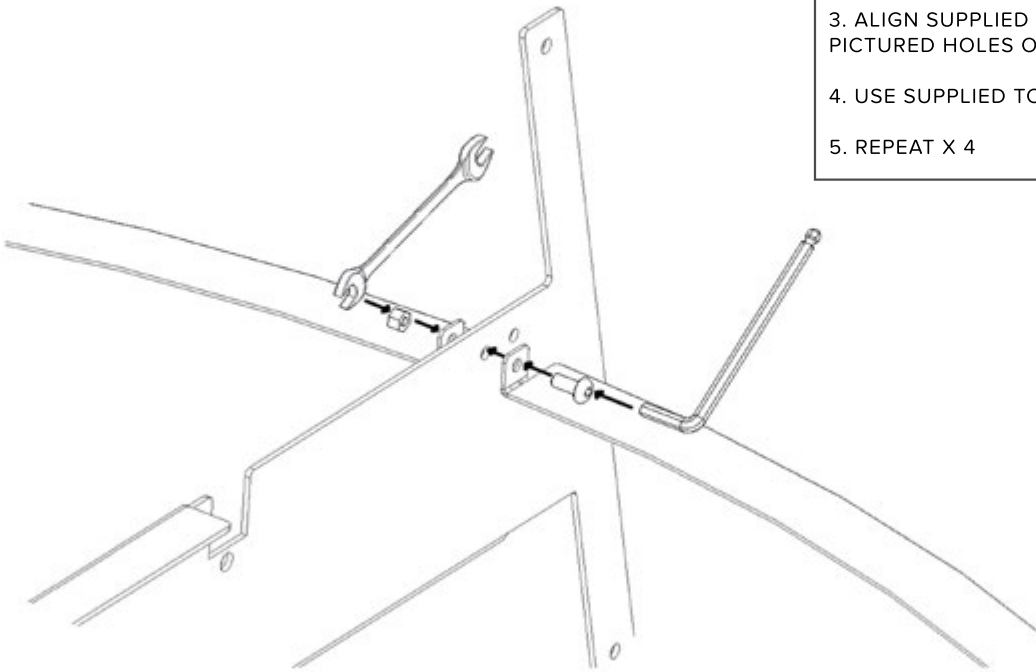


**luxx
box**



VAPOR ECHO BRACE INSTALLATION - LARGE ONLY

1. REMOVE FITTING FROM BOX
2. EXPAND ACCOUSTIC SHADE INTO CIRCULAR FORM
3. ALIGN SUPPLIED QUATER-RING BRACES WITH PICTURED HOLES ON CROSS BRACE
4. USE SUPPLIED TOOLS TO TIGHTEN FIXINGS
5. REPEAT X 4



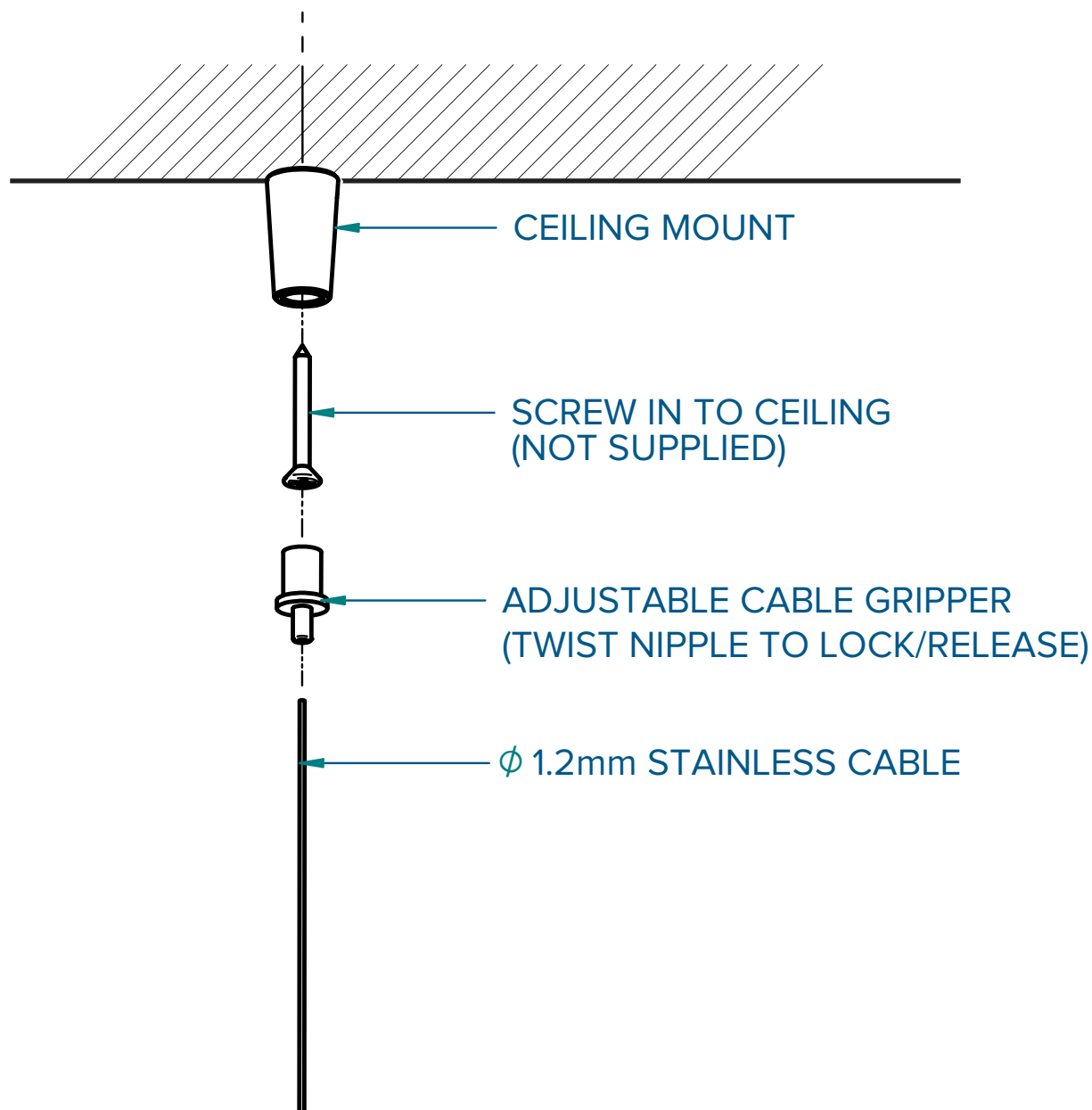
Luxxbox reserves the right to change the specification, material and colours at any time without notice. Standard warranty terms and conditions apply.
All rights reserved. © January 2019 Ver 2.8

LUXXBOX PTY LTD × ACN 123 193 788 × 43 KENYON ST EAGLE FARM QLD 4009 AUSTRALIA
INFO@LUXXBOX.COM × LUXXBOX.COM × +1 (415) 871 0448 × USA@LUXXBOX.COM



luxx
box

STANDARD CEILING MOUNT – INSTALLATION



Luxxbox reserves the right to change the specification, material and colours at any time without notice. Standard warranty terms and conditions apply.
All rights reserved. © January 2019 Ver 2.8

LUXXBOX PTY LTD × ACN 123 193 788 × 43 KENYON ST EAGLE FARM QLD 4009 AUSTRALIA
INFO@LUXXBOX.COM × LUXXBOX.COM × +1 (415) 871 0448 × USA@LUXXBOX.COM



**luxx
box**

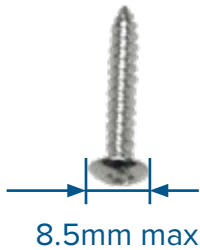
STANDARD CEILING MOUNT - INSTALLATION



← Masonry plug, wall mate or similar - type to be determined by installer. Not supplied.



← Ceiling mount, Supplied



← Screw in to ceiling substrate - type to be determined by installer. Not Supplied



← Cable gripper with grip lock nipple. Supplied.



← 1.2mm Stainless suspension cable. Supplied.



Shown assembled

Luxxbox reserves the right to change the specification, material and colours at any time without notice. Standard warranty terms and conditions apply.

All rights reserved. © January 2019 Ver 2.8

LUXXBOX PTY LTD × ACN 123 193 788 × 43 KENYON ST EAGLE FARM QLD 4009 AUSTRALIA

INFO@LUXXBOX.COM × LUXXBOX.COM × +1 (415) 871 0448 × USA@LUXXBOX.COM

