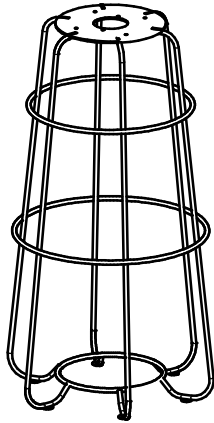
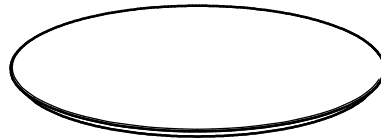


Hoop Table

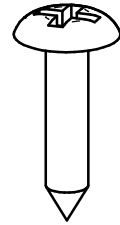
Assembly Instructions



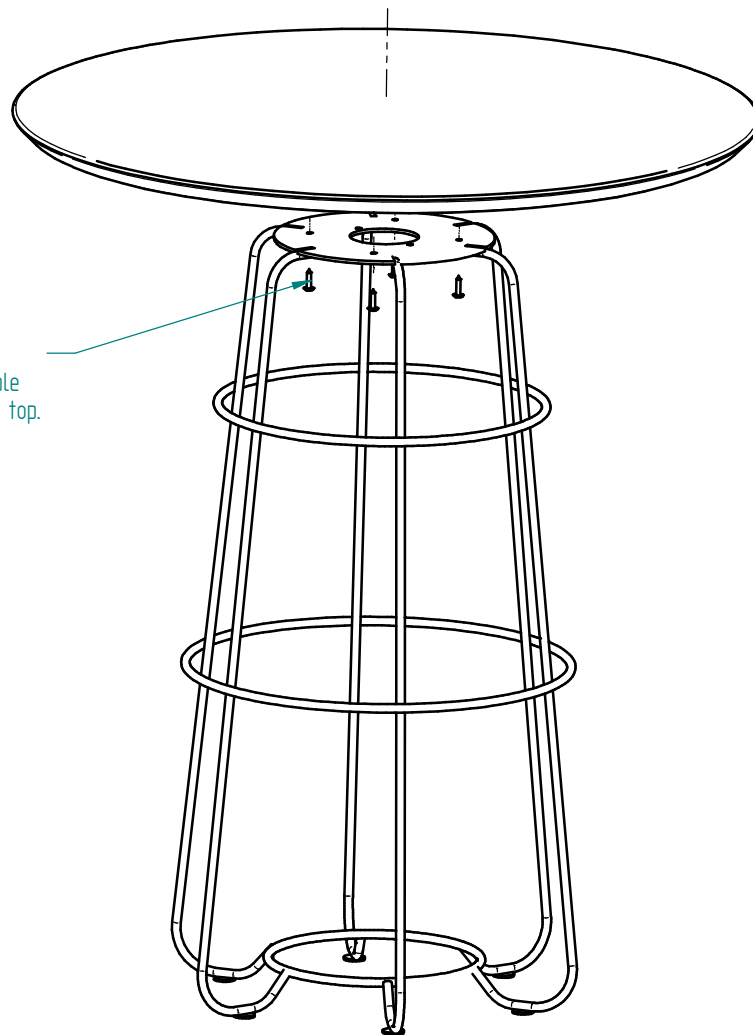
1x Base



1x Table Top



4x Screws



Using a philips head screw driver,
insert screws through plate in table
base, and into pilot holes in table top.