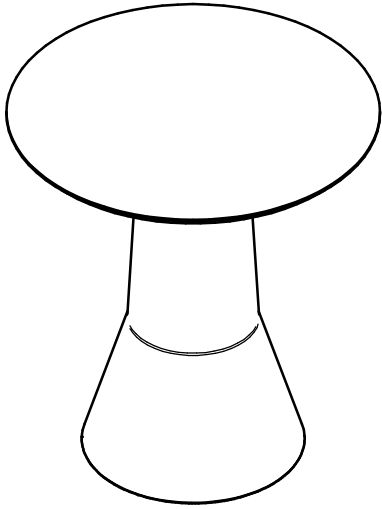
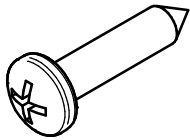


# K-Base Table

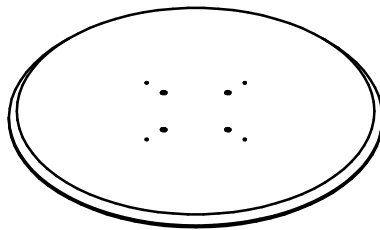
## Assembly Instructions



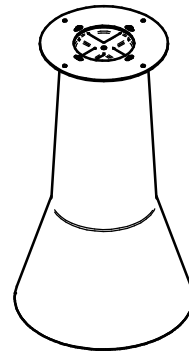
1. Carefully unpack your K-Base Table, ensuring that the full parts list depicted below has been included. Place the table top with the holes facing upwards on a padded surface.



4 x

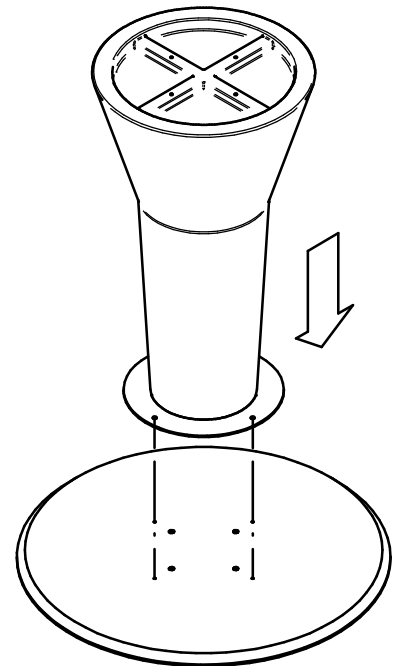


1 x



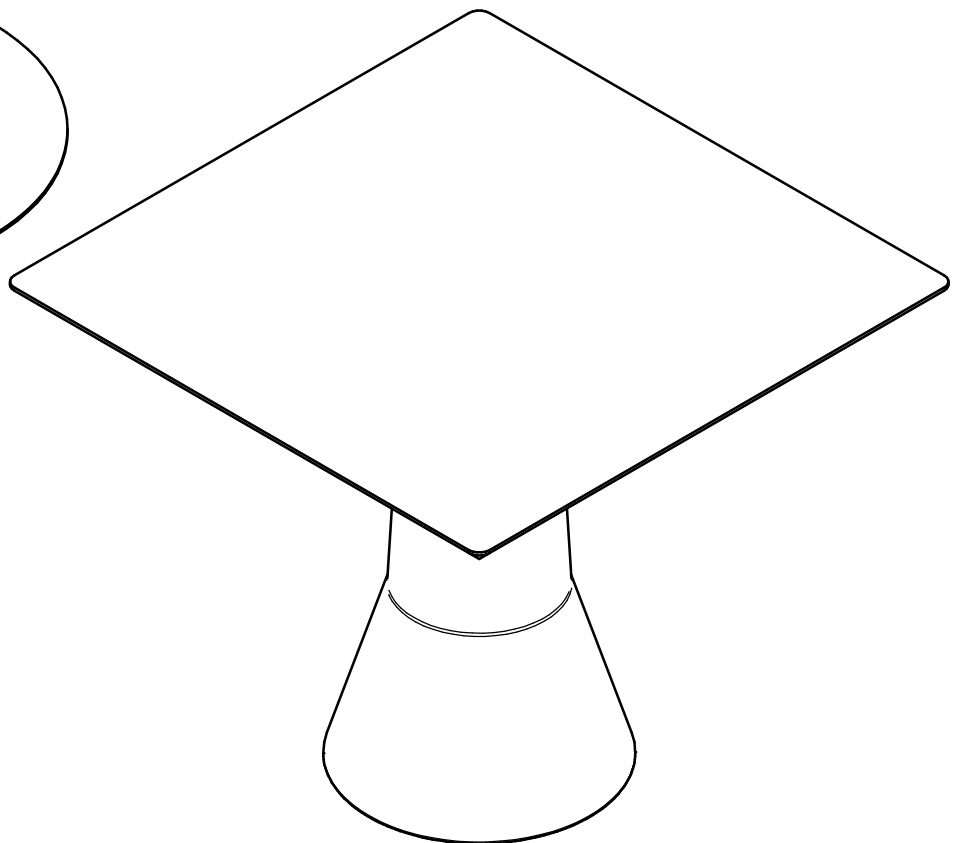
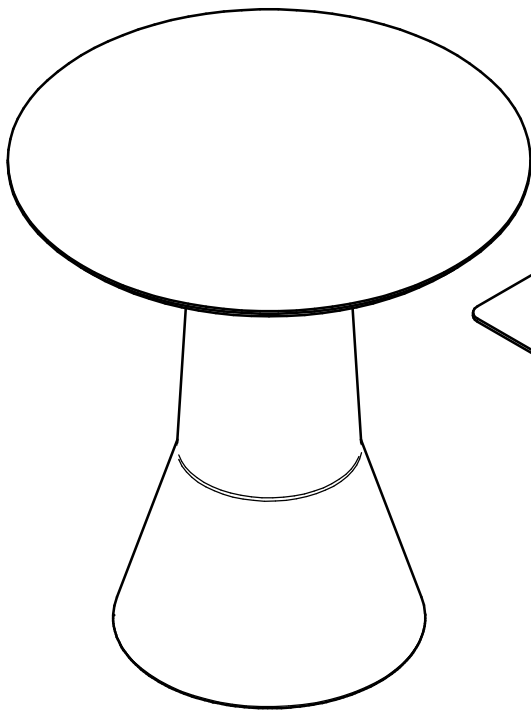
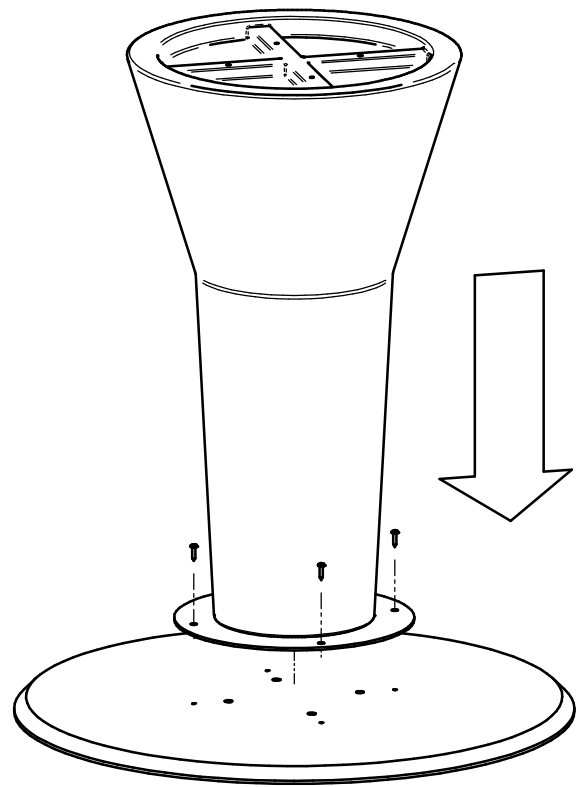
1 x

2. Lower the table base onto the table top, making sure that the screw holes on the base align with the pre-drilled holes on the underside of the table top.



[www.luxxbox.com](http://www.luxxbox.com)

3. Carefully screw the four supplied screws into the underside of the tabletop. DO NOT OVER TIGHTEN.



4. Turn your K-Base Table right side up and enjoy!

[www.luxxbox.com](http://www.luxxbox.com)