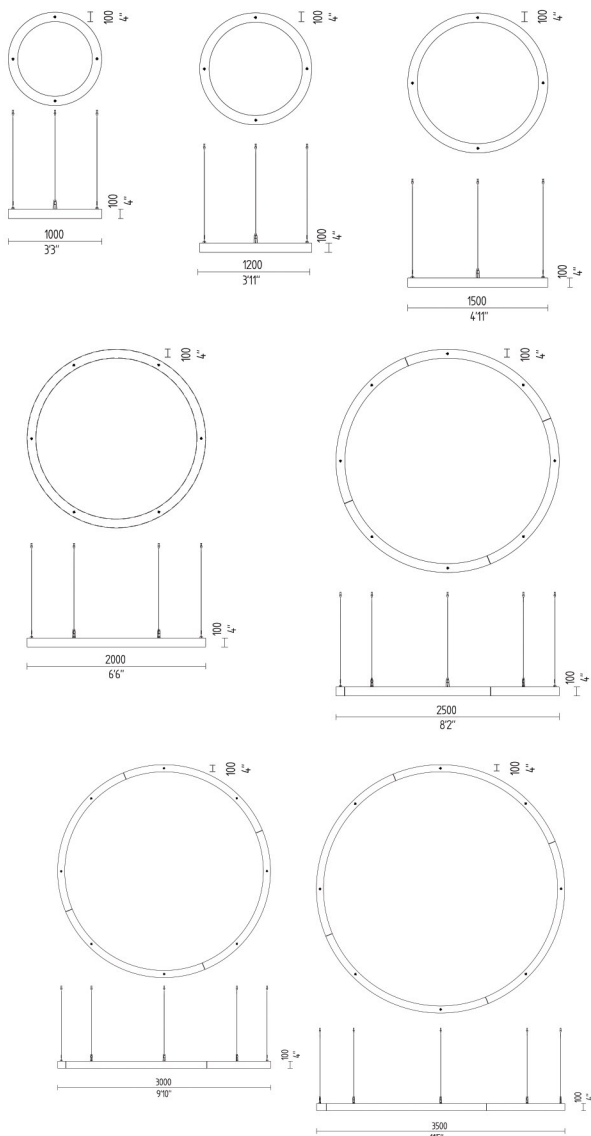




ANILLO RING



This luminous ring makes a lasting impression in any installation thanks to its ability to transform a space using multiple sizes and suspension layouts. With soft LED lighting and colour changing options, this is one circle which just goes round and round and never gets old.

KEY FEATURES

- Lit by warm white or cool white LED strip.
- RGB colour changing LED optional
- 3m(9'10") S/S wire supplied for suspension
- Full electrical terminations
- Cross sectional profile = 100mm x 100mm

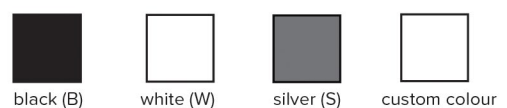
HOW TO SPECIFY

LX-AR = (Size) - (Colour) - (Temperature)

Size	Shade Colour	Colour Temperature
1000 = 1000mm/3'3" dia	Specify colour as below	WW = Warm White (approx 3000K)
1200 = 1200mm/3'11" dia		NW = Natural White (approx 4000K)
1500 = 1500mm/4'11" dia		CW = Cool White (approx 5000K)
2000 = 2000mm/6'6" dia		
2500 = 2500mm/8'2" dia		
3000 = 3000mm/9'10"		
3500 = 3500mm/11'5"		

Example: LX-AR-1500-B-WW = Anillo Ring 1500mm/4'11" diameter, black, warm white colour tem

Available Colours



Note: Comes with remote LED driver (to be concealed in ceiling or other cavity)

Luxxbox reserves the right to change the specification, material and colours at any time without notice. Standard warranty terms and conditions apply. All rights reserved. © March 2017. Ver 1.6.

LUXXBOX PTY LTD × ACN 123 193 788 × 43 KENYON ST EAGLE FARM QLD 4009 AUSTRALIA
 P +61 7 3257 2822 × F +61 7 3257 2844 × INFO@LUXXBOX.COM × LUXXBOX.COM
 P +1 510 386 9300 × USA@LUXXBOX.COM

