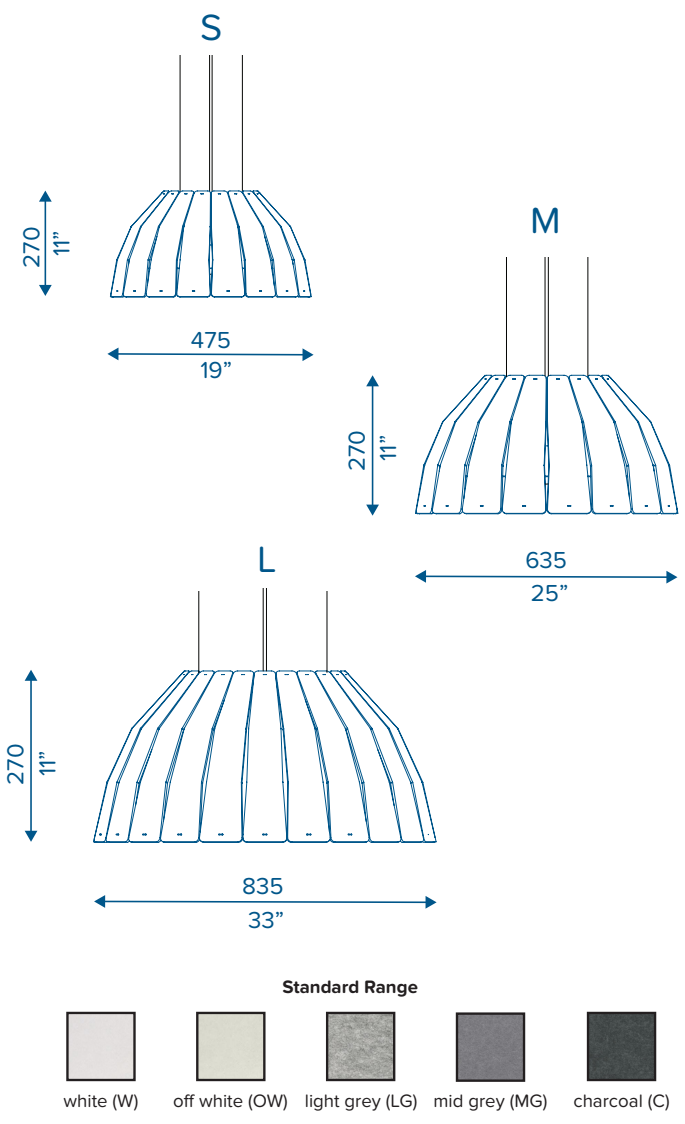




# BIRDCAGE



Birdcage forms part of Luxxbox's decorative pendant series made from acoustically rated panels. Designed to add a decorative element to the space whilst functioning as a tool for sound management.

## KEY FEATURES

- Available in three sizes
- Shade available in a large range of colours
- Effective sound absorption
- E27 lampholder
- 3 suspension cables, height adjustable
- Suitable for indoor environments
- Group 1-S fire rated
- Minimum 65% recycled material

## HOW TO SPECIFY

**LX-BC** = (Size) - (Colour)

Size	Shade Colour
<b>S</b> = dia 475mm x 270mm H	Specify colour as below
<b>M</b> = dia 635mm x 335mm H	
<b>L</b> = dia 835mm x 415mm H	

Example: **LX-BC-S-DG** = Birdcage, Small, Dark Grey

Luxxbox reserves the right to change the specification, material and colours at any time without notice. Standard warranty terms and conditions apply. All rights reserved. © December 2017. Ver 1.8.

LUXXBOX PTY LTD × ACN 123 193 788 × 43 KENYON ST EAGLE FARM QLD 4009 AUSTRALIA  
 P +61 7 3257 2822 × F +61 7 3257 2844 × INFO@LUXXBOX.COM × LUXXBOX.COM  
 P +1 (415)871 0048 × USA@LUXXBOX.COM

