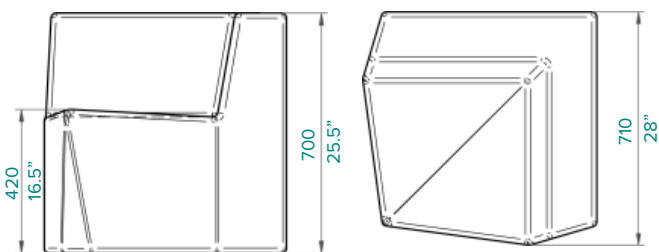


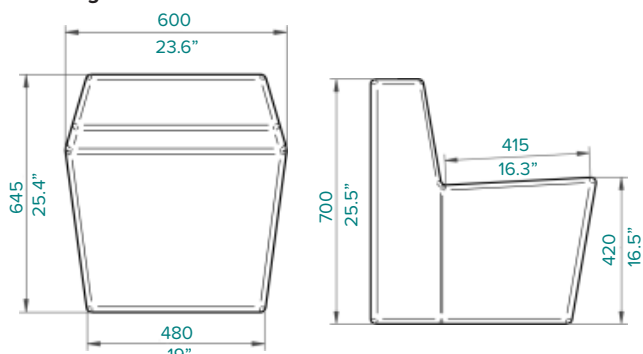


KNUCKLES

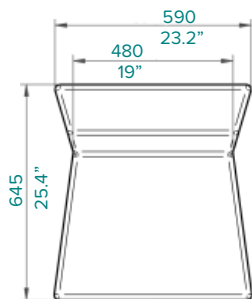
Knuckles Corner



Knuckles Single



Type A



Type B

Knuckles is no stranger to competition. Like any good fighter, it's quick to adapt to its surroundings. With a variety of configurations and finishes, you will want Knuckles on your side wherever you are. Whether you are cornered or claiming your ground in a large open space, Knuckles knows no defeat.

* Image shown with Luxxbox Sumo

KEY FEATURES

- Available in a number of configurations
- Large range of fabric finishes
- Fabricated using Dunlop CM5 foam
- Fabricated using Australian made Eco Ply
- Short lead time
- 2.5 metres of plain fabric for single A or B lounge (allow 3 metres for patterned fabric)
- 4 metres of plain fabric for corner lounge (allow 5 metres of patterned fabric).

HOW TO SPECIFY

LX- (Configuration)

Configuration

KC = Corner

KA = Single Type A

KB = Single Type B

Example: **LX-KB** = Luxxbox Knuckles Single Type B

Luxxbox reserves the right to change the specification, material and colours at any time without notice. Standard warranty terms and conditions apply. All rights reserved. © March 2017. Ver 1.2.

LUXXBOX PTY LTD × ACN 123 193 788 × 43 KENYON ST EAGLE FARM QLD 4009 AUSTRALIA

P +61 7 3257 2822 × F +61 7 3257 2844 × INFO@LUXXBOX.COM × LUXXBOX.COM

P +1 510 386 9300 × USA@LUXXBOX.COM

**luxx
box**