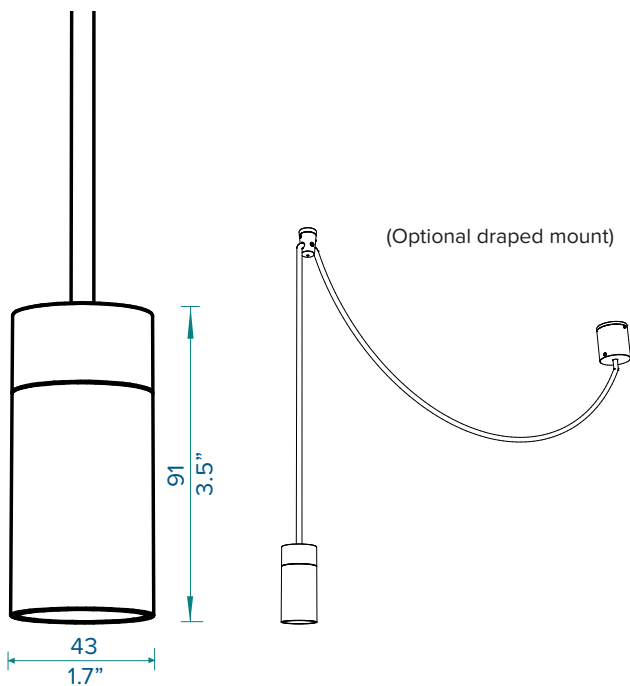




NULL PENDANT



The Null Pendant can be as anonymous or as outspoken as you like. A selection of interchangeable metallic finishes means the Null Pendant can be either a subtle finishing touch or a smooth punctuation in any interior space. Mix and match the two-tone lampholder options with your choice of cable to suit. It's up to you! Even try adding extra length of cable and pair it up with our special mounts for easy draping.

KEY FEATURES

- Standard E27 lampholder base
- Super minimalist design
- Precision machined aluminium construction
- Silky smooth anodised finish
- Customisable colour combinations
- Fabric woven cord
- Draped cable option
- Custom cable colours available upon request

HOW TO SPECIFY

LX-NP- (Cap) - (Body) - (Cord Colour) - (Mount)

Pendant Cap	Pendant Body	Colour (Cord)	Drape Mount
BL = Black	BL = Black	BL = Black	WM = With Mount
BR = Brass	BR = Brass	WT = White	NM = No Mount
CO = Copper	CO = Copper	CC = Custom Colour	
CH = Charcoal	CH = Charcoal		
WT = White	WT = White		

Standard Range



Example: LX-NP-CH-CO-CC-NM = Luxxbox Null Pendant, charcoal pendant cap, copper pendant body, custom cord colour with no drape mount



Luxxbox reserves the right to change the specification, material and colours at any time without notice. Standard warranty terms and conditions apply. All rights reserved. © November 2017. Ver 1.9.

LUXXBOX PTY LTD × ACN 123 193 788 × 43 KENYON ST EAGLE FARM QLD 4009 AUSTRALIA
 P +61 7 3257 2822 × F +61 7 3257 2844 × INFO@LUXXBOX.COM × LUXXBOX.COM
 P +1 510 386 9300 × USA@LUXXBOX.COM

