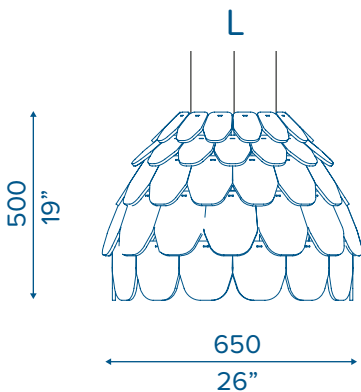
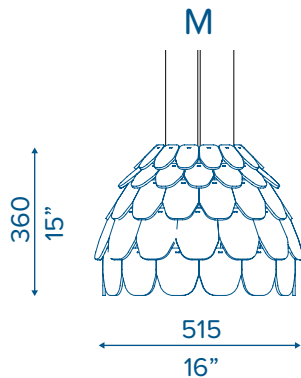
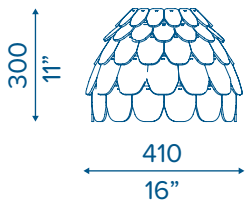




SHINGLE

S



Shingle forms part of Luxxbox's decorative pendant series made from acoustically rated panels. Designed to add a decorative element to the space whilst functioning as a tool for sound management.

KEY FEATURES

- Available in three sizes
- Shade available in a large range of colours
- Effective sound absorption
- E27 lampholder
- 3 suspension cables, height adjustable
- Suitable for indoor environments
- Group 1-S fire rated
- Minimum 65% recycled material
- IES files available

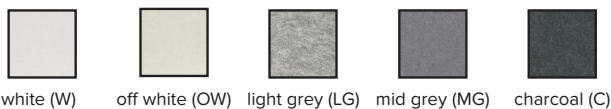
HOW TO SPECIFY

LX-SI = (Size) - (Colour)

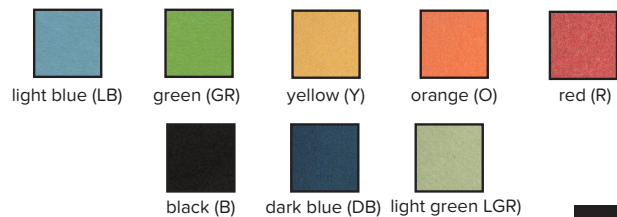
Size	Shade Colour
S = dia 410mm x 300mm H	Specify colour as above
M = dia 515mm x 360mm H	
L = dia 650mm x 500mm H	

Example: **LX-SI-S-DB** = Luxxbox Shingle, small, dark blue
 NB: Upwash not available for small pendants.

Standard Range



Premium Range A



Luxxbox reserves the right to change the specification, material and colours at any time without notice. Standard warranty terms and conditions apply. All rights reserved. © September 2017. Ver 1.8.

LUXXBOX PTY LTD × ACN 123 193 788 × 43 KENYON ST EAGLE FARM QLD 4009 AUSTRALIA
 P +61 7 3257 2822 × F +61 7 3257 2844 × INFO@LUXXBOX.COM × LUXXBOX.COM
 P +1 (415) 871 0048 × USA@LUXXBOX.COM

