



SHINGLE (LX-SI)

TYPE:

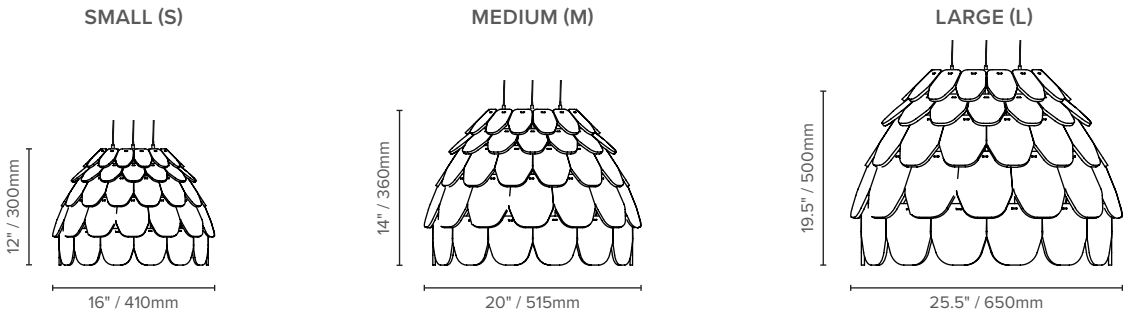
Shingle is part of Luxxbox's decorative pendant series made from acoustically rated panels. Designed to add a character and style to the space whilst functioning as a tool for sound management.

KEY BENEFITS

- Highly effective sound absorption
- Available in 3 sizes and a wide range of colors
- High performance dimmable LED light source
- Optional E26 lamp holder
- Height adjustable 9' / 3m suspension cables per fixture
- 9' / 3m length of black woven power cable per fixture
- Acoustic panels are 100% recyclable and manufactured from 65% recycled material
- Casambi bluetooth available
- POE available on request
- IES photometric files available



SIZE AND WEIGHT



	SMALL			MEDIUM			LARGE		
Output	Delivered Lumens	Wattage	Efficacy lm/W	Delivered Lumens	Wattage	Efficacy lm/W	Delivered Lumens	Wattage	Efficacy lm/W
Direct	1680	24	70	1680	24	70	3720	60	62
Weight	17.6 lbs / 8 Kg			22 lbs / 10 Kg			26.5 lbs / 12 Kg		

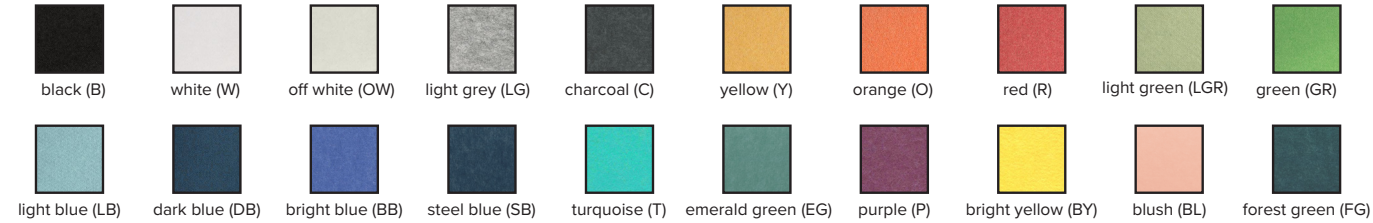
ORDER CODE

EXAMPLE: LX - SI - L - R - 40 - N - U - RD - Y
 (Luxxbox Shingle, Large (dia 25.5" / 600mm), Red, 4000K, No E26 lamp holder, Universal 120-277V / 0-10V dimming, Remote driver, Casambi bluetooth)

LX - SI	SIZE		SHADE COLOR	COLOR TEMP		E26 LAMP		REGION / DIMMING		DRIVER TYPE		CASAMBI	
SI	S	dia 16" / 410mm x 11" / 300mm H	Use color codes as shown	30	3000K	Y	Yes	U	Universal 120-277V / 0-10V dimming (North America only)	RD	Remote driver	Y	Yes
	M	dia 20" / 515mm x 15" / 360mm H		35	3500K	N	No			CD	Canopy concealed driver	N	No
	L	dia 25.5" / 650mm x 19" / 500mm H		40	4000K	G	Global 220 - 240V DSI / DALI						

AVAILABLE COLORS

Colors are subject to lead times and variations across batches



Luxxbox reserves the right to change the specification, material and colors at any time without notice. Standard warranty terms and conditions apply. All rights reserved. © June 2019 Ver 2.2
 All dimensions and values on specification sheet are nominal.

LUXX BOX
 LUXXBOX USA INC × (P)+1 (415) 871 0448 × USA@LUXXBOX.COM
 LUXXBOX PTY LTD × (P)+61 7 3257 2822 × INFO@LUXXBOX.COM
 WWW.LUXXBOX.COM





SHINGLE (LX-SI)

TYPE:

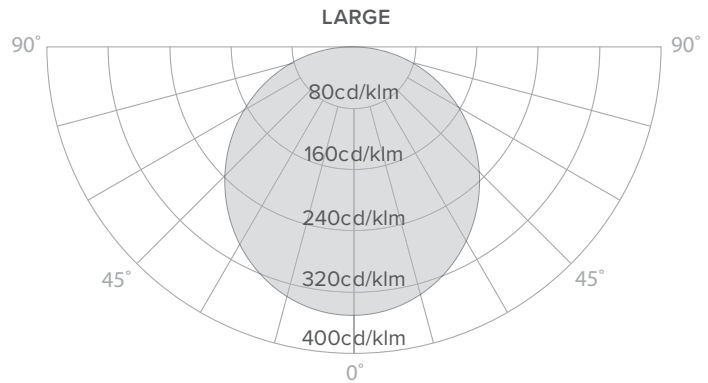
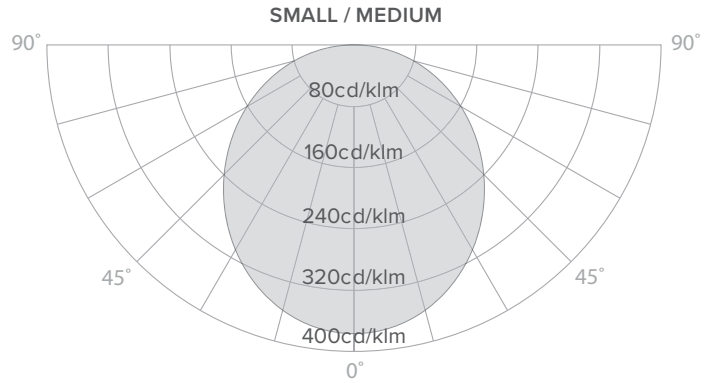
PHOTOMETRICS

SMALL (16" / 410mm)	
Total Lumen output	1680lm
Wattage	24W
Efficacy	70 lm/W Delivered
CRI	90
CCT	3000, 3500, 4000 K

MEDIUM (20" / 515mm)	
Total Lumen output	1680lm
Wattage	60W
Efficacy	70 lm/W Delivered
CRI	90
CCT	3000, 3500, 4000 K

LARGE (25.5" / 650mm)	
Total Lumen output	3720lm
Wattage	60W
Efficacy	62 lm/W Delivered
CRI	90
CCT	3000, 3500, 4000 K

LUMINOUS INTENSITY DISTRIBUTION



DRIVER INFORMATION

Size	Driver Code	Input Voltage	Watts	Dimming Compatibility	Output	Remote Mounting Distance (18AWG)	Compliance
Small/ Medium	Meanwell HLG-40H-36AB	110 - 277VAC	40W	0-10VDC DALI version available	21-36V	8M / 26.2' Maximum from Source	SELV Class 2 CE cUL US
Large	Meanwell ELG-100-42AB-3Y	110 - 277VAC	100W	0-10VDC DALI version available	21-42V	8M / 26.2' Maximum from Source	SELV Class 2 CE cUL US

Luxxbox reserves the right to change the specification, material and colors at any time without notice. Standard warranty terms and conditions apply. All rights reserved. © June 2019 Ver 2.2
All dimensions and values on specification sheet are nominal.



LUXXBOX USA INC × (P)+1 (415) 871 0448 × USA@LUXXBOX.COM
LUXXBOX PTY LTD × (P)+61 7 3257 2822 × INFO@LUXXBOX.COM
WWW.LUXXBOX.COM





SHINGLE (LX-SI)

TYPE:

MATERIAL SPECIFICATIONS

	COLOR CODES: BL, BY, BB, C, EG, FG, LG, MG, P, SB, T	COLOR CODES: B, W, OW, DB, LB, G, LG, R, O, Y
COLOR FASTNESS TO LIGHT:	ISO 105-B02-1994 Rating: 6-7	ISO 105-B02-1994 Rating: 6-7
FIRE TEST:	AS 1530.3 ISO 9705: Group 1 BS 476: Part 7 Class 2	AS ISO 9705 - 2003: Group 1 ISO 9705 - 1993: Group 1s ASTM E-84-14 (A, FS:0 - SD:45) BS EN13501-1:2007+A1:2009 (B-s1, d0)
ENVIRONMENTAL:	PET achieves GreenTag Certification GreenRate: Level A	PET achieves GreenTag Certification GreenRate: Level A
THERMAL TRANSITION:	ASTM C518-2010. R- Value = 0.30 m ² K/W	ASTM C518-2010. R- Value = 0.30 m ² K/W
SOUND ABSORPTION:	AS ISO 354 – 2006 Noise reduction coefficient (NRC) = 0.45	AS ISO 354 – 2006 Noise reduction coefficient (NRC) = 0.45
VOC EMISSIONS:	ASTM D5116 Rate: < 0.02 mg/m ² /hr (7 days)	ASTM D5116 Rate: < 0.01 mg/m ² /hr (7 days)

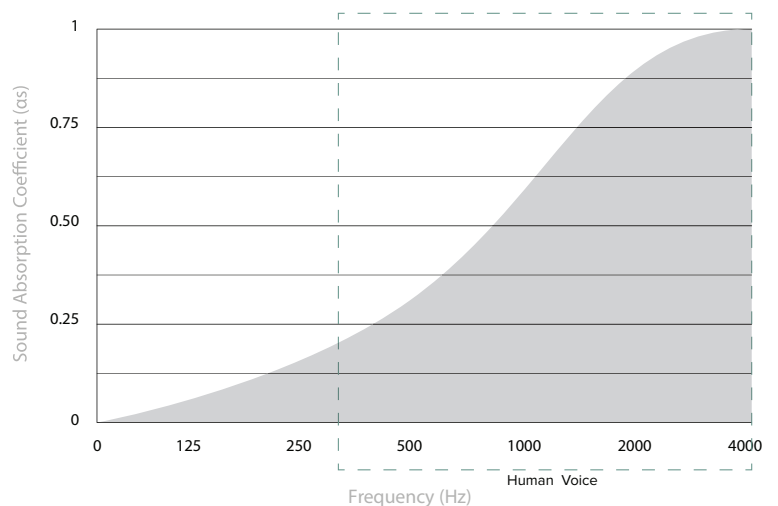
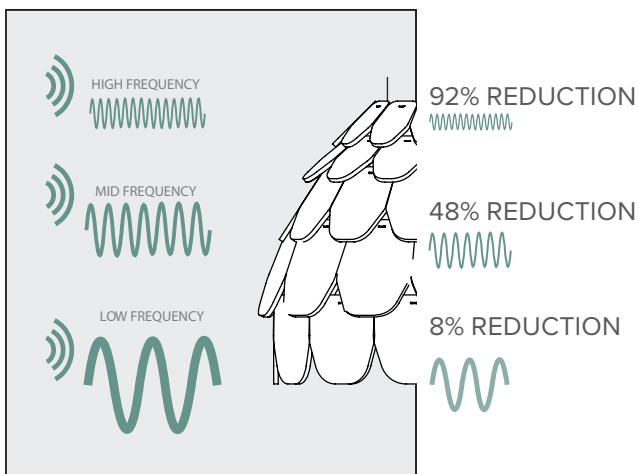
PET ACOUSTIC PROPERTIES

Products are given a Noise Reduction Coefficient (NRC) from 0 to 1 based on their ability to absorb sound, where 1.0 equals 100% sound absorption. The NRC is used to calculate Sabin value of any surface material. The Sabin value equals the NRC multiplied by the total surface area in squared feet or squared metres.

(S) dia 16" / 410mm x 11" / 300mm H	(M) dia 20" / 515mm x 15" / 360mm H	(L) dia 25.5" / 650mm x 19" / 500mm H
3.2 Sabins (imperial) 0.3 Sabins (metric)	5.8 Sabins (imperial) 0.54 Sabins (metric)	9.6 Sabins (imperial) 0.9 Sabins (metric)

ACOUSTIC PROPERTIES

Visualization of decibel decay across the Vapor Echo range. Effects of a 0.45 NRC across a range of frequencies.



Luxbox reserves the right to change the specification, material and colors at any time without notice. Standard warranty terms and conditions apply. All rights reserved. © June 2019 Ver 2.2
All dimensions and values on specification sheet are nominal.



LUXBOX USA INC × (P)+1 (415) 871 0448 × USA@LUXBOX.COM
LUXBOX PTY LTD × (P)+61 7 3257 2822 × INFO@LUXBOX.COM
WWW.LUXBOX.COM





SHINGLE (LX-SI)

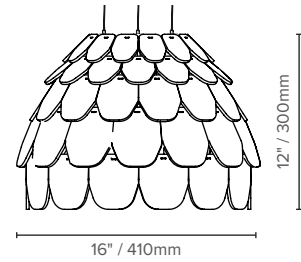
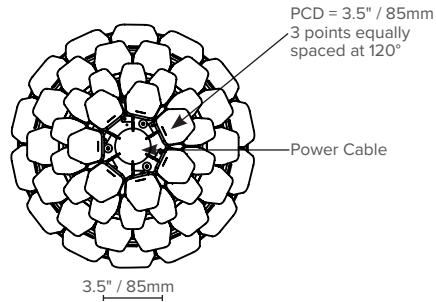
TYPE:

PRODUCT DIMENSIONS

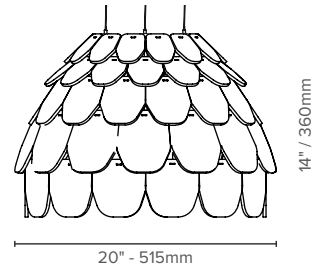
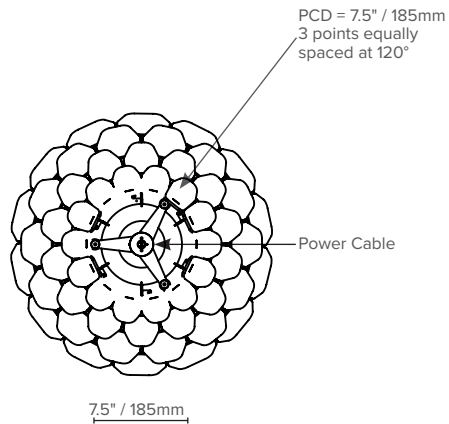
TOP VIEWS

SIDE VIEWS

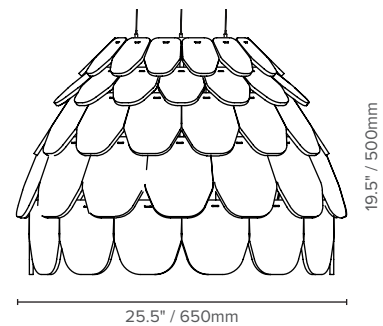
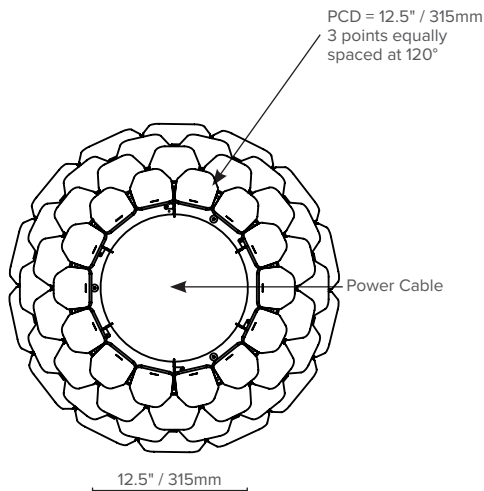
SMALL



MEDIUM



LARGE



Luxbox reserves the right to change the specification, material and colors at any time without notice. Standard warranty terms and conditions apply. All rights reserved. © June 2019 Ver 2.2
All dimensions and values on specification sheet are nominal.



LUXBOX USA INC × (P)+1 (415) 871 0448 × USA@LUXBOX.COM
LUXBOX PTY LTD × (P)+61 7 3257 2822 × INFO@LUXBOX.COM
WWW.LUXBOX.COM

