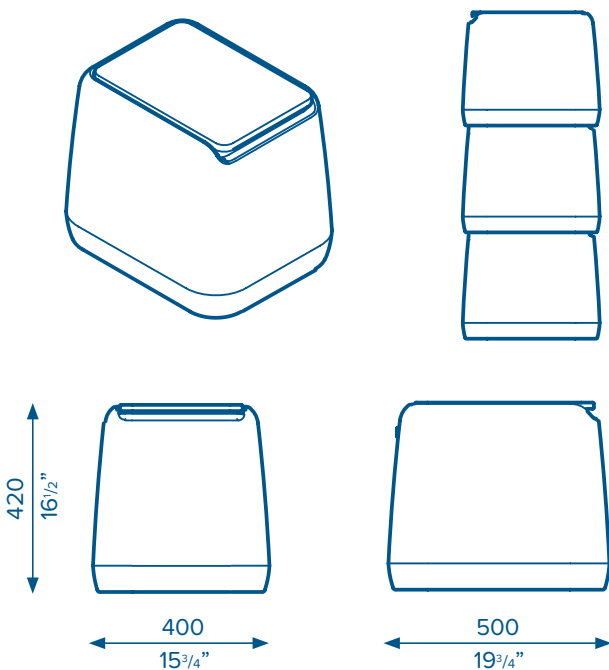
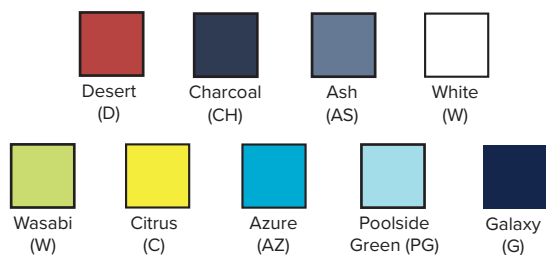




WALLIE



STANDARD BODY COLORS



Further colors available - contact Luxxbox

WALLIE

Wallie takes personal office storage to the next level.

Pinching the best features of the simple stool it adds lockable storage, colour options, castors, upholstered tops and more. Who could resist this fizzy treat?

KEY FEATURES

- Movable personal storage
- Rollaway seating
- UV stable LDPE base
- Soft close hinges
- Customisable colours and top options - timber / upholstery
- Stackable
- Optional Castors
- Optional 360 degree swivel handle
- Optional Locking

HOW TO SPECIFY

LX-WA-(Base Color)-(Top)

Base Colour	Top
See colour table	N = Natural
	U = Upholstered

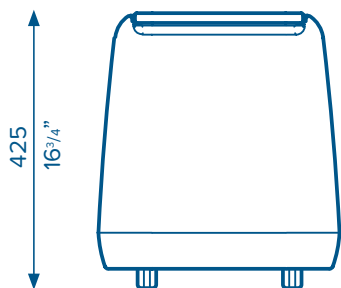
Example: **LX-WA-D-N** = Luxxbox Wallie with a Desert red color body, solid timber top.



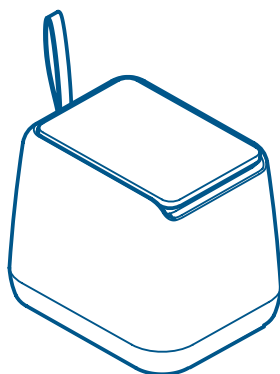
WALLIE

WALLIE ACCESSORIES

Add-on accessories to make sure you get the most out of your Wallie.



- A** Castors
LX-WA-ACC-CA
Four screw-in swivel castors.
Black



- B** Strap
LX-WA-ACC-ST
360 degree swivel
Leather strap with stitching detail.



- C** Lock
LX-WA-ACC-LK
Secure your storage with a lock and key.
(Not available with Upholstered Top)

Luxxbox reserves the right to change the specification, material and colours at any time without notice. Standard warranty terms and conditions apply. Luxxbox Pty Ltd ACN 123 193 788. All rights reserved. © Aug 2017. Ver 1.4.

LUXXBOX PTY LTD × ACN 123 193 788 × 43 KENYON ST EAGLE FARM QLD 4009 AUSTRALIA
P +61 7 3257 2822 × F +61 7 3257 2844 × INFO@LUXXBOX.COM × LUXXBOX.COM

