

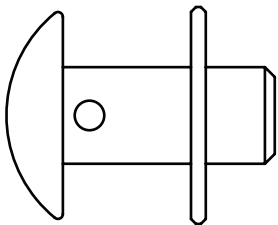
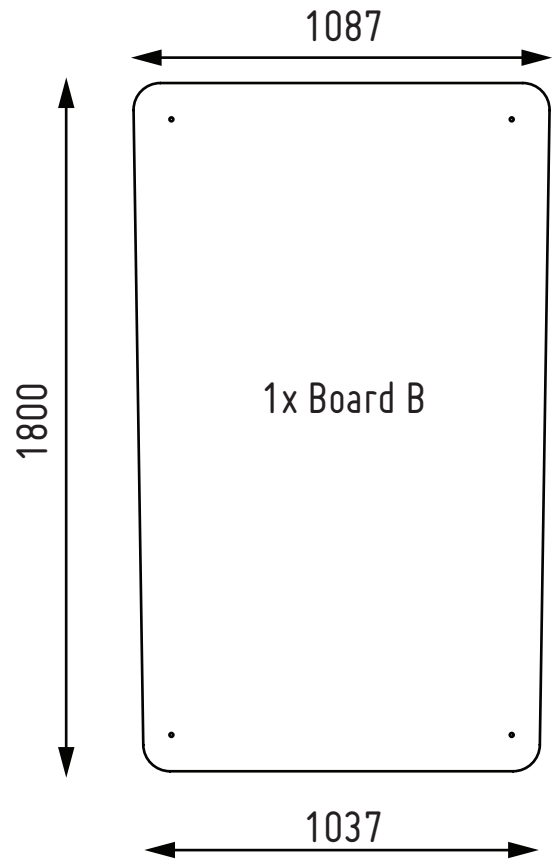
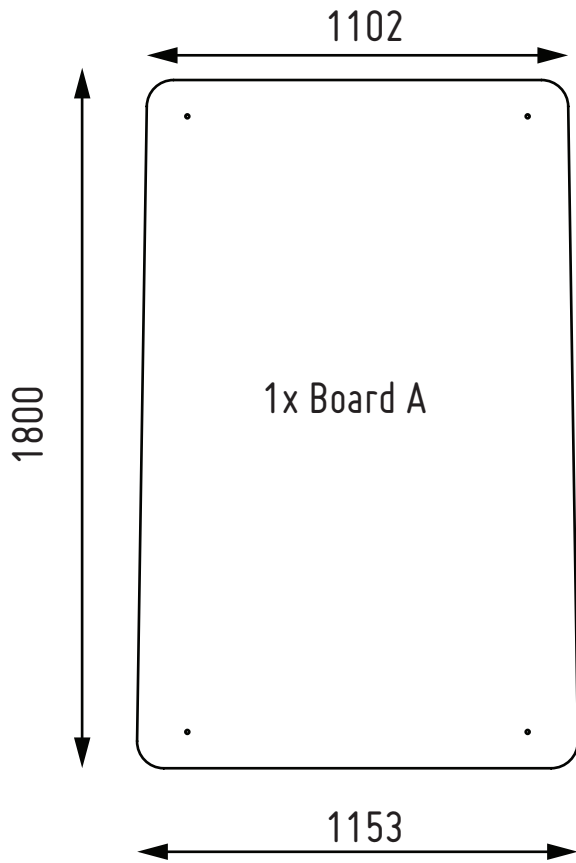
Pictured with internal shelf and basket

wedge thought board

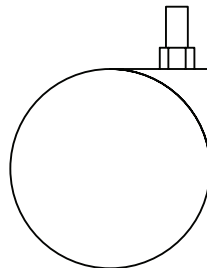
1/66 McLachlan Street
Fortitude Valley Q 4006 Australia
P +61 7 3310 4767
F +617 3310 4748
luxxbox.com
info@luxxbox.com



Wedge Thought Board - Parts List



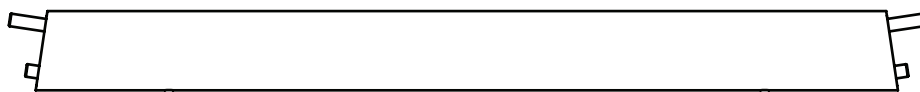
8x Hook Buttons



4x Lockable Wheels



2x Top Joiners



2x Bottom Joiners

NOTE: Before assembly find a soft clean surface to lay the boards down on. This will help prevent damage to the presentation faces.

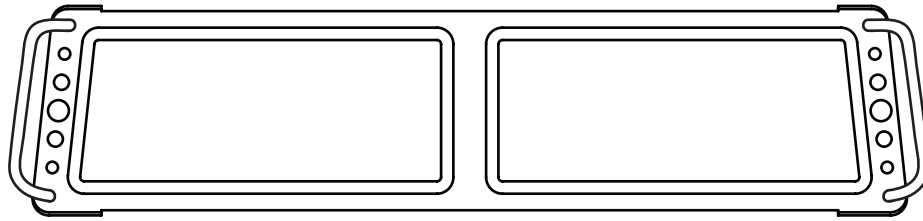
wedge thought board

1/66 McLachlan Street
Fortitude Valley Q 4006 Australia
P +61 7 3310 4767
F +617 3310 4748
luxxbox.com
info@luxxbox.com



Accessories – Parts List

Internal Shelf



1x Shelf

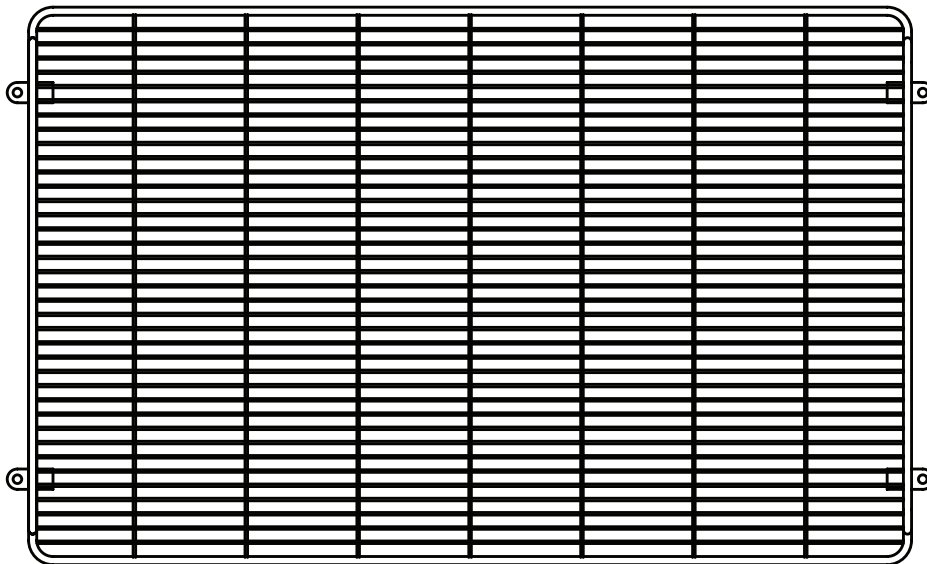


2x Mounting Brackets



18x Screws

Basket



1x Wire Basket



2x Screws

wedge thought board

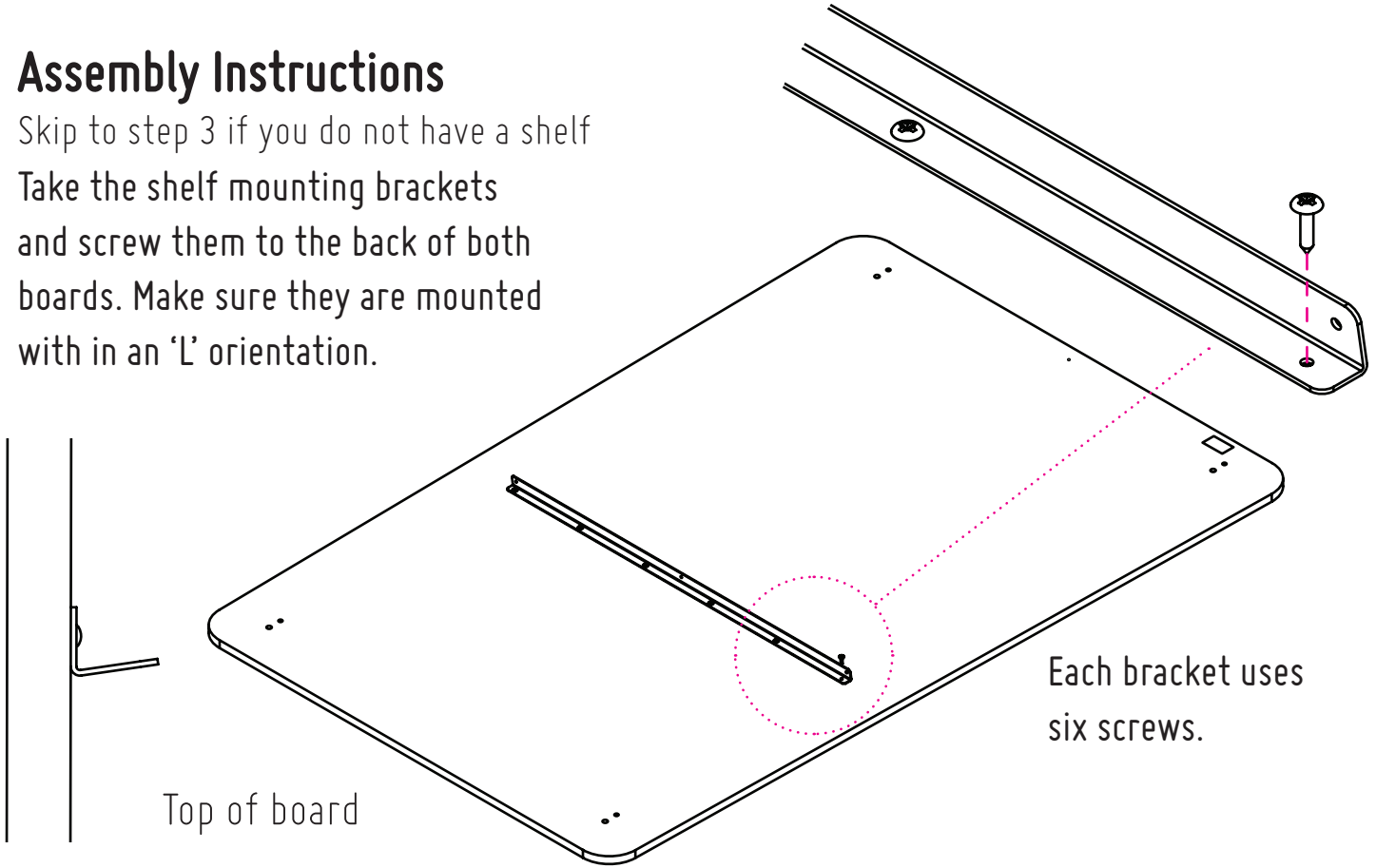
1/66 McLachlan Street
Fortitude Valley Q 4006 Australia
P +61 7 3310 4767
F +617 3310 4748
luxxbox.com
info@luxxbox.com



1 Assembly Instructions

Skip to step 3 if you do not have a shelf

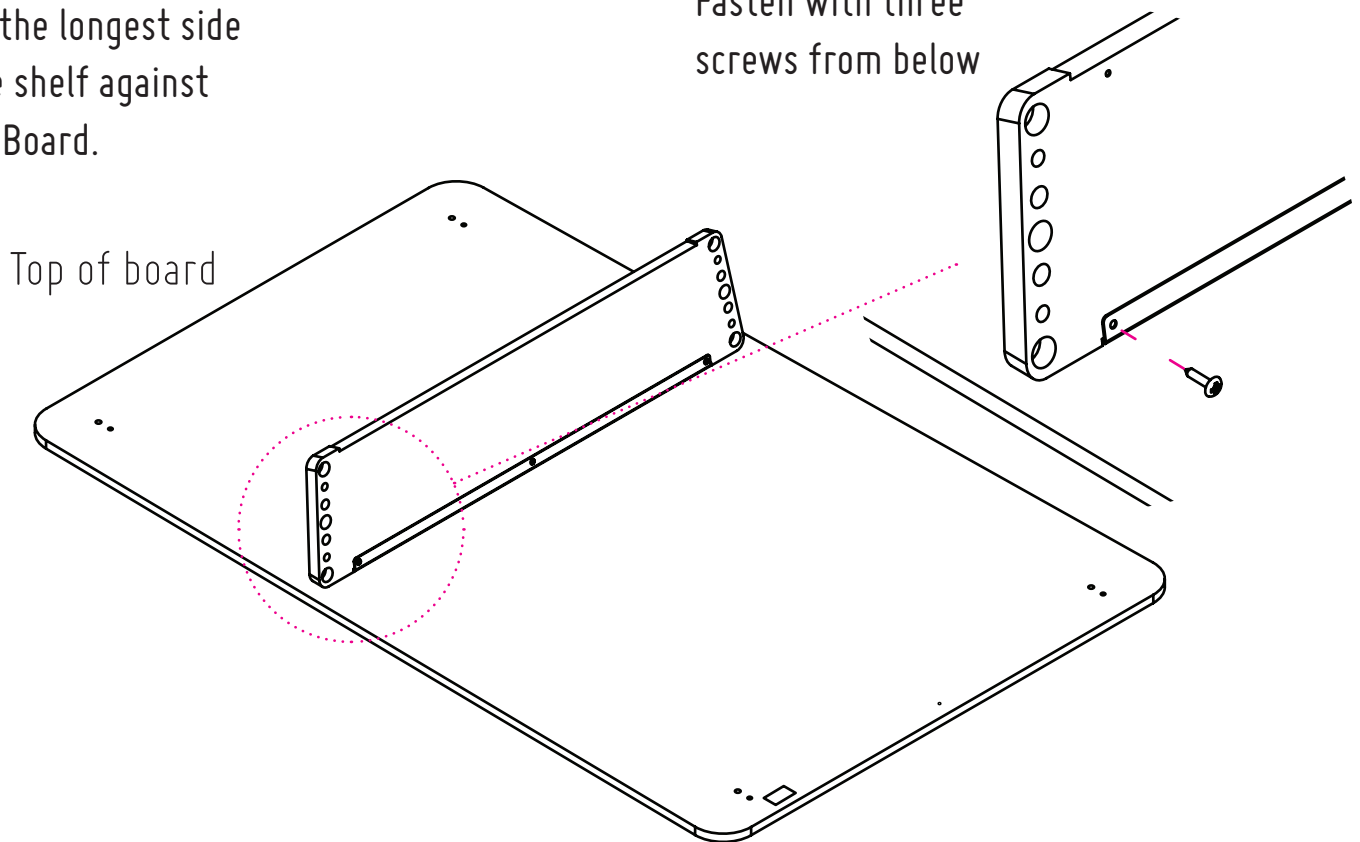
Take the shelf mounting brackets and screw them to the back of both boards. Make sure they are mounted with in an 'L' orientation.



2

Align the longest side of the shelf against the A Board.

Fasten with three screws from below



wedge thought board

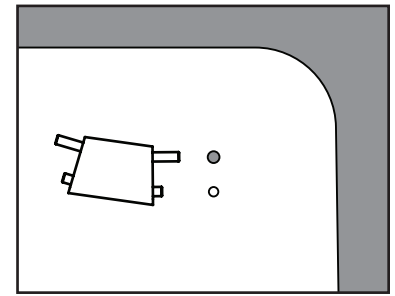
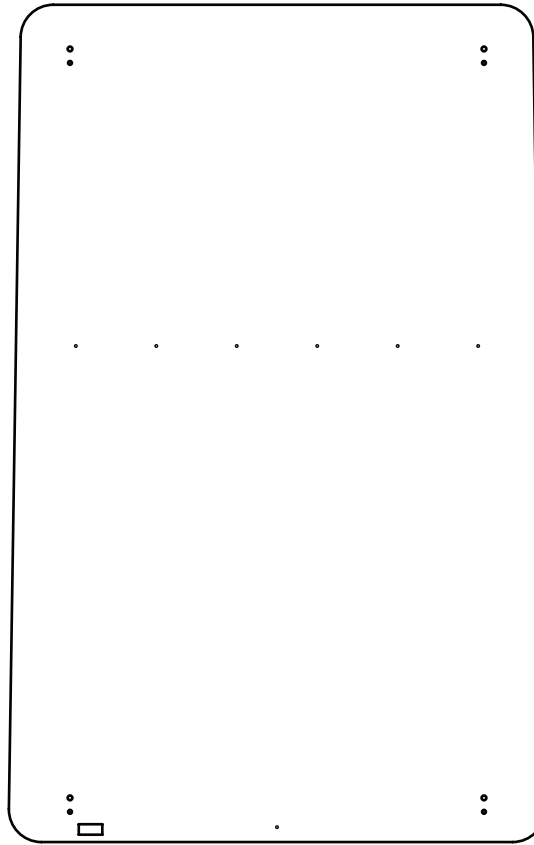
1/66 McLachlan Street
Fortitude Valley Q 4006 Australia
P +61 7 3310 4767
F +617 3310 4748
luxxbox.com
info@luxxbox.com



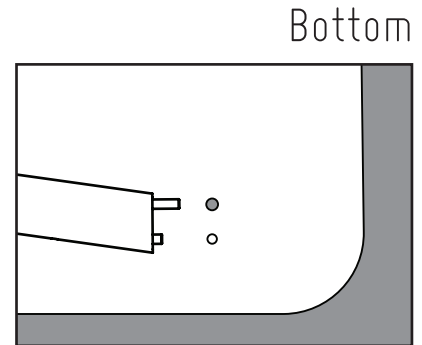
3

The shorter joiner goes through the holes at the top of the board.

The longer joiner goes through the bottom.

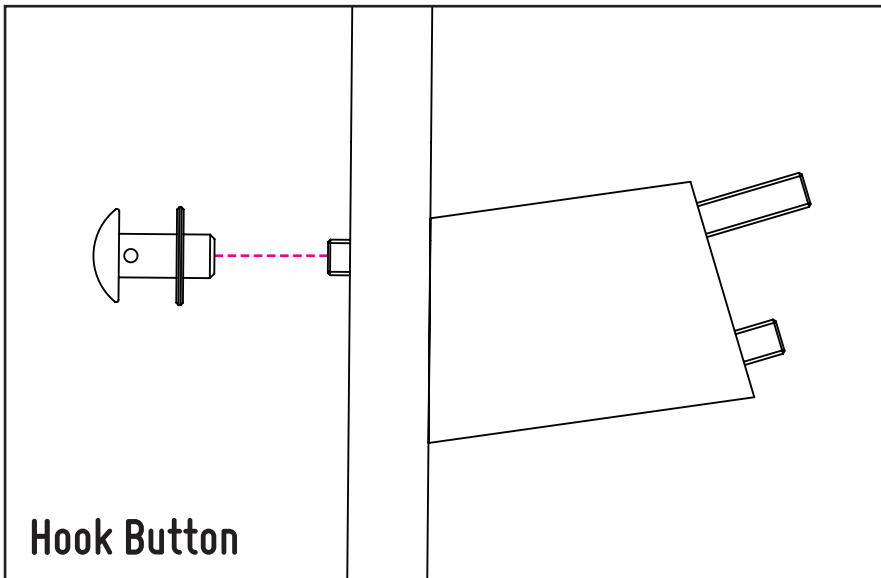


Top



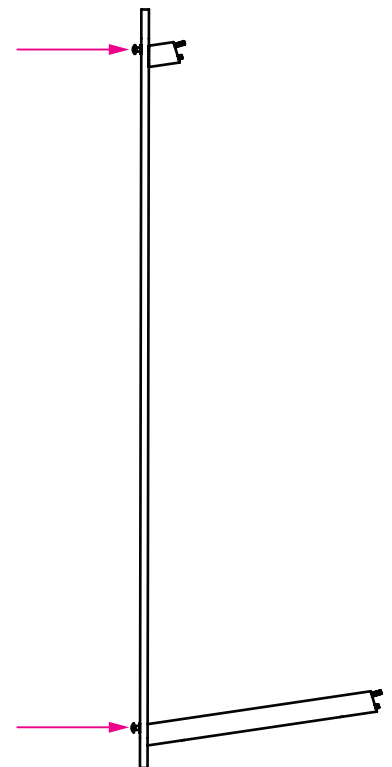
Bottom

4



Hook Button

Screw on two Hook Buttons at the top and two at the bottom. These will hold the top and bottom joiners in place. Slide an allen key through the Hook Button hole and tighten.



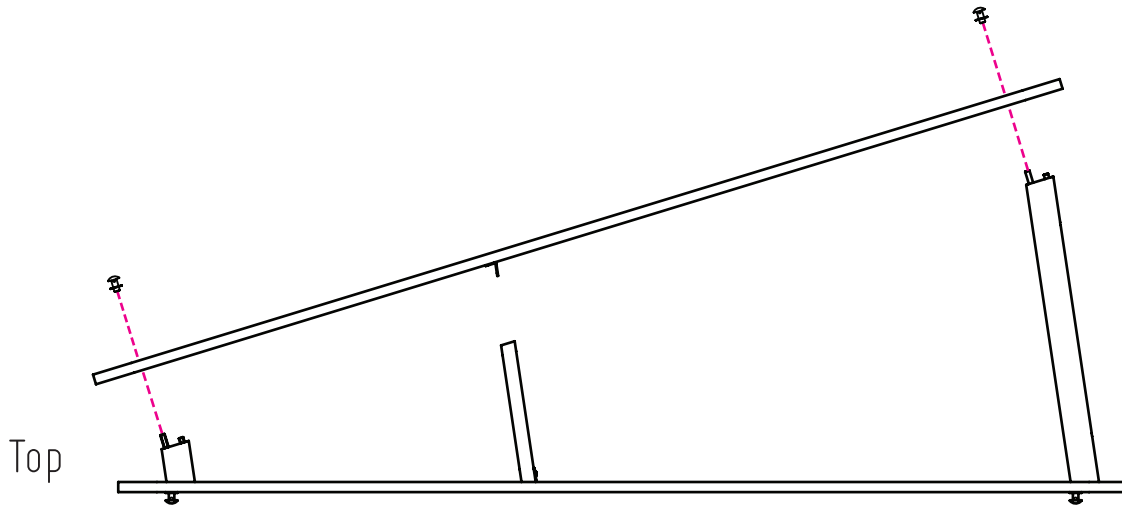
wedge thought board

1/66 McLachlan Street
 Fortitude Valley Q 4006 Australia
 P +61 7 3310 4767
 F +617 3310 4748
 luxxbox.com
 info@luxxbox.com



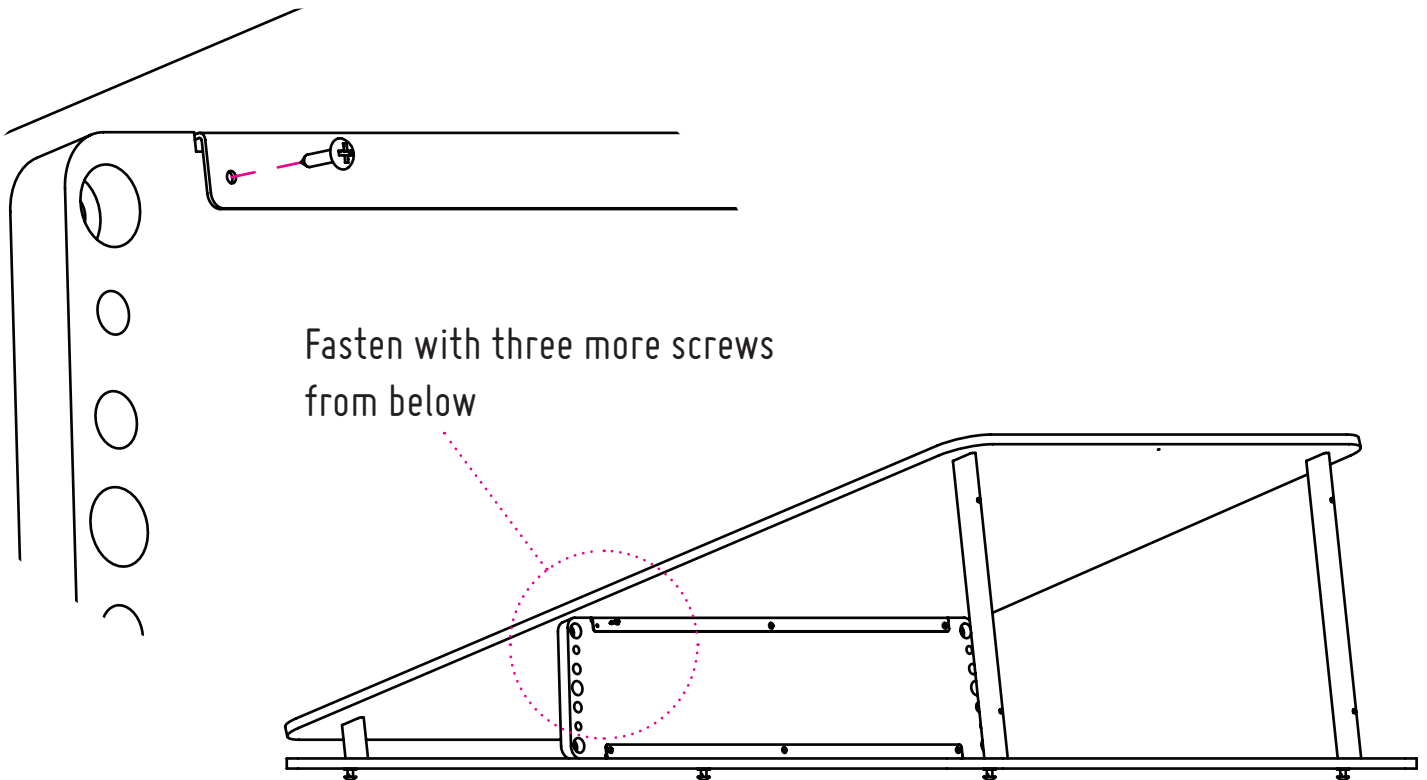
5

Find a friend.



Place the second board onto the joiners making sure to align the shorter screws of the joiners with the partial depth hole. Ensure the shelf bracket is beneath the shelf during positioning.

6 Skip this step if you do not have a shelf.



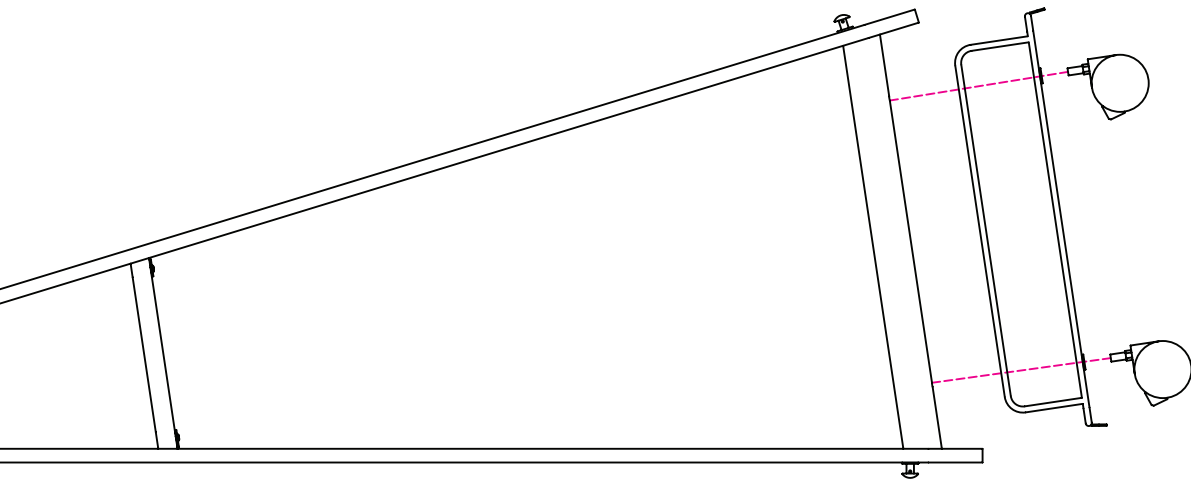
wedge thought board

1/66 McLachlan Street
Fortitude Valley Q 4006 Australia
P +61 7 3310 4767
F +617 3310 4748
luxxbox.com
info@luxxbox.com



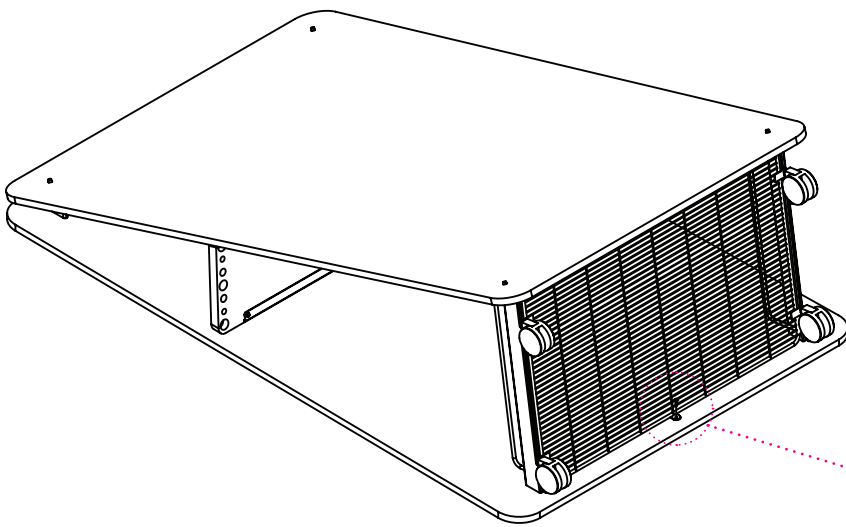
7

Screw in the four wheels.

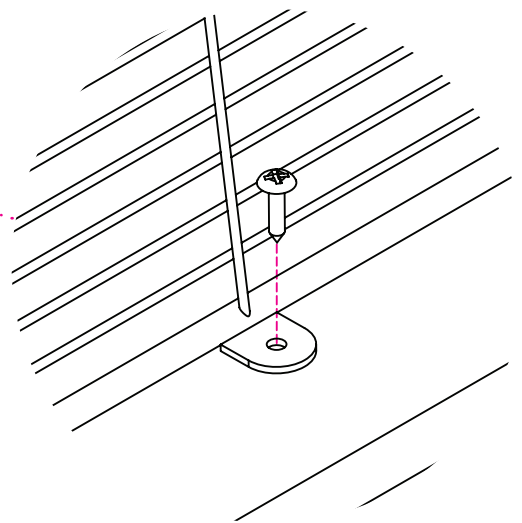


If you have a basket use the wheels to fasten it in place.

8 Skip this step if you do not have a basket



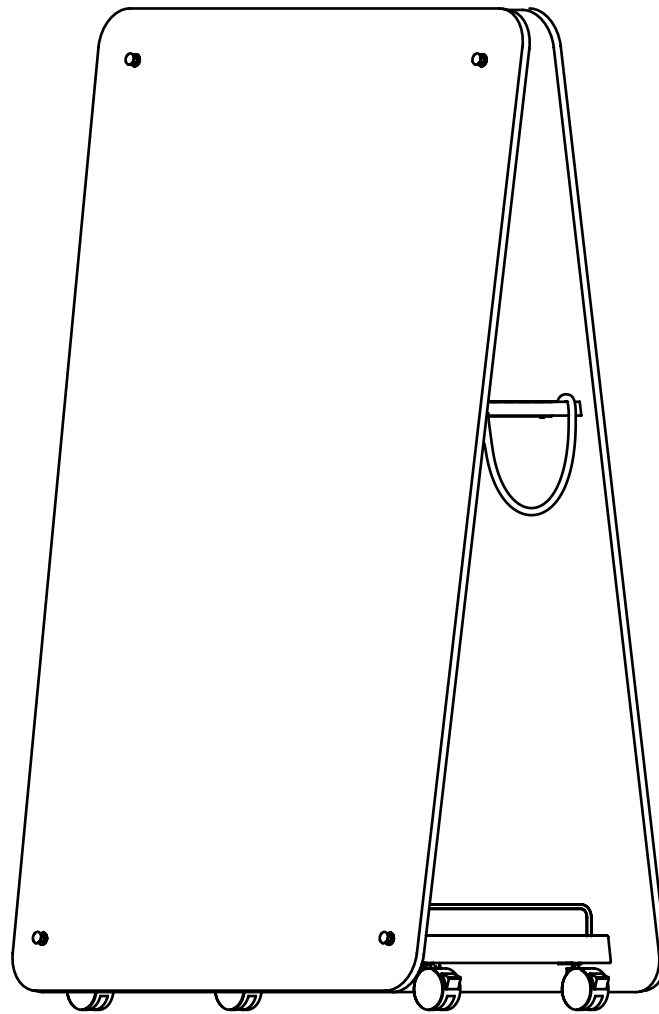
Fasten the basket in place with a screw into both boards.



wedge thought board

1/66 McLachlan Street
Fortitude Valley Q 4006 Australia
P +61 7 3310 4767
F +617 3310 4748
luxxbox.com
info@luxxbox.com





... and stand up, finished!

wedge thought board

1/66 McLachlan Street
Fortitude Valley Q 4006 Australia
P +61 7 3310 4767
F +617 3310 4748
luxxbox.com
info@luxxbox.com

