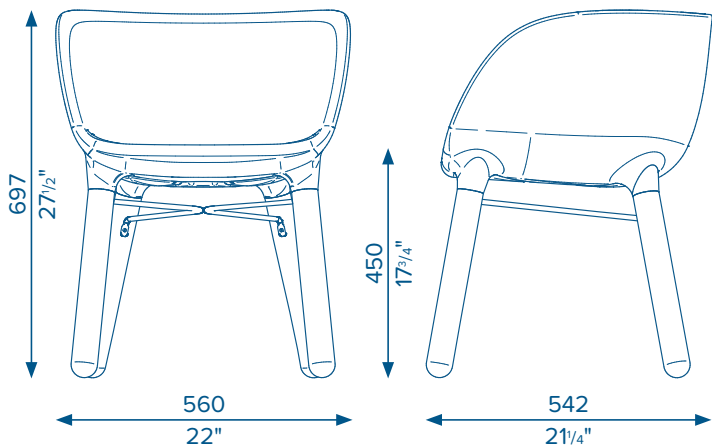
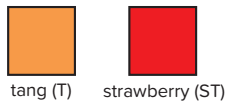
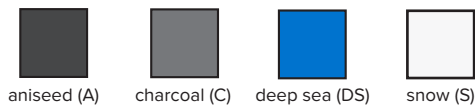




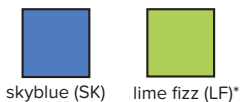
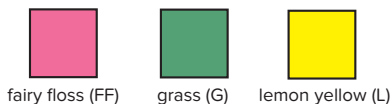
PILLOW CHAIR



Standard Range



Subject to Availability



* not available in USA

With a selection of seat colours and leg finishes available, Pillow is one versatile chair. Upholstered fabric can be added to this deceptively comfortable wraparound seat.

KEY FEATURES

- Choice of many seat colours, and two leg finishes
- Sturdy LDPE seat
- Solid timber legs
- Hardwearing and durable chair surface
- Seat upholstery available

HOW TO SPECIFY

LX-PC-(Seat)-(Leg Finish)

Seat Finish	Leg Finish
Colour (please specify)	N = Natural
UF = Upholstered Fabric	B = Black Stain

Example: LX-PC-A-N = Luxxbox Pillow Chair, aniseed seat, natural leg finish

Note: A Pillow Chair requires 1.3m of fabric. Due to the nature of the product, Luxxbox only uses Instyle Feel and Kvadrat Divina. Other fabrics specified by clients will incur a prototyping fee please contact Luxxbox if you want upholstery.

Note: Pillow chair with screw in wooden legs is designed for light duty applications. Please contact Luxxbox for custom configurations suitable for heavy duty applications. Pillow Chair has a maximum load rating of 100kg.

Luxxbox reserves the right to change the specification, material and colours at any time without notice. Standard warranty terms and conditions apply. Luxxbox Pty Ltd ACN 123 193 788. All rights reserved. © Jun 2017. Ver 1.0.

LUXXBOX PTY LTD × ACN 123 193 788 × 43 KENYON ST EAGLE FARM QLD 4009 AUSTRALIA
P +61 7 3257 2822 × F +61 7 3257 2844 × INFO@LUXXBOX.COM × LUXXBOX.COM

