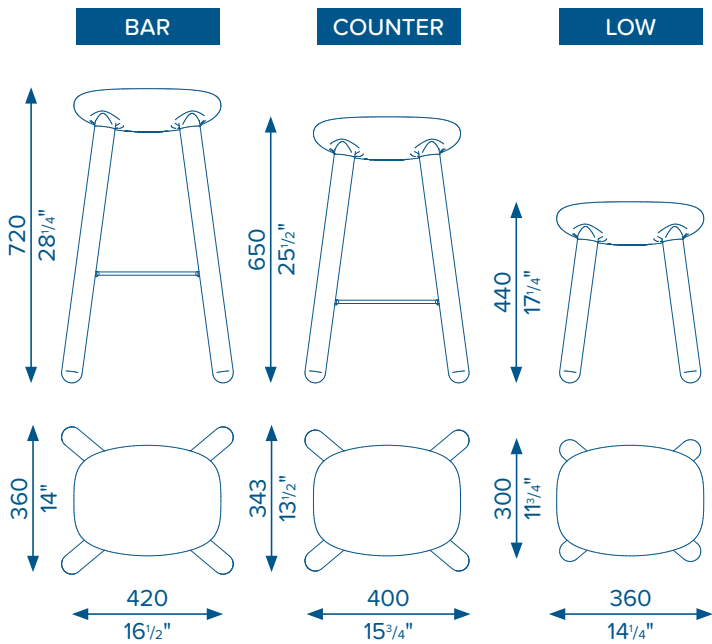
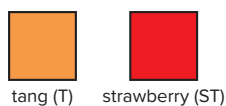
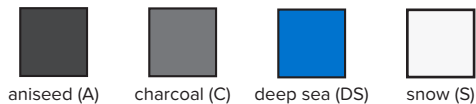




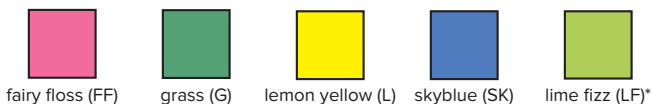
PILLOW STOOL



Standard Range



Subject to Availability



* not available in USA

Although appearing like a delicately puffed-up cushion, the solid timber legs betray the Pillow stool's robust design. With playful colours and organic curves, the Pillow will undoubtedly attract second glances wherever they are placed. A choice of high and low stools, an array of standard LDPE seat colours and two leg finish options means there will always be a combination to suit.

KEY FEATURES

- Choice of many seat colours, and two leg finishes
- Sturdy LDPE seat
- Solid timber legs
- Hardwearing and durable chair surface
- Available in three heights
- Designed and made in Australia

HOW TO SPECIFY

LX-PS-(Height)-(Seat)-(Leg Finish)

Stool Height	Stool Finish	Leg Finish
U = Low Stool	Colour (please specify)	N = Natural
CS = Counter Stool		B = Black Stain
BS = Bar Stool		

Example: LX-PS-U-A-N = Luxxbox Pillow Stool, low height, aniseed stool, natural leg finish

Note: Pillow Stool with screw in wooden legs is designed for light duty applications. Please contact Luxxbox for custom configurations suitable for heavy duty applications. Pillow Stool has a maximum load rating of 100kg.

Luxxbox reserves the right to change the specification, material and colours at any time without notice. Standard warranty terms and conditions apply. Luxxbox Pty Ltd ACN 123 193 788. All rights reserved. © Jul 2017. Ver 1.0.

LUXXBOX PTY LTD × ACN 123 193 788 × 43 KENYON ST EAGLE FARM QLD 4009 AUSTRALIA
P +61 7 3257 2822 × F +61 7 3257 2844 × INFO@LUXXBOX.COM × LUXXBOX.COM

