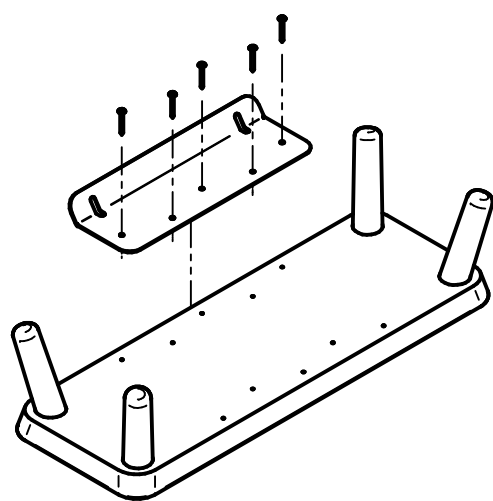
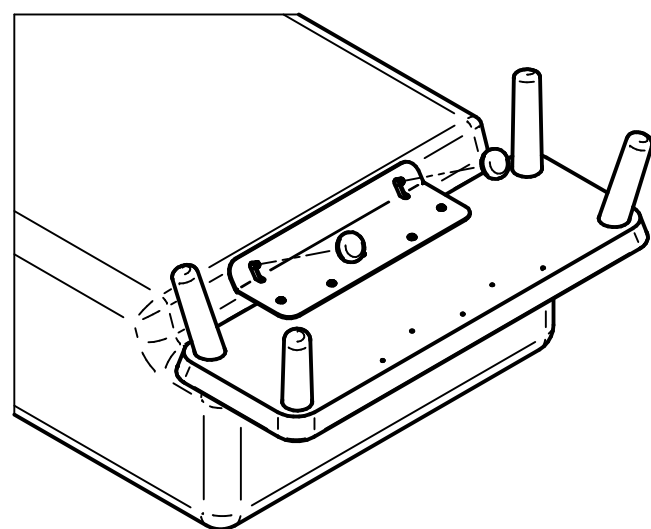


# PODIA GENERAL ASSEMBLY INSTRUCTIONS



## STEP 1

Flip podium over, placing on a soft, clean surface so it is not damaged. Mount connection plate onto the underside of the podium using provided timber screws.

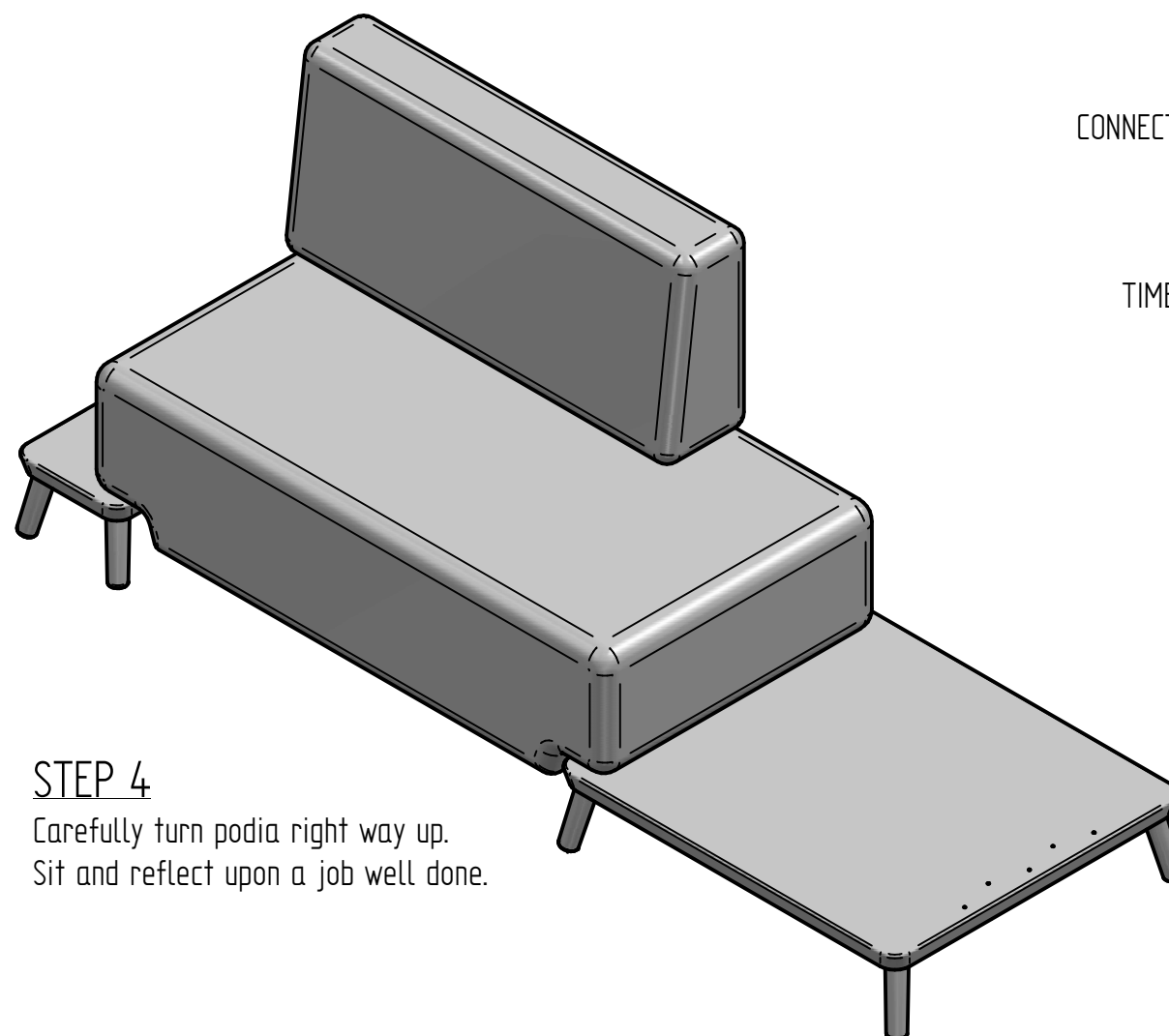
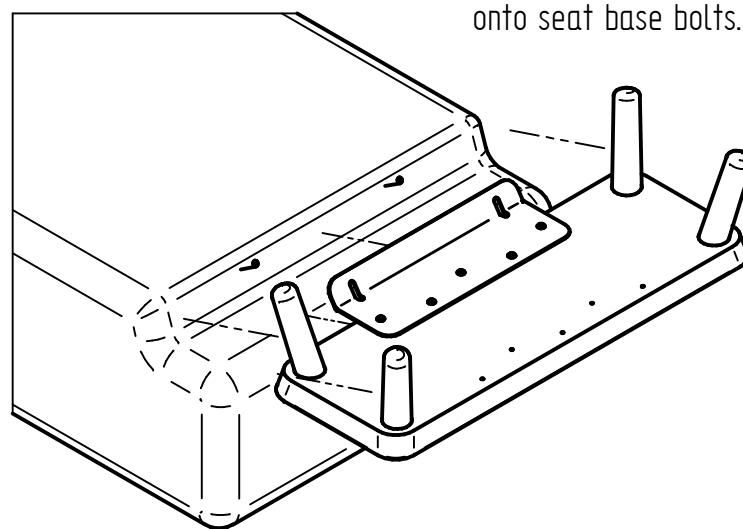


## STEP 3

Make sure base bolts are positioned at top of slots in mounting plate and podium is hard up against seat base. Firmly tighten hand nuts.

## STEP 2

Flip seat base over, placing on a soft, clean surface so it is not damaged. Position podium and connection plate onto seat base bolts.

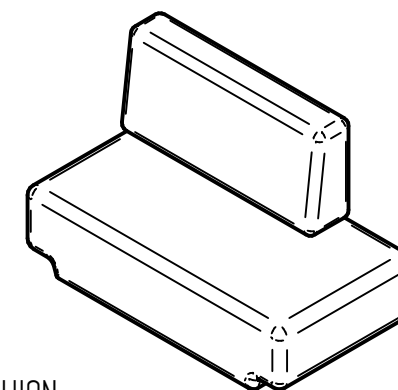


## STEP 4

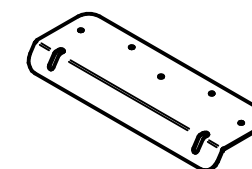
Carefully turn podia right way up. Sit and reflect upon a job well done.

## PARTS:

SEAT & CUSHION:



CONNECTION PLATE:



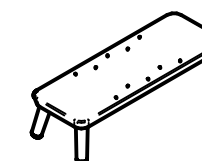
TIMBER SCREW:



HAND NUT:



PODIUM:



luxxbox pty ltd

1/66 McLachlan Street, Qld 4006  
Australia

p+61 (0)7 3257 2822

f+61 (0)7 3257 2844

[www.luxxbox.com](http://www.luxxbox.com)

copyright 2015, all rights reserved.  
Designs are the property of Luxxbox  
Pty Ltd and can not be used or  
reproduced without expressed written  
permission.  
abn 59123193788