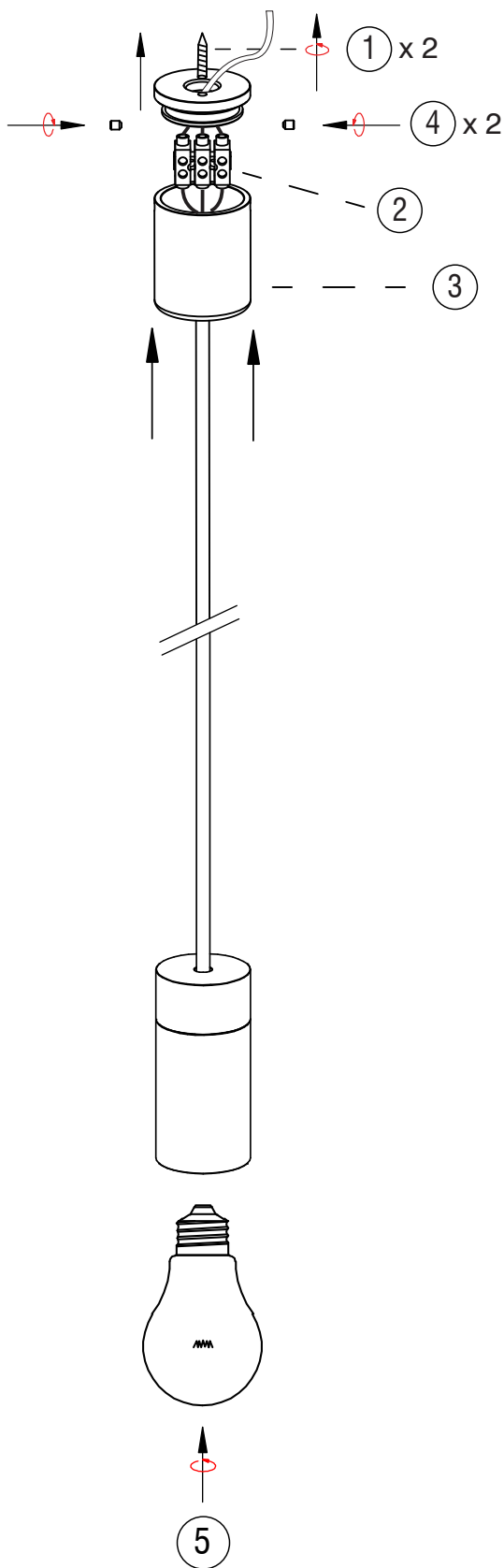


NULL pendant installation guide



Max. 60W ES Lamp
Line voltage must be installed by a qualified electrician,
in accordance with local electrical laws

1/66 McLachlan Street Fortitude Valley Q Australia 4006
p +61 7 3257 2822 f +61 7 3257 2844
info@luxxbox.com www.luxxbox.com

