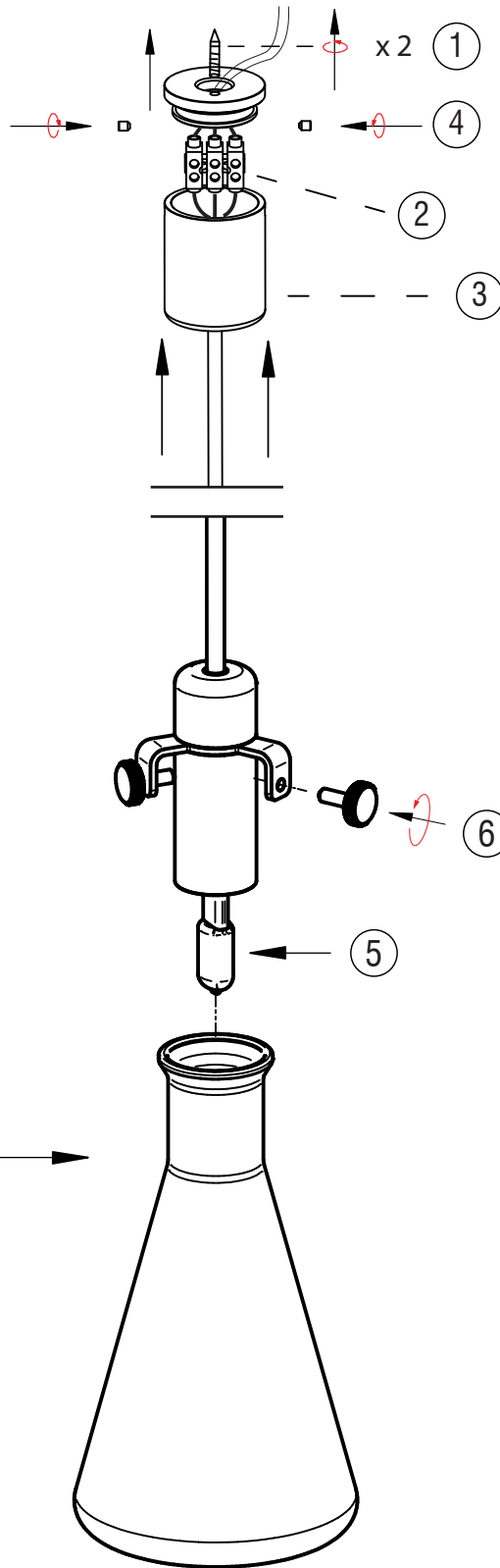


PHlask

pendant light installation instructions



Size supplied may differ from that shown

G9 HALOGEN LAMP
25W MAX RECOMMENDED

Line voltage must be installed by a qualified
Electrician, in accordance with local electrical laws

1/66 McLachlan Street, Fortitude Valley Q Australia 4006
P +61 7 3257 2822 F +61 7 3257 2844
info@luxxbox.com luxxbox.com

