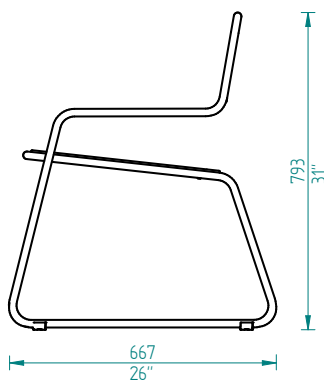
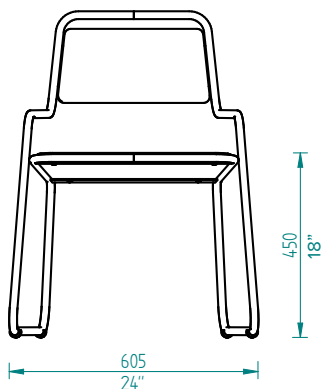
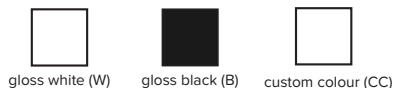




SOUTH CHAIR



Standard Range



Formed from an infinite tube loop that seems to defy gravity, the South Chair has clean lines and sophistication to spare. With a sturdy steel frame, this versatile and lightweight chair won't be going South any time soon. When not in use, chairs can stack one behind the other with a physical stop to prevent wedging. The South Chair is designed for disassembly and is 100% recyclable as well as being easily serviceable with new parts during its functional life. Choose your own combination of frame and seat colours and materials to create a playful aesthetic.

KEY FEATURES

- Choice of HDPE, steel and ply veneer seat and backrest
- Available in multiple colour and material combinations
- Zinc primed steel frame, ultra strong and sturdy
- Tough polyester powder coat
- Lightweight construction for easy portability
- Steel and HDPE combinations, 99% recyclable
- Custom colours available, minimum quantity or set up charges may apply

HOW TO SPECIFY

LX-SC- (Colour) - (Material) - (Finish)

Frame Colour	Seat/Backrest Material	Seat Finish
B = Gloss Black	P = HDPE	B = Black (HDPE)
W = Gloss White	S = Slatted	W = White (HDPE)
CC = Custom Colour	V = Ply Veneer	VA = Vic Ash (Ply Veneer)
PH4 = Phase 4		

Example: **LX-SC-W-V-VA** = Luxxbox South Chair, white coloured frame, ply veneer seat and backrest with a vic ash finish