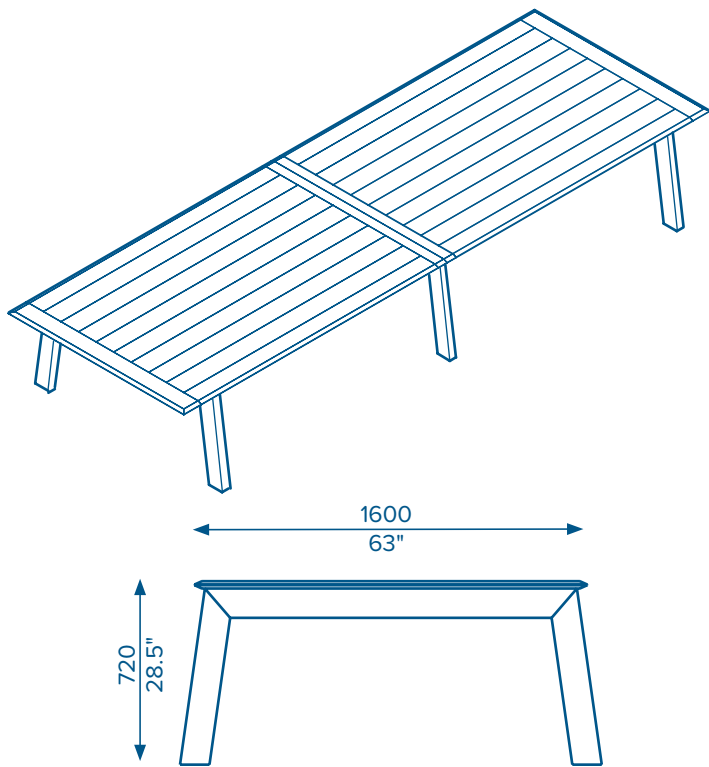




SLAB NATURAL



Slab Natural combines the best features of Luxxbox's popular Slab range with the beauty of a natural timber aesthetic. Perfect for conference rooms, customise your Slab Natural to suit any sophisticated space. A simple satin finish allows the true, natural beauty of this awe-inspiring piece to shine through.

KEY FEATURES

- 32mm thick worktop.
- Authentic natural timber aesthetic.
- Larger tables are made from sections for ease of transport.

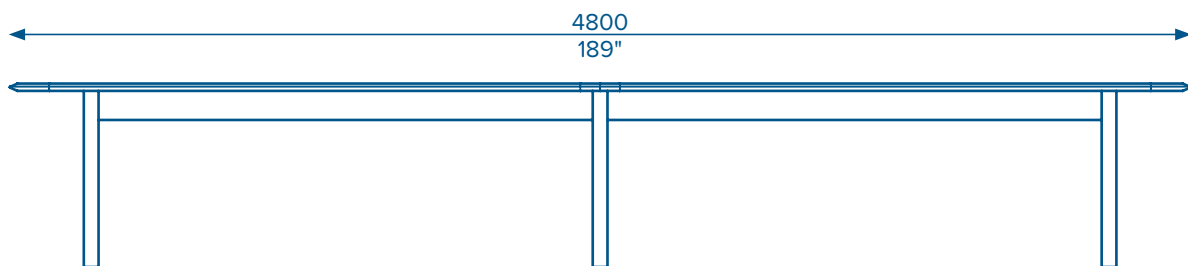
HOW TO SPECIFY

LX-SLN-(Width)-(Length)-(Timber)

Width	Length	Natural Timber
WC = Custom	LC = Custom*	AO = American Oak
		VA = Victorian Ash

Example: LX-SLN-WC(1600)-LC(4800)-AO = Luxxbox Slab Natural, 1600 W x 4800 L, American Oak.

* Lengths less than 3500mm have 4 legs
Lengths greater than 3500mm have 6 legs



Luxxbox reserves the right to change the specification, material and colours at any time without notice. Standard warranty terms and conditions apply. Luxxbox Pty Ltd ACN 123 193 788. All rights reserved. © July 2017. Ver 1.1.

LUXXBOX PTY LTD × ACN 123 193 788 × 43 KENYON ST EAGLE FARM QLD 4009 AUSTRALIA
P +61 7 3257 2822 × F +61 7 3257 2844 × INFO@LUXXBOX.COM × LUXXBOX.COM

