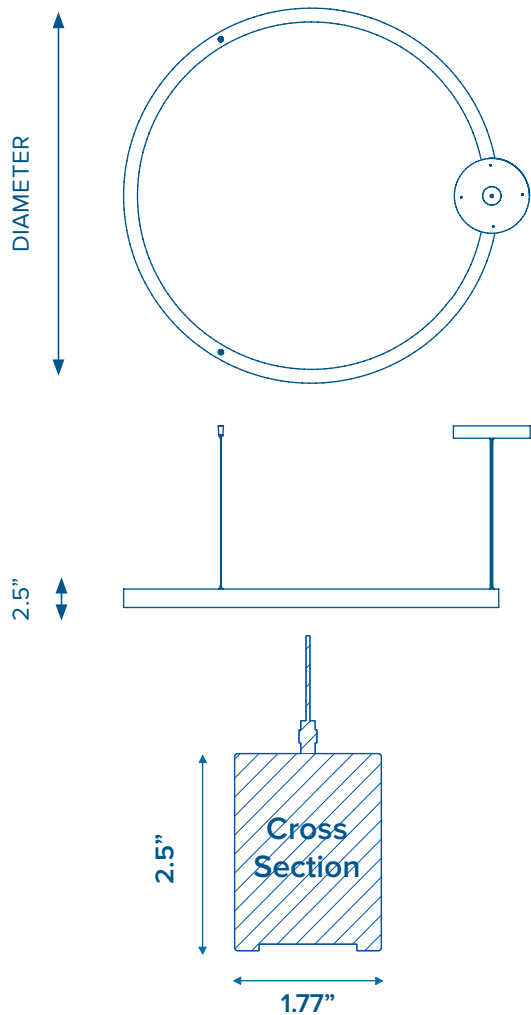




DELGADO

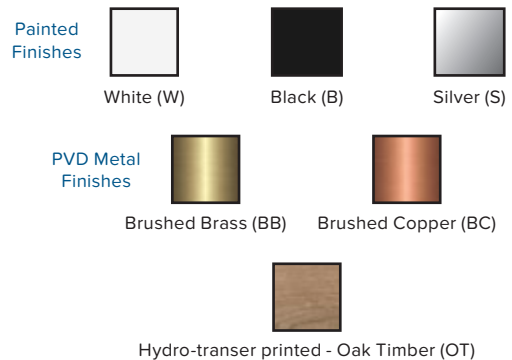


Delgado is sure to illuminate any space with its generous curves and customizable finishes. The delicate circular pendant is at home as a standalone luminaire, or arranged in clusters for maximum presence. Delgado is available in a multitude of sizes and finishes to perfectly match any interior space.

KEY FEATURES

- Available in eleven sizes
- Available in a large range of finishes
- Energy efficient LED panel
- 3000k , 3500k & 4000k color temperature options
- 9 ⁴/₅' (3 meters) suspension cables, height adjustable
- Supplied with color matched ceiling canopy
- Suitable for indoor environments
- 0-10V Dimming compatible
- Remote drivers

Standard finishes



Luxxbox reserves the right to change the specification, material and colours at any time without notice. Standard warranty terms and conditions apply. All rights reserved. © August 2018. Ver 2.3

LUXXBOX PTY LTD × ACN 123 193 788 × 43 KENYON ST EAGLE FARM QLD 4009 AUSTRALIA
 INFO@LUXXBOX.COM × LUXXBOX.COM
 +1 (415) 871 0448 × USA@LUXXBOX.COM





DELGADO

HOW TO SPECIFY

LX-DG = (Size) - (Finish) - (Color temperature) - (Upwards wash light)

Size	Finish	Colour Temperature	Upwards wash light
24 = 24" dia x 2.5" H	Specify Finish	30 = 3000k	Y = Yes (please Specify)
36 = 36" dia x 2.5" H		35 = 3500k	N = No
48 = 48" dia x 2.5" H		40 = 4000k	
60 = 60" dia x 2.5" H			
72 = 72" dia x 2.5" H			
84 = 84" dia x 2.5" H			
96 = 96" dia x 2.5" H			
108 = 108" dia x 2.5" H			
120 = 120" dia x 2.5" H			
144 = 144" dia x 2.5" H			
277 = 277" dia x 2.5" H			

Example: LX-DG-48-BB-35-Y = Delgado, 48 inch ring, brushed brass finish, 3500k LEDs, upwards wash light

NB: 0-10V dimming compatible

CONSTRUCTION AND SUSPENSION POINTS

Size	Sections	Suspension points	Direct Output	Indirect Output	Number of Drivers
24 = 24" dia x 2.5" H	complete Ring	3 suspension pts	25W, 2000lm	13W, 1040lm	D = 1 DI = 1
36 = 36" dia x 2.5" H	complete Ring	4 suspension pts	38W, 3040lm	19W, 1520lm	D = 1 DI = 1
48 = 48" dia x 2.5" H	complete Ring	4 suspension pts	50W, 4000lm	25W, 2000lm	D = 1 DI = 1
60 = 60" dia x 2.5" H	complete Ring	4 suspension pts	60W, 4800lm	30W, 2400lm	D = 1 DI = 2
72 = 72" dia x 2.5" H	complete Ring	6 suspension pts	75W, 6000lm	TBC	D = 1 DI = TBC
84 = 84" dia x 2.5" H	3	9 suspension pts	87W, 6960lm	TBC	D = 2 DI = TBC
96 = 96" dia x 2.5" H	3	9 suspension pts	100W, 8000lm	TBC	D = 2 DI = TBC
108 = 108" dia x 2.5" H	3	9 suspension pts	112W, 8960lm	TBC	D = 2 DI = TBC
120 = 120" dia x 2.5" H	3	9 suspension pts	125W, 10000lm	TBC	D = 2 DI = TBC
144 = 144" dia x 2.5" H	3	9 suspension pts	150W, 12000lm	TBC	D = 2 DI = TBC
277 = 277" dia x 2.5" H	3	9 suspension pts	300W 21533lm	TBC	D = 4 DI = TBC

Luxxbox reserves the right to change the specification, material and colours at any time without notice. Standard warranty terms and conditions apply. All rights reserved. © August 2018. Ver 2.3

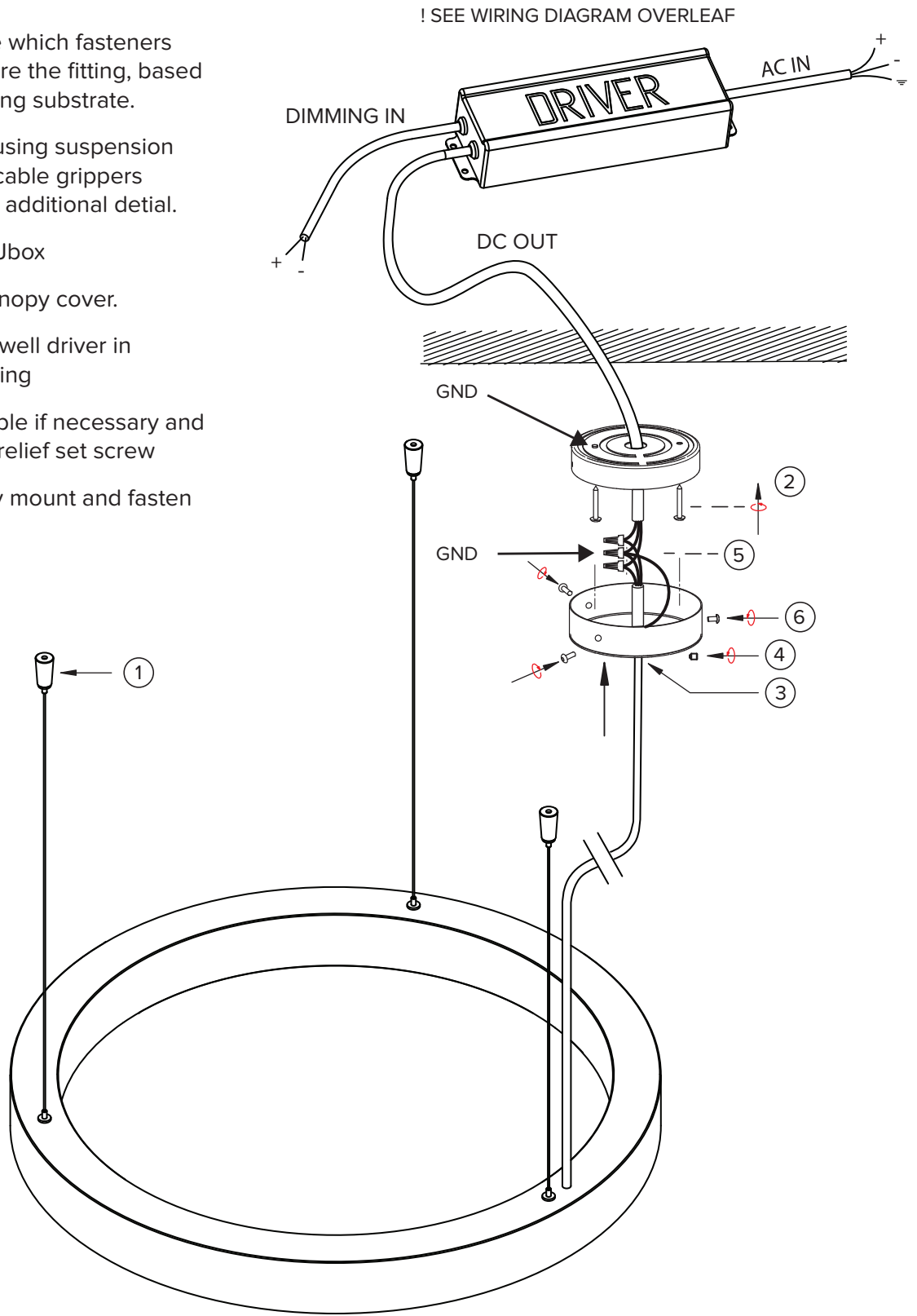
LUXXBOX PTY LTD × ACN 123 193 788 × 43 KENYON ST EAGLE FARM QLD 4009 AUSTRALIA
 INFO@LUXXBOX.COM × LUXXBOX.COM
 +1 (415) 871 0448 × USA@LUXXBOX.COM



DELGADO INSTALLATION

⚠ Before starting, determine which fasteners will be best suited to secure the fitting, based on the material of the ceiling substrate.

1. Suspend and level fitting using suspension hardware and adjustable cable grippers provided. See overleaf for additional detail.
2. Mount canopy base to 4" Jbox
3. Insert power cable into canopy cover.
4. Terminate 24V from Meanwell driver in canopy and connect to fitting
5. Adjust length of power cable if necessary and fasten power cable strain relief set screw
6. Place canopy over canopy mount and fasten 3x screws to hold in place

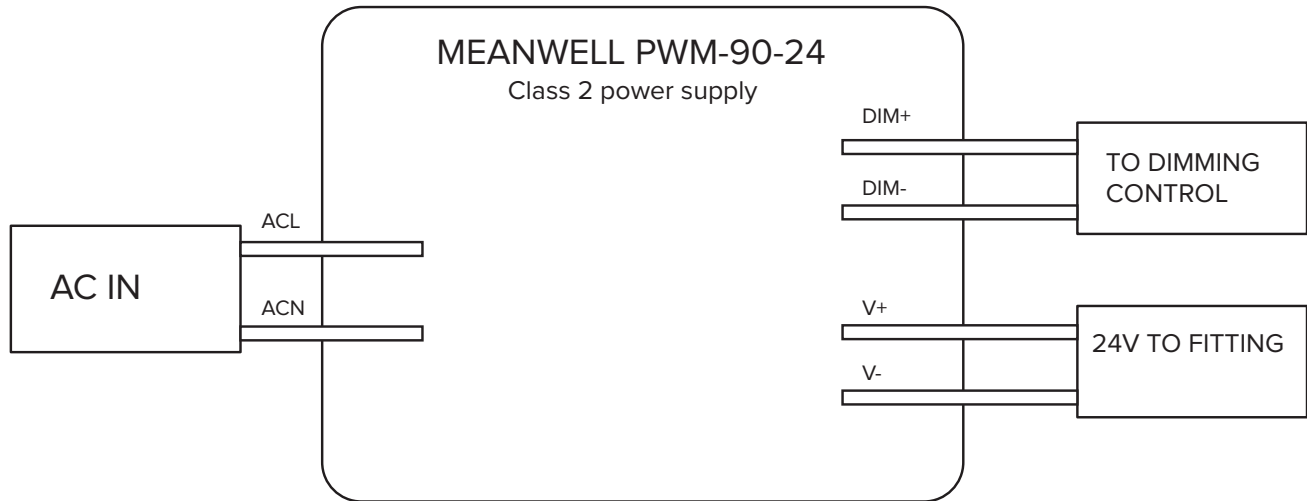


Luxxbox reserves the right to change the specification, material and colours at any time without notice. Standard warranty terms and conditions apply. All rights reserved. © August 2018. Ver 2.3

LUXXBOX PTY LTD × ACN 123 193 788 × 43 KENYON ST EAGLE FARM QLD 4009 AUSTRALIA
INFO@LUXXBOX.COM × LUXXBOX.COM
+1 (415) 871 0448 × USA@LUXXBOX.COM



WIRING DIAGRAM



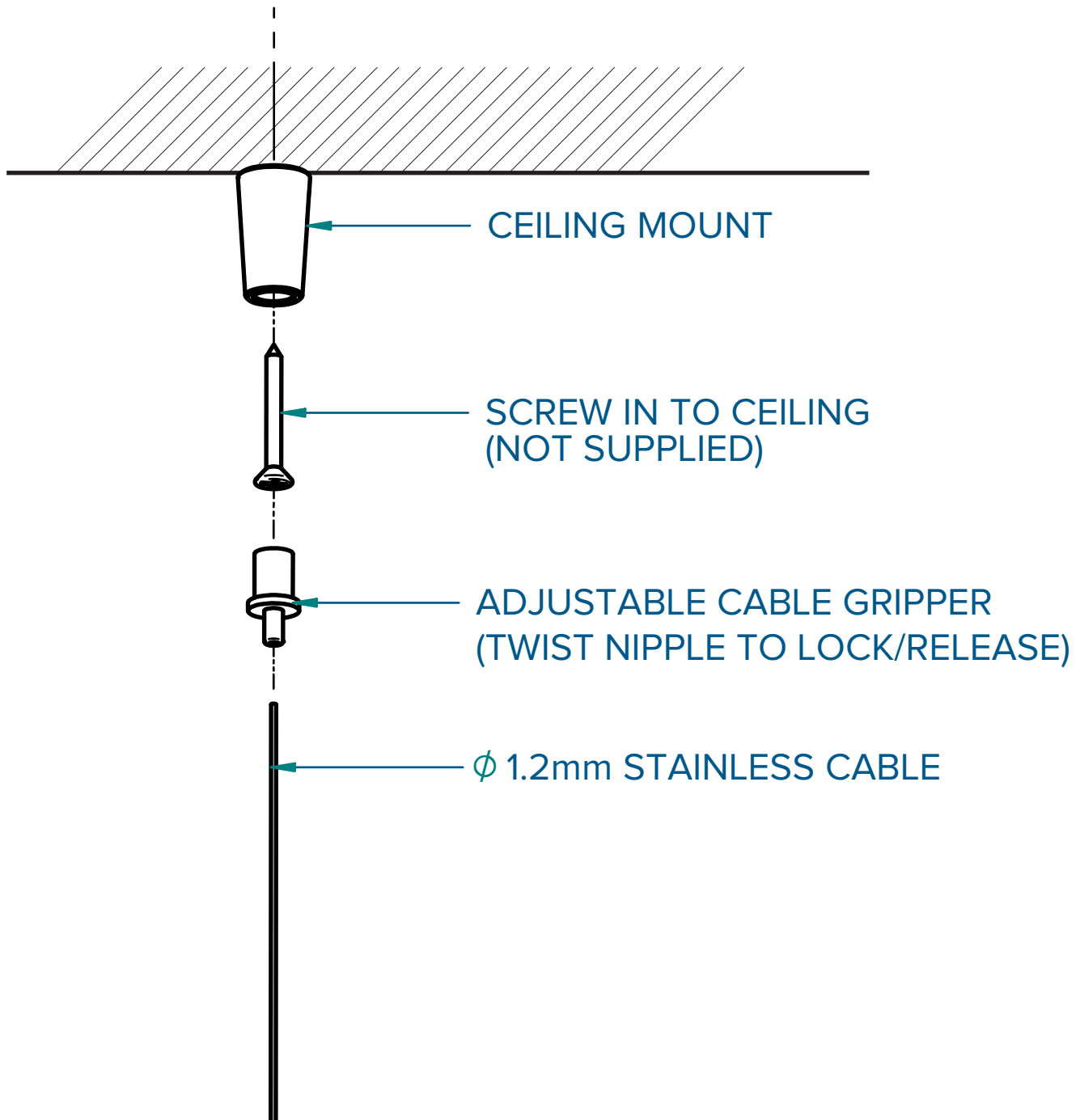
! Note: refer to labels on driver for reference to wire colours

Luxxbox reserves the right to change the specification, material and colours at any time without notice. Standard warranty terms and conditions apply.
All rights reserved. © August 2018. Ver 2.3

LUXXBOX PTY LTD × ACN 123 193 788 × 43 KENYON ST EAGLE FARM QLD 4009 AUSTRALIA
INFO@LUXXBOX.COM × LUXXBOX.COM
+1 (415) 871 0448 × USA@LUXXBOX.COM



DELGADO INSTALLATION



Luxxbox reserves the right to change the specification, material and colours at any time without notice. Standard warranty terms and conditions apply. All rights reserved. © August 2018. Ver 2.3

LUXXBOX PTY LTD × ACN 123 193 788 × 43 KENYON ST EAGLE FARM QLD 4009 AUSTRALIA
INFO@LUXXBOX.COM × LUXXBOX.COM
+1 (415) 871 0448 × USA@LUXXBOX.COM

