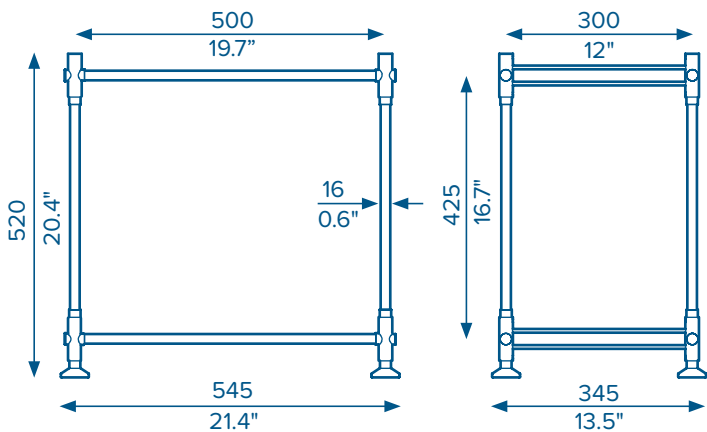




# SHELF 1

## TYPICAL MODULE



Shelf 1 is a design that oozes cubular appeal. It can be easily reconfigured on a whim to divide an open plan space into smaller collaborative zones.

The unit can act as a room divider, storage system, a bookshelf and sound-management tool all at once, by simply moving accessories or flipping sound-absorbing panels from side to side. Other accessories include planter boxes and flexible, light-duty shelves.

## KEY FEATURES

- Aluminium and timber for sleek and lightweight construction.
- Configurable in both width and height.
- Can be fastened to floor and/or suspended from ceiling. (Required for large assemblies).
- Foot is height adjustable.
- Accessories can be fitted quickly without fasteners and moved between modules easily.

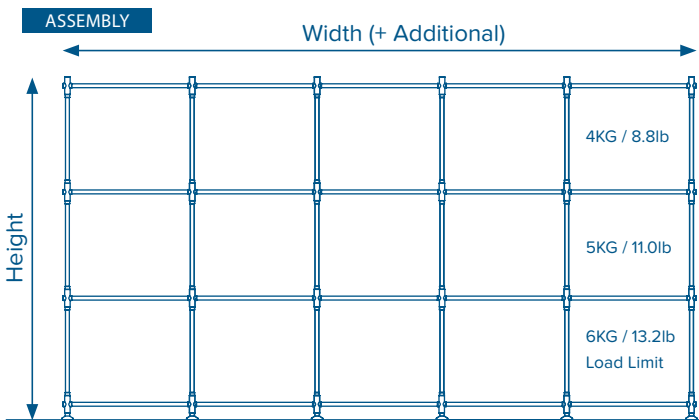
## HOW TO SPECIFY

Height	Width	Additional Width
H2 = 2 Tier	W3 = 3 Wide	M1 = 1 Column
H3 = 3 Tier		M2 = 2 Columns
H4 = 4 Tier		M3 = 3 Columns

Example One: LX-SH1-H2-W3 = Luxxbox Shelf 1 at 2 Modules High x 3 Modules Wide.

Example Two: LX-SH1-H3-W3-M2 = Luxxbox Shelf 1 at 3 Modules High x 5 Modules Wide. Pictured left.

For larger, custom configurations contact Luxxbox.



Load Limit decreases by 1KG / 2.2lb as module height increases

For all sizes of Shelf 1 it is recommended to be fastened to a wall and/or floor. Please pay attention to module load limits. Say no to stuff like fish-tanks, CRT televisions and be sure not to hang large and/or heavy items.

Luxxbox reserves the right to change the specification, material and colours at any time without notice. Standard warranty terms and conditions apply. **DISCLAIMER:** Failure to secure Shelf 1 and/or placing Shelf 1 in locations where it can be knocked over are not recommended. Please follow carefully installaiton instructions, in particular noting that a partially or fully loaded Shelf 1 may fall and cause injury or death. Luxxbox Pty Ltd ACN 123 193 788. All rights reserved. © July 2017. Ver 1.1.

LUXXBOX PTY LTD × ACN 123 193 788 × 43 KENYON ST EAGLE FARM QLD 4009 AUSTRALIA  
P +61 7 3257 2822 × F +61 7 3257 2844 × INFO@LUXXBOX.COM × LUXXBOX.COM

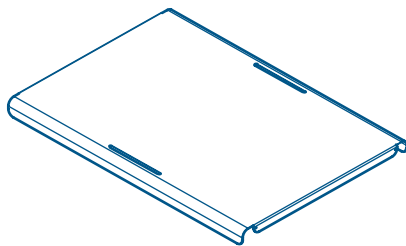




## SHELF 1

- A** Shelf  
 LX-SH1-ACC-SH  
 Drop-in to use, no fasteners required.  
 460 W x 320 D  
 (18" W x 12" D)

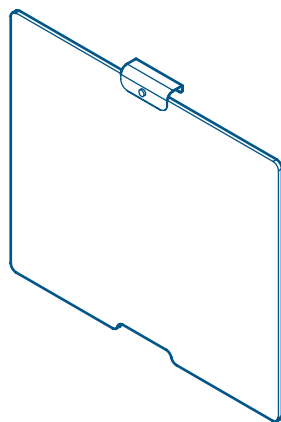
Satin black powder coated aluminium.



## ACCESSORIES

Go beyond utility and personalize your screen with following accessories.

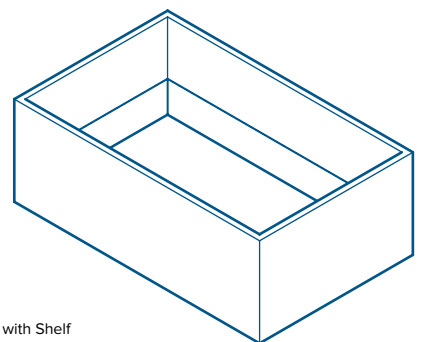
- B** Panel  
 LX-SH1-ACC-PNL  
 Blocks off front or back of module for privacy and sound attenuation.
- PET material available in multiple colors.



- C** Planter Box  
 LX-SH1-ACC-PB  
 Suits potted plants up to 220 D x 370 W x 130 T  
 (8" D x 14" W x 5" T)

Sealed plywood box with satin black drip tray.

Recommended to be used in conjunction with Shelf  
 Recommended to be used no higher than tier 3.



Luxxbox reserves the right to change the specification, material and colours at any time without notice. Standard warranty terms and conditions apply. **DISCLAIMER:** Failure to secure Shelf 1 and/or placing Shelf 1 in locations where it can be knocked over are not recommended. Please follow carefully installation instructions, in particular noting that a partially or fully loaded Shelf 1 may fall and cause injury or death. Luxxbox Pty Ltd ACN 123 193 788. All rights reserved. © July 2017. Ver 1.1.

LUXXBOX PTY LTD × ACN 123 193 788 × 43 KENYON ST EAGLE FARM QLD 4009 AUSTRALIA  
 P +61 7 3257 2822 × F +61 7 3257 2844 × INFO@LUXXBOX.COM × LUXXBOX.COM

**luxx  
 box**