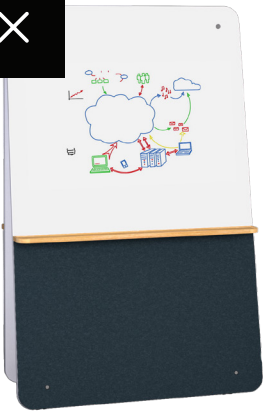


WEDGE THOUGHTBOARD ACOUSTIC (LX-WTA)

**luxx
box**

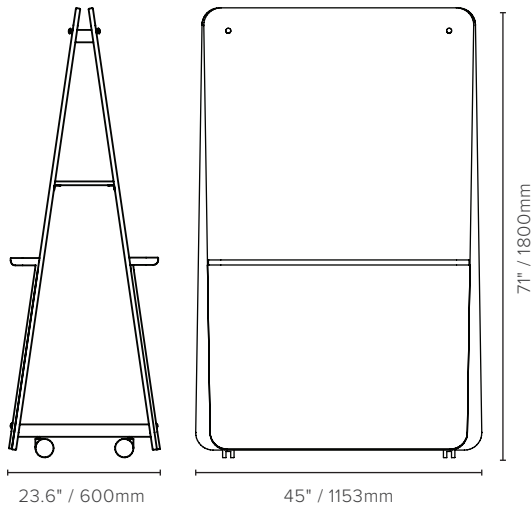


The Wedge ThoughtBoard Acoustic offers a slice of calm for any space. High-quality whiteboard surface offers a streak-free writing experience, with sound absorbing acoustic material close to the ground to dampen noise in high traffic areas. The magnetic surface hosts a suite of collaborative accessories, while the permanent pen shelf helps you organise your space in style. High-quality castors enable easy movement on all surfaces, concealed for extra safety in open spaces. Multiple Wedge ThoughtBoards Acoustic panels can be used in unison to create a curved or straight room divider.

KEY BENEFITS

- Superior quality ceramic steel writing surface
- Choice of laminate backing
- Use multiple ThoughtBoards to create a straight or curved room divider
- High quality lockable castors for ease of movement, concealed to remove trip hazard
- Ships flat, easy to assemble, short lead times
- Non-magnetic option available
- All versions include internal shelf
- Only GECA certified agile whiteboard on the market

SIZE



ORDER CODE

EXAMPLE: LX - WTA - Y - W - W - S - EG - 1LG - 4

(Luxxbox WTB Acoustic, Magnetic, White interior, White Edges, Standard internal shelf, Acoustic Base in Emerald Green, Acoustic Board in Light Grey, Base Tray)

LX - WTA	MAGNETIC		INTERIOR COLOUR			EDGE COLOUR		INTERNAL SHELF		ACOUSTIC BASE COLOUR	OPTIONAL ACCESSORIES		
	Y	N	O	B	W	B	W	S	PT		PB	1	2
WTA	Yes	No***	Oak Veneer	Black Veneer	White	Black	White	Standard	Premium Timber	Premium Black	Use colour codes as shown	Acoustic Board*	Flip Chart Bracket
												Pen Holder**	Base tray

(*For Acoustic Board accessory option, please specify color code alongside (eg: 1LG)

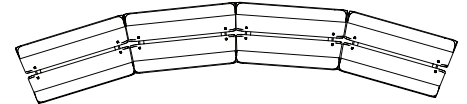
(**Pen Holder is only available for the Magnetic option)

(***Warranty terms for non-magnetic option differs from magnetic)

DIVIDER EXAMPLES

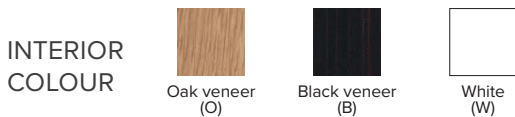
Straight room divider

Curved room divider



AVAILABLE COLOURS

Colors are subject to lead times and variations across batches



ACOUSTIC BASE AND BOARD COLOURS



Luxxbox reserves the right to change the specification, material and colors at any time without notice. Standard warranty terms and conditions apply. All rights reserved © All dimensions and values on specification sheet are nominal. Thoughtboard's panels may change shape slightly over time, it is a natural movement due to changing temperature and humidity conditions. It will in no way affect performance or function. April, 2021. LX-Wedge-Thoughtboard-Acoustic-Spec-Sheet-v1.9



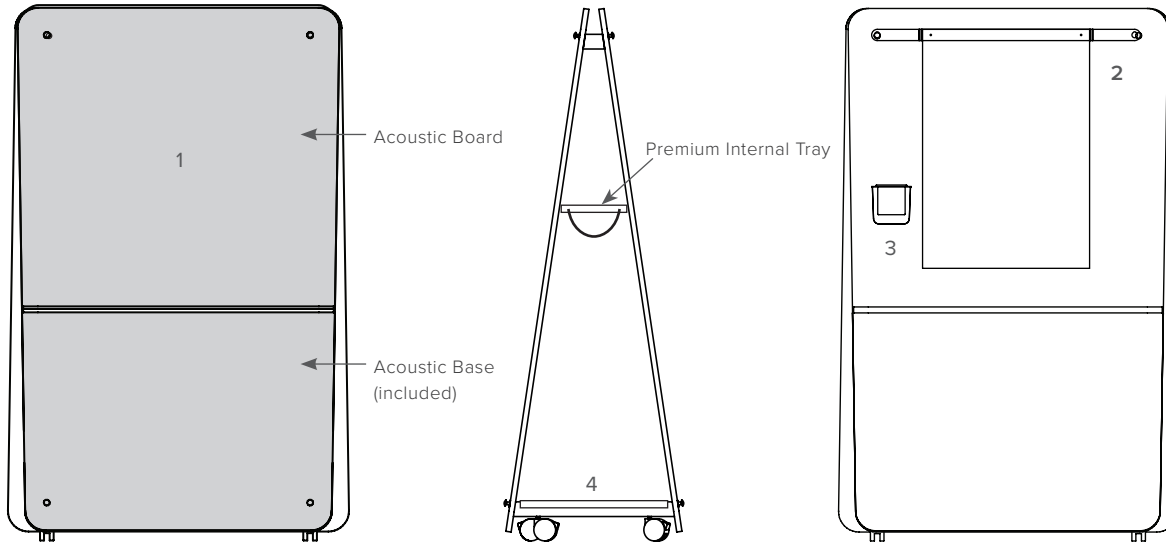
LUXXBOX USA INC × (P)+1 (415) 871 0448 × USA@LUXXBOX.COM
 LUXXBOX PTY LTD × (P)+61 7 3257 2822 × INFO@LUXXBOX.COM
 WWW.LUXXBOX.COM



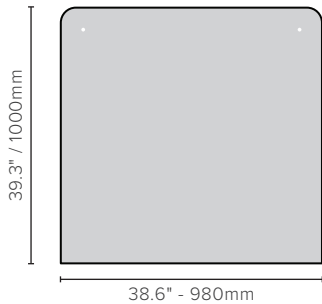


WEDGE THOUGHTBOARD ACOUSTIC (LX-WTA)

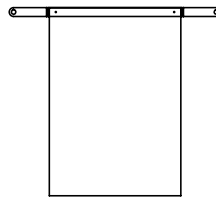
ACCESSORIES



(1) ACOUSTIC BOARD

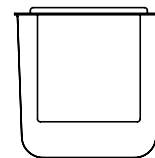


(2) FLIP CHART BRACKET



Standard color: White

(3) PEN HOLDER



Standard color: White
(only available for the magnetic option)

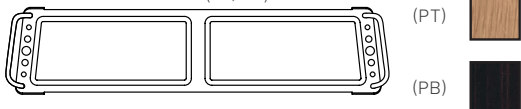
INTERNAL TRAY

Standard (S)
(included by default)

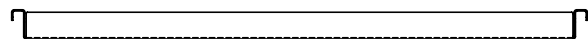


Standard color: White

Premium (PT, PB)



(4) BASE TRAY



Standard color: Black

Luxxbox reserves the right to change the specification, material and colors at any time without notice. Standard warranty terms and conditions apply. All rights reserved © All dimensions and values on specification sheet are nominal. Thoughtboard's panels may change shape slightly over time, it is a natural movement due to changing temperature and humidity conditions. It will in no way affect performance or function. April, 2021. LX-Wedge-Thoughtboard-Acoustic-Spec-Sheet-v1.9



LUXXBOX USA INC × (P)+1 (415) 871 0448 × USA@LUXXBOX.COM
LUXXBOX PTY LTD × (P)+61 7 3257 2822 × INFO@LUXXBOX.COM
WWW.LUXXBOX.COM

