

# WEDGE THOUGHTBOARD (LX-WTB)

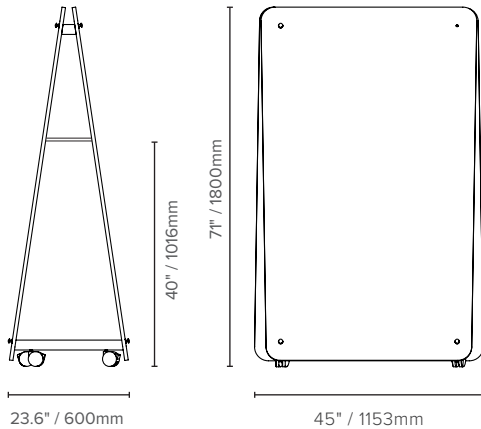
Wedge ThoughtBoard forms part of Luxxbox's Agile Board range. The elegant ThoughtBoard is a quiet achiever with loud results. The whiteboard surface serves many purposes, helping you to organise your life or office in style. With the addition of the sound absorbency panel, the ThoughtBoard can also help hush open-plan spaces, creating a little slice of calm. High quality double castors enable easy movement on all flooring surfaces.

## KEY BENEFITS

- Superior quality ceramic steel writing surface
- Choice of laminate backing
- Use multiple ThoughtBoards to create a straight or curved room divider
- High quality lockable castors for ease of movement, concealed to remove trip hazard
- Ships flat, easy to assemble, short lead times
- Non-magnetic option available
- All versions include internal shelf
- Only GECA certified agile whiteboard on the market
- Acoustic board available in the MOTIF collection



## SIZE



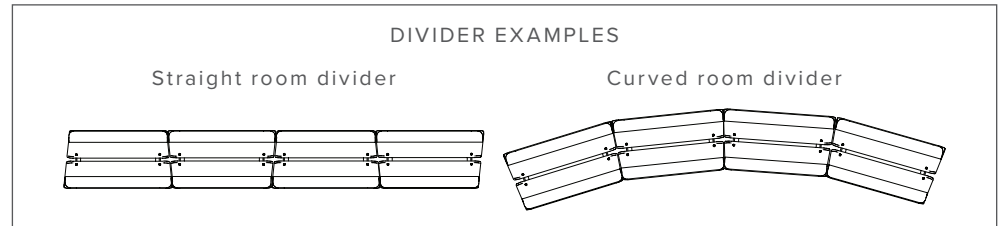
## ORDER CODE

**EXAMPLE: LX - WTB - Y - W - B - S - 1LG - 4**

(Luxxbox Wedge ThoughtBoard, Magnetic, White, Black Edges, Standard internal shelf, Small Pin Board in Light Grey, Pen Holder)

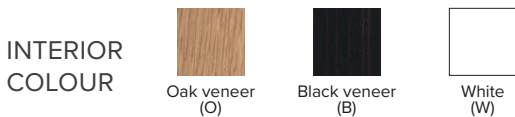
LX - WTB	MAGNETIC		INTERIOR COLOR			EDGE COLOR		INTERNAL SHELF		OPTIONAL ACCESSORIES		
PRODUCT CODE	Y	No***	O	Oak Veneer	B	Black	S	Standard	1	Small Acoustic Board*	5	Base Tray
WTB	N		B	Black Veneer	W	White	PT	Premium Timber	2	Large Acoustic Board*	6	External Shelf**
			W	White			PB	Premium Black	3	Flip Chart Bracket		
									4	Pen Holder**		

(\*For Pin Board accessory option, please specify color code alongside (eg: 1LG, 2Y)  
(\*\*Pen Holder and External Shelf are only available for the Magnetic option)  
(\*\*\*Warranty terms for non-magnetic option differs from magnetic)



## AVAILABLE COLOURS

Colors are subject to lead times and variations across batches



## ACOUSTIC BOARD COLOUR

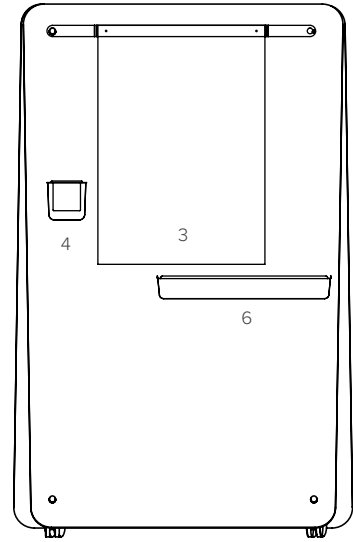
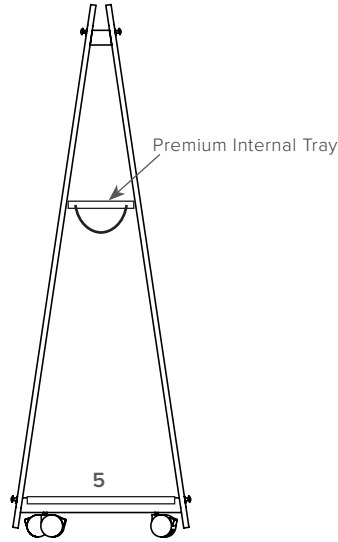
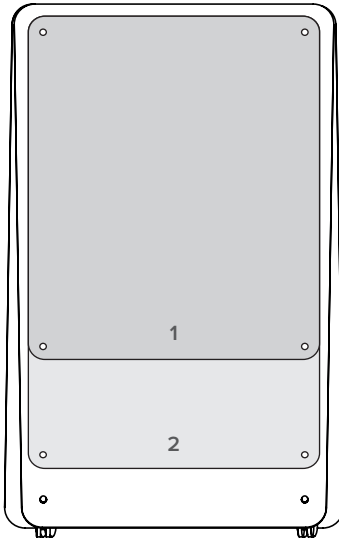


Luxxbox reserves the right to change the specification, material and colors at any time without notice. Standard warranty terms and conditions apply. All rights reserved © All dimensions and values on specification sheet are nominal. All dimensions and values on specification sheet are nominal. Thoughtboard's panels may change shape slightly over time, it is a natural movement due to changing temperature and humidity conditions. It will in no way affect performance or function. October 2021. LX-Wedge-Thoughtboard-Spec-Sheet-v5.2

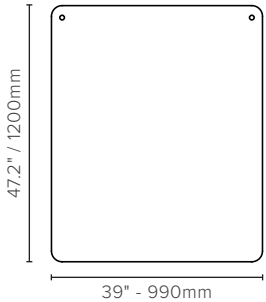


# WEDGE THOUGHTBOARD (LX-WTB)

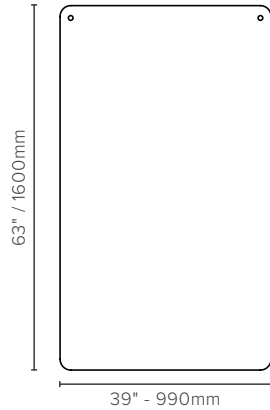
## ACCESSORIES



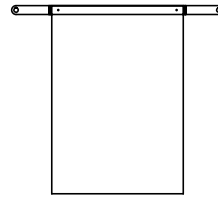
(1) SMALL ACOUSTIC BOARD



(2) LARGE ACOUSTIC BOARD

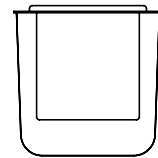


(3) FLIP CHART BRACKET



Standard color: White

(4) PEN HOLDER



Standard color: White  
(only available for the magnetic option)

INTERNAL TRAY

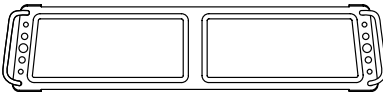
Standard (S)  
(included by default)



Standard color: White



Premium (PT, PB)

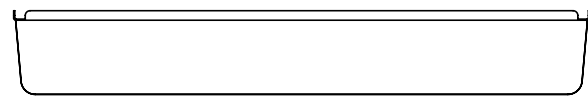


(5) BASE TRAY



Standard color: Black

(6) EXTERNAL SHELF



23" - 580mm

Standard color: White

(only available for the magnetic option)

3.5" / 88mm

Luxxbox reserves the right to change the specification, material and colors at any time without notice. Standard warranty terms and conditions apply. All rights reserved © All dimensions and values on specification sheet are nominal. All dimensions and values on specification sheet are nominal. Thoughtboard's panels may change shape slightly over time, it is a natural movement due to changing temperature and humidity conditions. It will in no way affect performance or function. October 2021. LX-Wedge-Thoughtboard-Spec-Sheet-v5.2



LUXXBOX USA INC × (P)+1 (415) 871 0448 × USA@LUXXBOX.COM  
LUXXBOX PTY LTD × (P)+61 7 3257 2822 × INFO@LUXXBOX.COM  
WWW.LUXXBOX.COM

