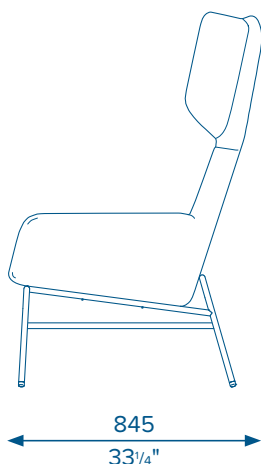
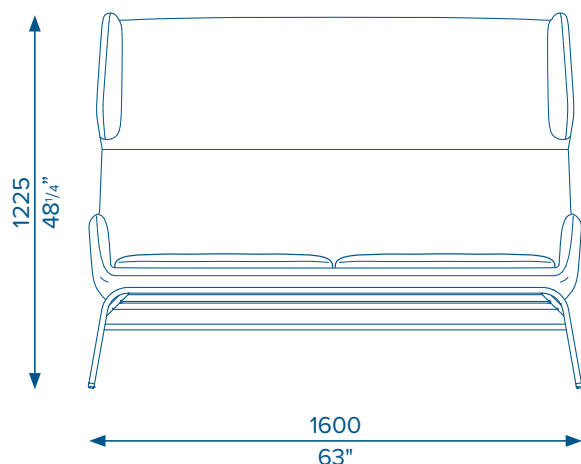




FOR WINGBACK LOUNGER



From Luxxbox's range of premium upholstered furniture, the For Wingback Lounger is designed *For Calm*. Take a moment out on the For Wingback Lounger, or find the perfect spot to collaborate within its sumptuous curves. The sturdy base and wraparound sides of the For Wingback Lounger offer privacy and sound reduction, perfect for study nooks, libraries and communal meeting areas. A unique take on classic, timeless design.

KEY FEATURES

- Classic design lines
- Australian designed and made
- Short lead times, quick delivery
- Customisable upholstery
- Sturdy stainless steel frame

OPTIONAL

Choose from

- Brass or aluminium feet
- Black or white powdercoat frame

HOW TO SPECIFY

LX-FOR-(Unit)-(Frame)-(Feet)-(Seat)-(Cushion)

Unit Type	Frame	Feet	Seat	Cushion
WBL = Wingback Lounger	BL = Black WH = White	BR = Brass AL = Aluminium	Specify colour when order is placed	

Example: LX-FOR-WBL-WH-AL = Luxxbox For Collection Wingback Lounger with White frame and Aluminium feet.

Material required: 9.05m (9³/₄yd)

Patterned fabric will require additional metreage and may incur an additional fee. Due to the nature of the product, Luxxbox only uses Instyle Feel and Kvadrat Divina. Other fabrics specified by clients may incur a prototyping fee. Please contact Luxxbox for further information.

Luxxbox reserves the right to change the specification, material and colours at any time without notice. Standard warranty terms and conditions apply. Luxxbox Pty Ltd ACN 123 193 788. All rights reserved. © Sep 2017. Ver 1.1.

LUXXBOX PTY LTD × ACN 123 193 788 × 43 KENYON ST EAGLE FARM QLD 4009 AUSTRALIA
P +61 7 3257 2822 × F +61 7 3257 2844 × INFO@LUXXBOX.COM × LUXXBOX.COM

