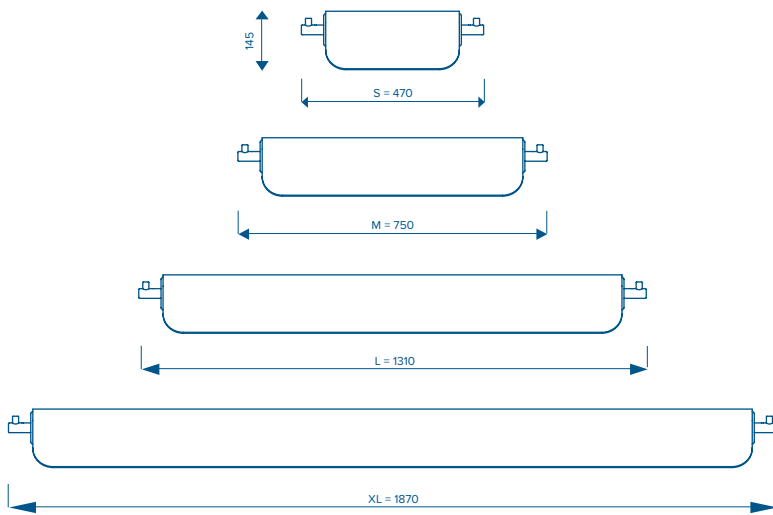


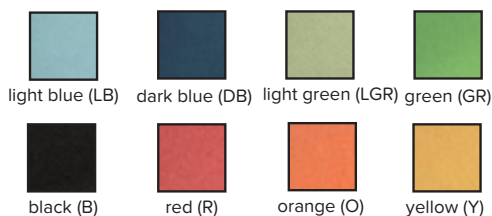
DASCH



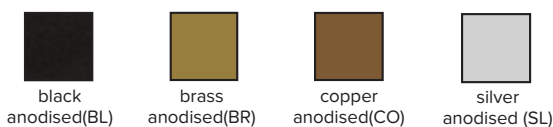
Standard Range



Premium Range



End Cap Finish



Short in stature, but not in style, Luxxbox's Dasch pendant light combines a sleek curve and subtle diffusion of light to create a striking luminaire. Available in four standard lengths, Dasch is a perfect fit for corridors and hallways. Or make full use of the void between desk and ceiling pane with lights that act as a means of sound management.

KEY FEATURES

- Available in 4 standard lengths
- LED light source
- 2 suspension cables, height adjustable
- Comes with 3 meters of woven power cable
- Suitable for indoor environments
- Minimum 65% recycled material
- Customisable shade and end cap colours
- 0 - 10V dimming
- Remote driver

HOW TO SPECIFY

LX-DA = (Size) - (Colour) - (Finish) - (Colour temperature)

Size	Shade Colour	End Cap Finish	Colour temperature
S = 470 Long	Specify colour as per samples	Specify colour as per samples	30 = 3000K
M = 750 Long			35 = 3500K
L = 1310 Long			40 = 4000K
XL = 1870 Long			

Example: **LX-DA-S-LG-BL-30** = Luxxbox Dasch, small, light grey, black end caps, 3000K colour temperature

LIGHT SOURCE SPECIFICATIONS

- S – 1200 lumen, CRI 90, 14W
- M – 2000 lumen, CRI 90, 22W
- L – 4000 lumen, CRI 90, 44W
- XL – 6000 lumen, CRI 90, 65W

Luxxbox reserves the right to change the specification, material and colours at any time without notice. Standard warranty terms and conditions apply. All rights reserved. © October 2018. Ver 2.4

LUXXBOX PTY LTD × ACN 123 193 788 × 43 KENYON ST EAGLE FARM QLD 4009 AUSTRALIA
 P +61 7 3257 2822 × F +61 7 3257 2844 × INFO@LUXXBOX.COM × LUXXBOX.COM
 P +1 (415) 871 0448 × USA@LUXXBOX.COM

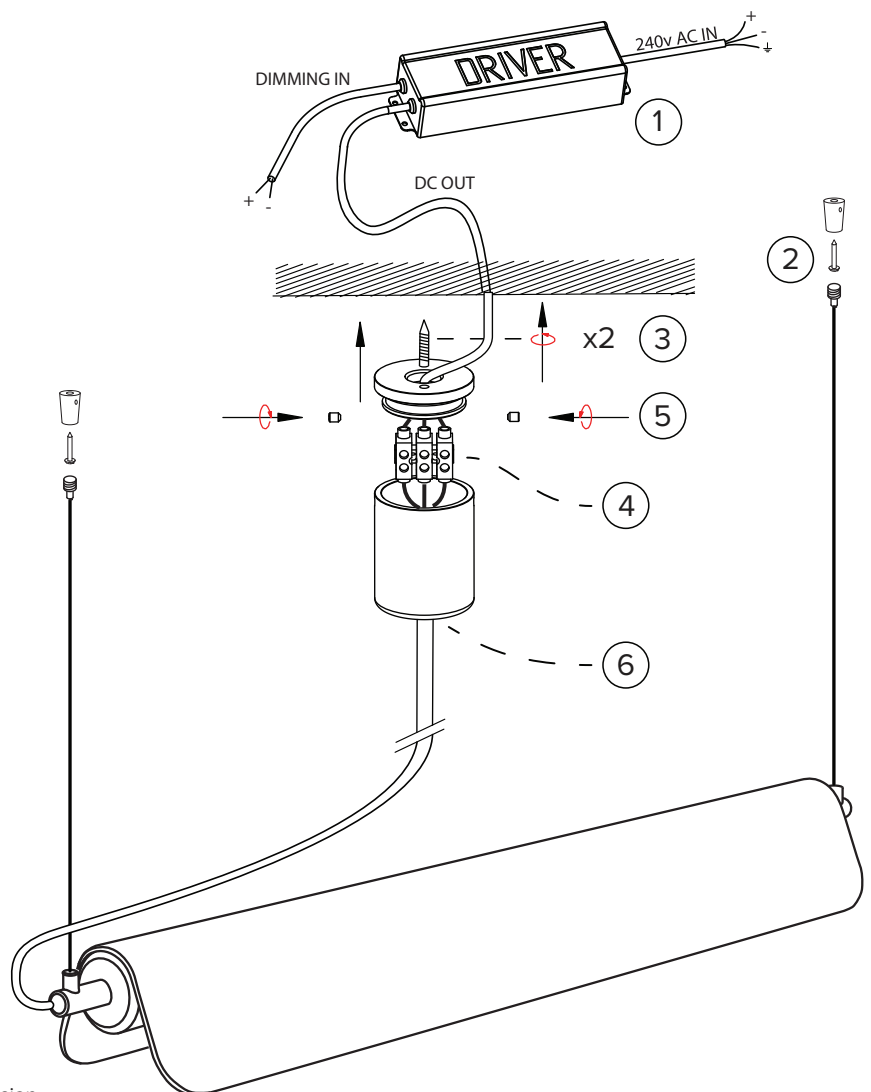




DASCH

⚠ Before starting, determine which fasteners will be best suited to secure the fitting, based on the material of the ceiling substrate.

1. Licensed electrician to terminate '240v AC input' and 'dimming input' to remotely mounted LED driver
2. Hang shade from ceiling using mounting hardware provided. See next page for additional detail
3. Mount canopy base to ceiling
4. Insert 'DC out' power cable into canopy cover. Adjust lengths of cable and trim if necessary. Connect into terminals provided.
5. Place canopy over canopy mount and fasten 2x grub screws
6. Tighten strain relief grub screw



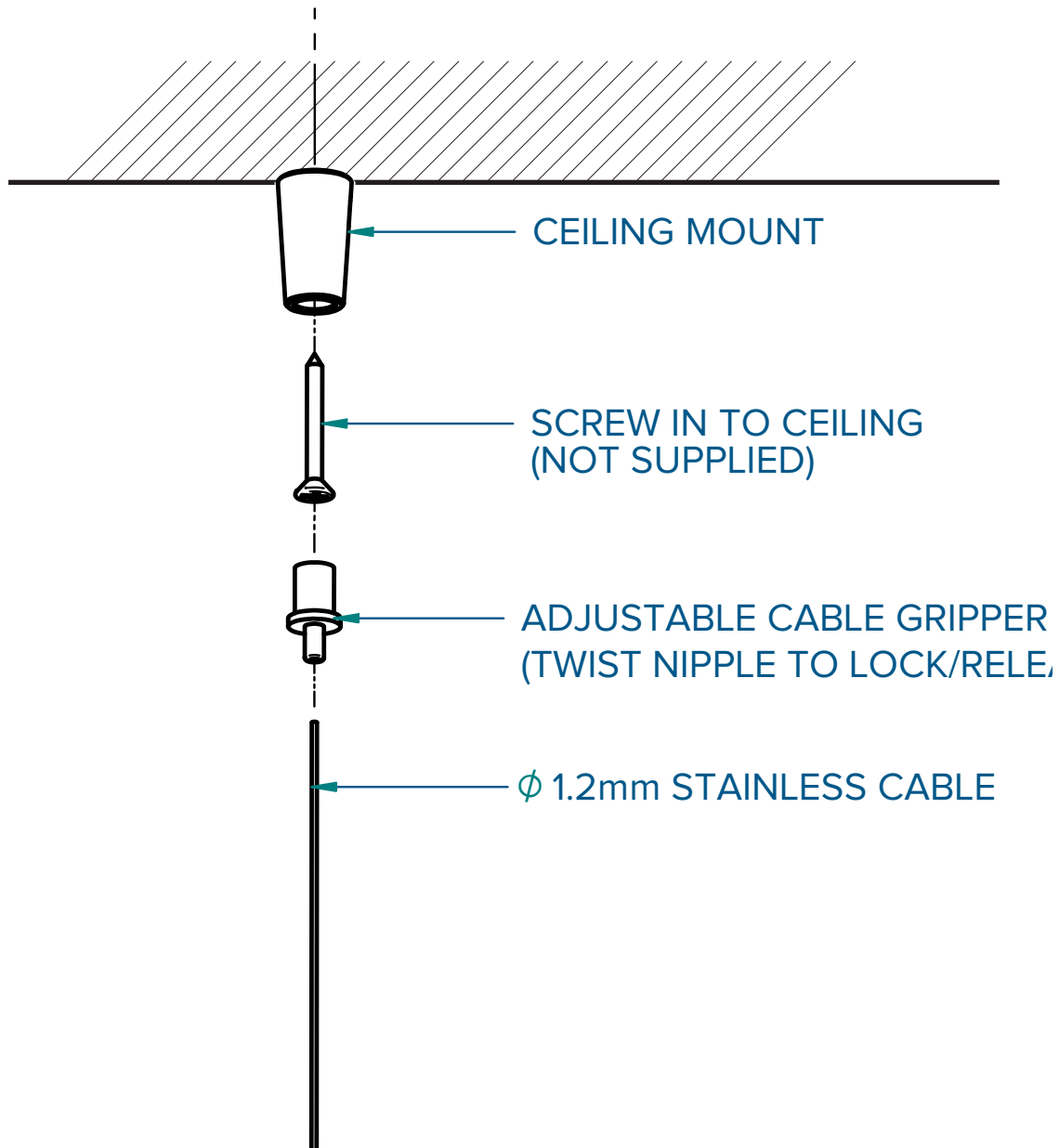
Note: Line voltage must be installed by a qualified electrician, in accordance with local electrical laws.

Luxxbox reserves the right to change the specification, material and colours at any time without notice. Standard warranty terms and conditions apply. All rights reserved. © October 2018. Ver 2.4

LUXXBOX PTY LTD × ACN 123 193 788 × 43 KENYON ST EAGLE FARM QLD 4009 AUSTRALIA
 P +61 7 3257 2822 × F +61 7 3257 2844 × INFO@LUXXBOX.COM × LUXXBOX.COM
 P +1 (415) 871 0448 × USA@LUXXBOX.COM



STANDARD CEILING MOUNT - INSTALLATION



Luxxbox reserves the right to change the specification, material and colours at any time without notice. Standard warranty terms and conditions apply. All rights reserved. © October 2018. Ver 2.4

LUXXBOX PTY LTD × ACN 123 193 788 × 43 KENYON ST EAGLE FARM QLD 4009 AUSTRALIA

P +61 7 3257 2822 × F +61 7 3257 2844 × INFO@LUXXBOX.COM × LUXXBOX.COM

P +1 (415) 871 0448 × USA@LUXXBOX.COM

LUXX
BOX

STANDARD CEILING MOUNT - INSTALLATION



← Masonry plug, wall mate or similar - type to be determined by installer. Not supplied.



← Ceiling mount, Supplied



← Screw in to ceiling substrate - type to be determined by installer. Not Supplied

8.5 max



← Cable gripper with grip lock nipple. Supplied.



← 1.2mm Stainless suspension cable. Supplied.

Shown assembled
Trim cable as necessary

