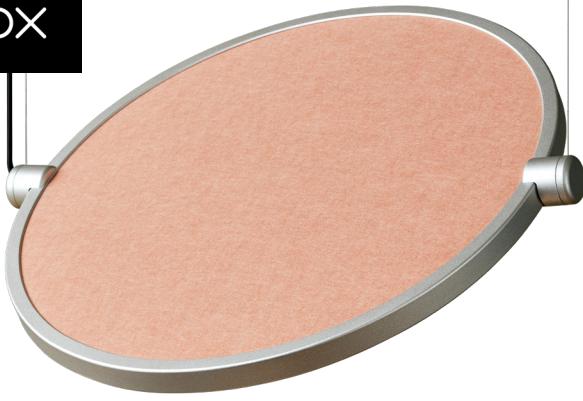


LUXX
box



AC-LIPSE (LX-AC)

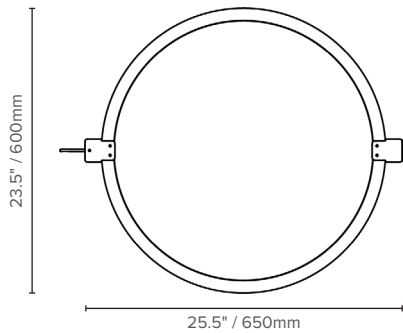
TYPE:

A total Ac-lipse of the heart from Luxxbox's range of Acoustic pendants. Inspired by the awe of a lunar eclipse, the Ac-lipse LED luminaire does double-duty as a means of sound management. With both the frame and acoustic panel colours able to be customised, Ac-lipse is sure to suit any interior space and help reduce sound-related stress and fatigue.

KEY BENEFITS

- Highly effective sound absorption
- Available in a wide range of colors
- Acoustic baffle option available
- Customizable panel and end cap colors
- High performance dimmable LED light source
- Adjustable angles for different light directions
- Height adjustable 9' / 3m suspension cables
- 9' / 3m length of black woven power cable per fixture
- Acoustic panels are 100% recyclable and manufactured from 65% recycled material
- Casambi bluetooth available
- POE available on request
- IES photometric files available

SIZE AND WEIGHT



Output	Total Lumens	Wattage	Efficacy Lm/W
Direct	3720	60	62
Weight	xxlbs / xxKg		

ORDER CODE

EXAMPLE: LX - AC - R - SL - 40 - N - U - RD - Y

(Luxxbox Ac-Lipse, Red, Silver anodized, 4000K, Universal 120-277V / 0-10V dimming, Remote driver, Casambi bluetooth)

LX - AC	_____	_____	_____	_____	_____	_____						
PRODUCT CODE	PANEL COLOR	FRAME FINISH	COLOR TEMP	REGION / DIMMING		DRIVER TYPE	CASAMBI					
AC	Use color codes as shown (For acoustic baffle; specify two)	Use finish codes as shown	30	3000K	U	Universal 120-277V / 0 - 10V dimming (North America only)	RD	Remote driver	Y	Yes		
			35	3500K					N	No		
			40	4000K					G	Global 220 - 240V		
			A*	Acoustic						DSI / DALI		

(*For acoustic baffle only, specify A in the 'color temp' column and leave the remaining columns blank)

AVAILABLE COLORS

Colors are subject to lead times and variations across batches

PANEL COLOR										
	black (B)	white (W)	off white (OW)	light grey (LG)	charcoal (C)	yellow (Y)	orange (O)	red (R)	light green (LGR)	green (GR)
	light blue (LB)	dark blue (DB)	bright blue (BB)	steel blue (SB)	turquoise (T)	emerald green (EG)	purple (P)	bright yellow (BY)	blush (BL)	forest green (FG)
FRAME FINISH										
	black anodized (BL)	brass anodized (BR)	silver anodized (SL)	copper anodized (CO)						

Luxxbox reserves the right to change the specification, material and colors at any time without notice. Standard warranty terms and conditions apply. All rights reserved. © May 2019 Ver 1.2
All dimensions and values on specification sheet are nominal.



LUXXBOX USA INC × (P)+1 (415) 871 0448 × USA@LUXXBOX.COM
LUXXBOX PTY LTD × (P)+61 7 3257 2822 × INFO@LUXXBOX.COM
WWW.LUXXBOX.COM





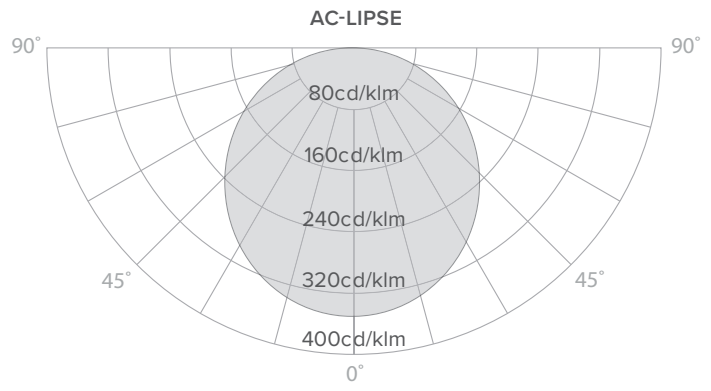
AC-LIPSE (LX-AC)

TYPE:


PHOTOMETRICS

AC-LIPSE (23.5" / 600mm)	
Total Lumen output	3720lm
Wattage	60W
Efficacy	62 lumens per watt
CRI	90
CCT	3000, 3500, 4000 K

LUMINOUS INTENSITY DISTRIBUTION



Luxxbox reserves the right to change the specification, material and colors at any time without notice. Standard warranty terms and conditions apply. All rights reserved. © May 2019 Ver 1.2
 All dimensions and values on specification sheet are nominal.


 LUXXBOX USA INC × (P)+1 (415) 871 0448 × USA@LUXXBOX.COM
 LUXXBOX PTY LTD × (P)+61 7 3257 2822 × INFO@LUXXBOX.COM
 WWW.LUXXBOX.COM





AC-LIPSE (LX-AC)

TYPE:

MATERIAL SPECIFICATIONS

	COLOR CODES: BL, BY, BB, C, EG, FG, LG, MG, P, SB, T	COLOR CODES: B, W, OW, DB, LB, G, LG, R, O, Y
COLOR FASTNESS TO LIGHT:	ISO 105-B02-1994 Rating: 6-7	ISO 105-B02-1994 Rating: 6-7
FIRE TEST:	AS 1530.3 ISO 9705: Group 1 GB8624 B1 BS EN 13501.1: Classification B-s1, d0	AS ISO 9705 - 2003: Group 1 ISO 9705 - 1993: Group 1s ASTM E-84-14 (A, FS:0 - SD:45) BS EN13501-1:2007+A1:2009 (B-s1, d0)
ENVIRONMENTAL:	PET achieves GreenTag Certification GreenRate: Level A	PET achieves GreenTag Certification GreenRate: Level A
THERMAL TRANSITION:	ASTM C518-2010. R- Value = 0.30 m ² K/W	ASTM C518-2010. R- Value = 0.30 m ² K/W
SOUND ABSORPTION:	AS ISO 354 – 2006 Noise reduction coefficient (NRC) = 0.7	AS ISO 354 – 2006 Noise reduction coefficient (NRC) = 0.7
VOC EMISSIONS:	ASTM D5116 Rate: < 0.02 mg/m ² /hr (7 days)	ASTM D5116 Rate: < 0.01 mg/m ² /hr (7 days)

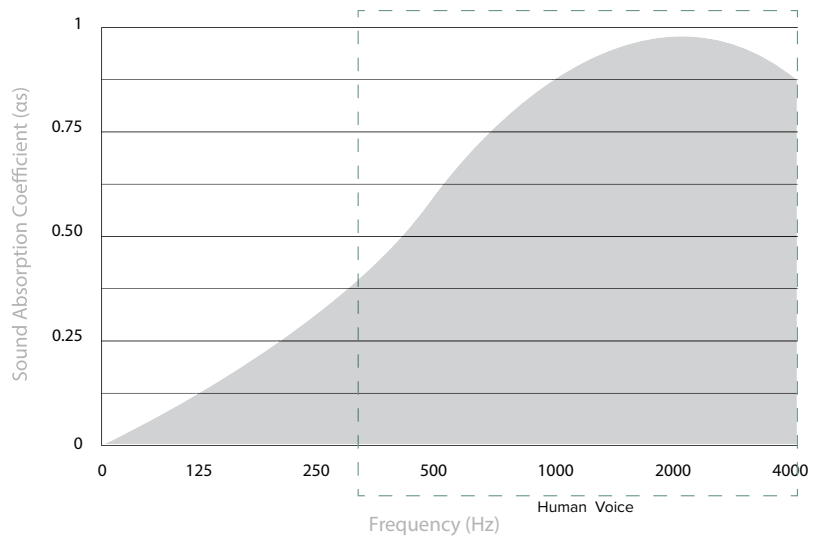
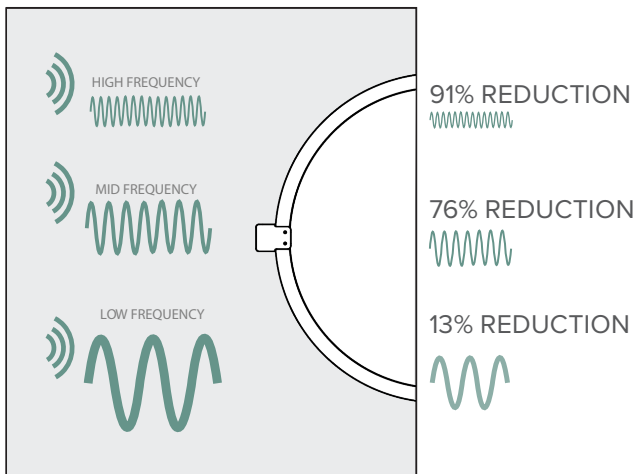
PET ACOUSTIC PROPERTIES

Products are given a Noise Reduction Coefficient (NRC) from 0 to 1 based on their ability to absorb sound, where 1.0 equals 100% sound absorption. The NRC is used to calculate Sabin value of any surface material. The Sabin value equals the NRC multiplied by the total surface area in squared feet or squared metres.

Type	
Ac-lipse	3 Sabins (imperial) 0.28 Sabins (metric)
Ac-lipse Acoustic baffle	6 Sabins (imperial) 0.56 Sabins (metric)

ACOUSTIC PROPERTIES

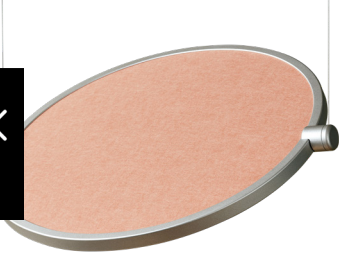
Visualization of decibel decay across the Vapor Echo range. Effects of a 0.7 NRC across a range of frequencies.



Luxbox reserves the right to change the specification, material and colors at any time without notice. Standard warranty terms and conditions apply. All rights reserved. © May 2019 Ver 1.2
All dimensions and values on specification sheet are nominal.

LUXBOX
LUXXBOX USA INC × (P)+1 (415) 871 0448 × USA@LUXXBOX.COM
LUXXBOX PTY LTD × (P)+61 7 3257 2822 × INFO@LUXXBOX.COM
WWW.LUXXBOX.COM



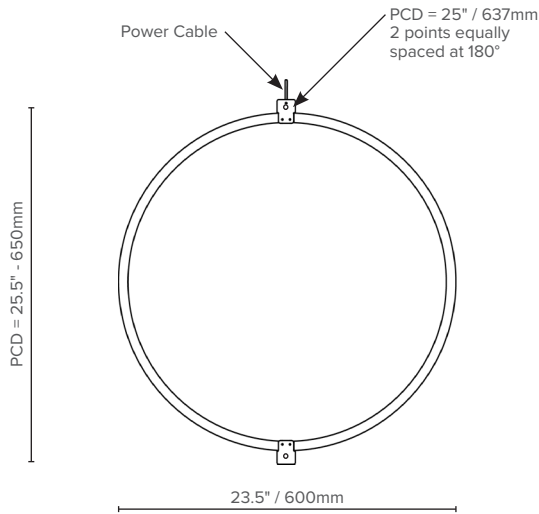


AC-LIPSE (LX-AC)

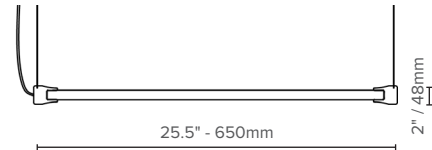
TYPE:

PRODUCT DIMENSIONS

TOP VIEWS



SIDE VIEWS

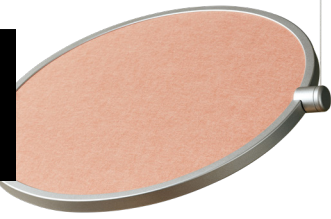


Luxxbox reserves the right to change the specification, material and colors at any time without notice. Standard warranty terms and conditions apply. All rights reserved. © May 2019 Ver 1.2
All dimensions and values on specification sheet are nominal.



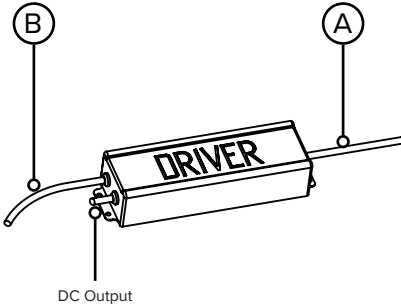
LUXXBOX USA INC × (P)+1 (415) 871 0448 × USA@LUXXBOX.COM
LUXXBOX PTY LTD × (P)+61 7 3257 2822 × INFO@LUXXBOX.COM
WWW.LUXXBOX.COM



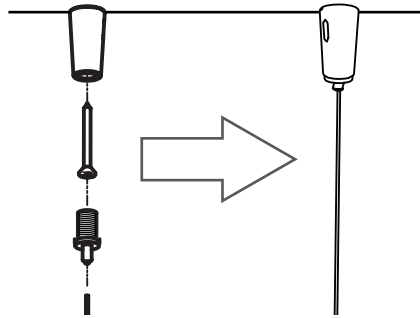


REMOTE DRIVER INSTALLATION (US)

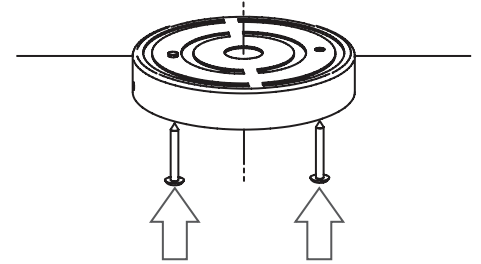
① (Full driver schematics on page 7)



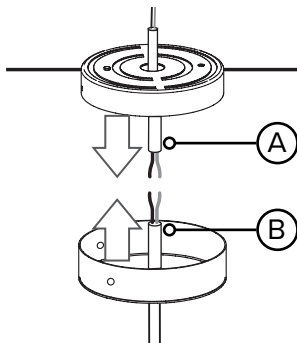
② (Full instructions on page 8)



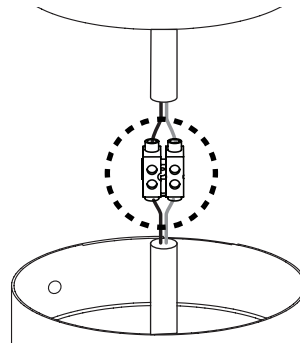
③



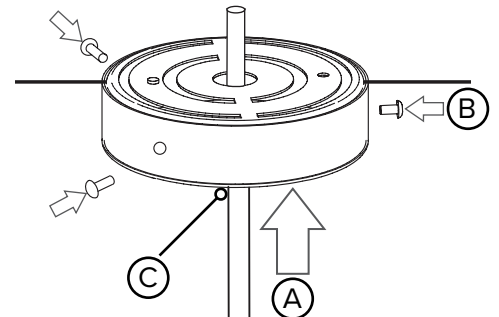
④



⑤

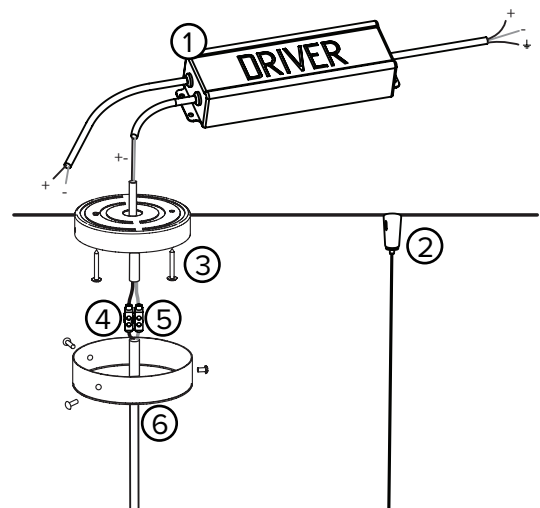


⑥

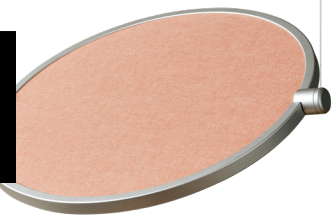


⚠ Before starting, determine which fasteners will be best suited to secure the fitting, based on the material of the ceiling substrate.

1. Licensed electrician to terminate Line Voltage (A) / Dimming Control (B) to remotely mounted LED driver.
2. Hang shade from ceiling using mounting hardware provided. See page 9 for additional detail.
3. Mount canopy base to ceiling.
4. Insert DC output (A) from Driver into canopy base, then insert the DC input (B) from light through canopy cover.
5. Licensed electrician to terminate DC input to DC output inside canopy.
6. Place canopy cover over canopy base (A), then fasten grub screws (B) and cable strain relief (C).

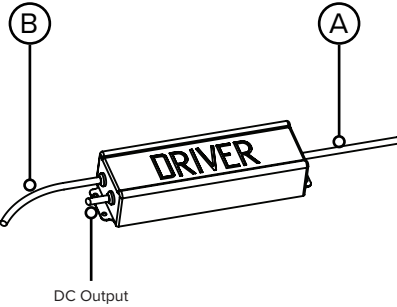


Luxxbox reserves the right to change the specification, material and colors at any time without notice. Standard warranty terms and conditions apply. All rights reserved. © May 2019 Ver 1.2
All dimensions and values on specification sheet are nominal.

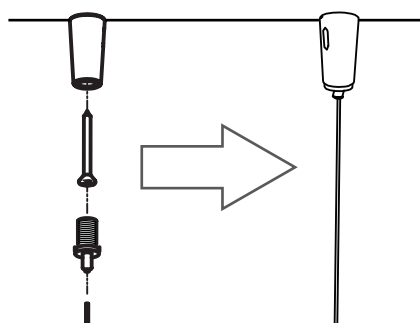


REMOTE DRIVER INSTALLATION (GLOBAL)

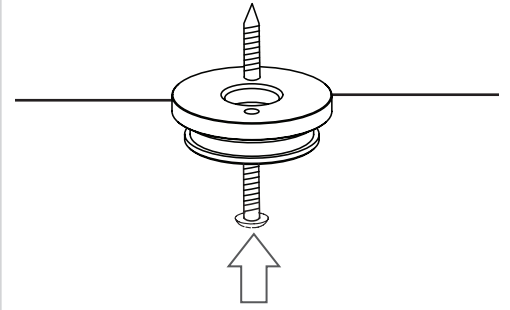
① (Full driver schematics on page 7)



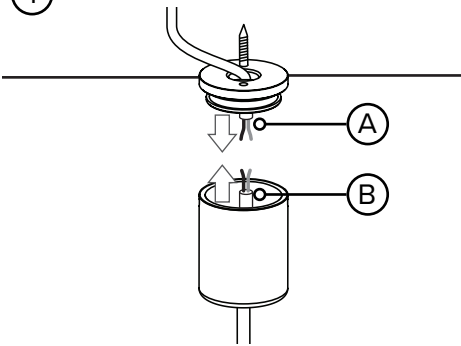
② (Full instructions on page 8)



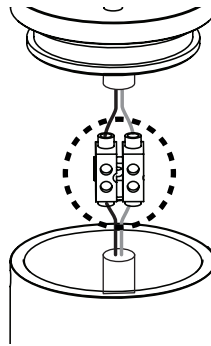
③



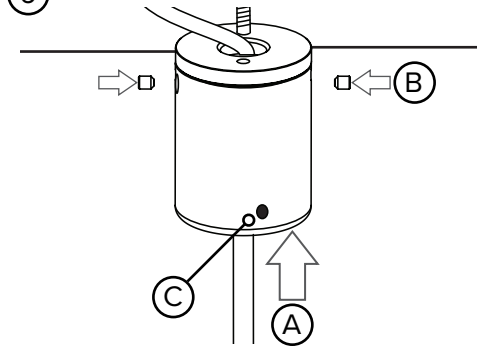
④



⑤

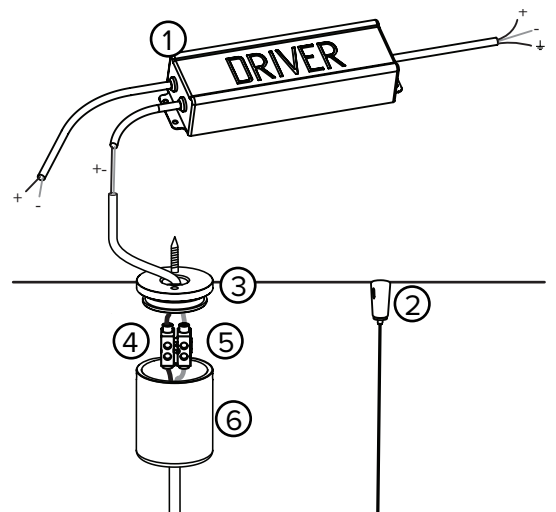


⑥

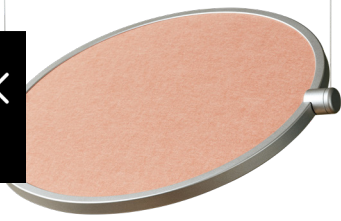


⚠ Before starting, determine which fasteners will be best suited to secure the fitting, based on the material of the ceiling substrate.

13. Licensed electrician to terminate Mains Power (A) / Dimming Control (B) to remotely mounted LED driver.
14. Hang shade from ceiling using mounting hardware provided. See page 9 for additional detail.
15. Mount canopy base to ceiling.
16. Insert DC output (A) from Driver into canopy base, then insert the DC input (B) from light through canopy cover.
17. Licensed electrician to terminate DC input to DC output inside canopy.
18. Place canopy cover over canopy base (A), then fasten grub screws (B) and cable strain relief (C).



Luxxbox reserves the right to change the specification, material and colors at any time without notice. Standard warranty terms and conditions apply. All rights reserved. © May 2019 Ver 1.2
All dimensions and values on specification sheet are nominal.

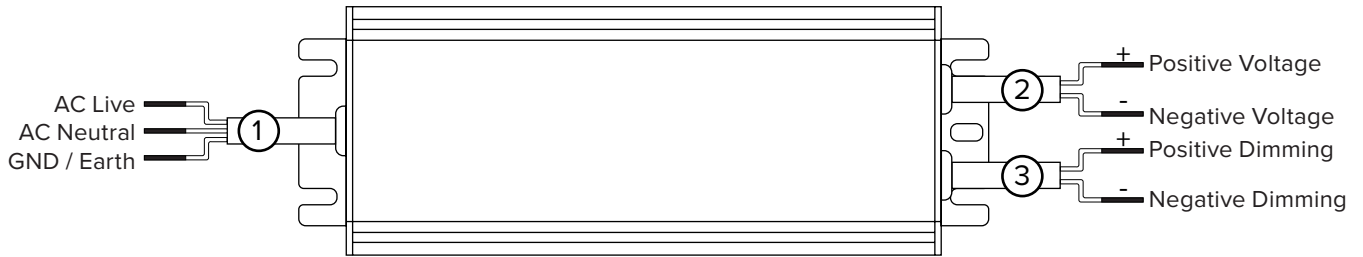


DRIVER SCHEMATICS (REMOTE DRIVER INSTALLATION)

*Please refer to driver and accompanying documentation for further information regarding installation / wiring.

⚠ All electrical work, including the installation and wiring of drivers to be completed by a licensed electrician.

1. Line Voltage / Mains Power
2. DC Output
3. Dimming Control

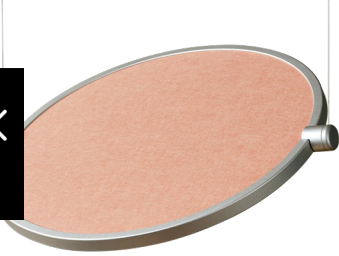


Luxxbox reserves the right to change the specification, material and colors at any time without notice. Standard warranty terms and conditions apply. All rights reserved. © May 2019 Ver 1.2
All dimensions and values on specification sheet are nominal.



LUXXBOX USA INC × (P)+1 (415) 871 0448 × USA@LUXXBOX.COM
LUXXBOX PTY LTD × (P)+61 7 3257 2822 × INFO@LUXXBOX.COM
WWW.LUXXBOX.COM

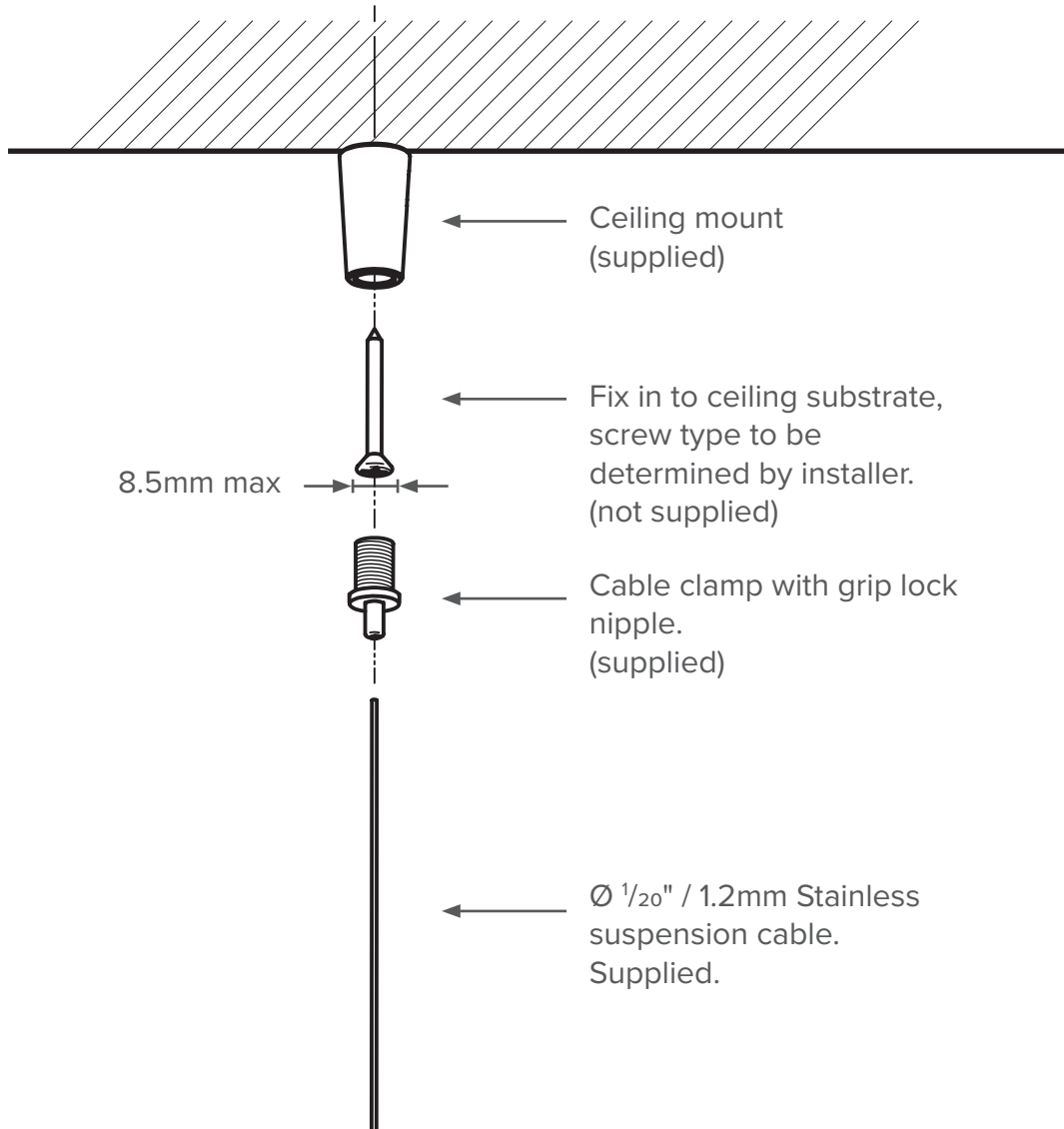




AC-LIPSE (LX-AC)

TYPE:

STANDARD CEILING MOUNT - INSTALLATION



Luxxbox reserves the right to change the specification, material and colors at any time without notice. Standard warranty terms and conditions apply. All rights reserved. © May 2019 Ver 1.2
All dimensions and values on specification sheet are nominal.



LUXXBOX USA INC × (P)+1 (415) 871 0448 × USA@LUXXBOX.COM
LUXXBOX PTY LTD × (P)+61 7 3257 2822 × INFO@LUXXBOX.COM
WWW.LUXXBOX.COM

