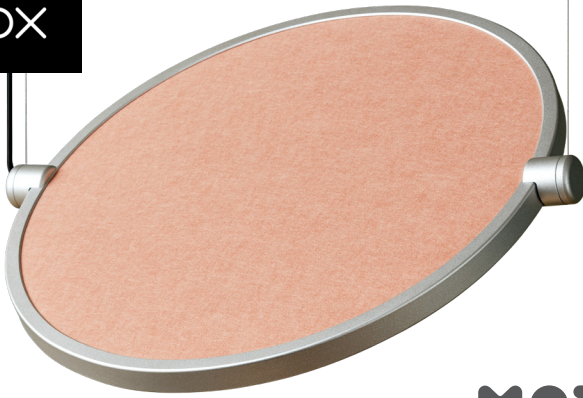


LUXX  
box



# AC-LIPSE (LX-AC)

TYPE:

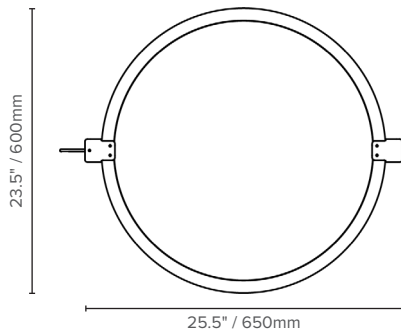
A total Ac-lipse of the heart from Luxxbox's range of Acoustic pendants. Inspired by the awe of a lunar eclipse, the Ac-lipse LED luminaire does double-duty as a means of sound management. With both the frame and acoustic panel colours able to be customised, Ac-lipse is sure to suit any interior space and help reduce sound-related stress and fatigue.

## KEY BENEFITS

- Highly effective noise absorption
- Available in a wide range of colors
- Acoustic baffle option available
- Customizable panel and end cap colors
- High performance dimmable LED light source
- Adjustable angles for different light directions
- Height adjustable 9' / 3m suspension cables
- 9' / 3m length of black woven power cable per fixture
- Acoustic panels are 100% recyclable and manufactured from 65% recycled material
- POE available on request
- IES photometric files available
- Bluetooth controller available upon request
- L70 lifetime rating of 50,000 hours
- Available in the MOTIF collection

MOTIF

## SIZE AND WEIGHT



	Delivered Lumens	Wattage	Efficacy lm/W
Direct Output	4500	57	79
Weight	12.4lbs / 7Kg		

## ORDER CODE

EXAMPLE: LX - AC - R - SL - 40 -UNV - RD

(Luxxbox Ac-Lipse, Red, Silver anodized, 4000K, Universal 110-277V / 0-10V dimming, Remote driver)

EXAMPLE (Acoustic Baffle): LX - AC - DB - LB - SL - A

(Luxxbox Ac-Lipse, Dark Blue, Light Blue, Silver anodized, acoustic baffle)

LX - AC						
PRODUCT CODE	PANEL COLOR	FRAME FINISH	COLOR TEMP	REGION / DIMMING		DRIVER TYPE
AC	Use color codes as shown (For acoustic baffle specify two)	Use finish codes as shown	30 3000K 35 3500K 40 4000K A* Acoustic	UNV G	Universal 110-277VAC / 0 - 10V 10% dimming (North America only) Global 220 - 240V 1% dimming DSI / DALI	RD Remote driver CD Canopy concealed driver

\*For acoustic baffle only, specify A in the 'color temp' column and leave the remaining columns blank

## AVAILABLE COLORS

Colors are subject to lead times and variations across batches

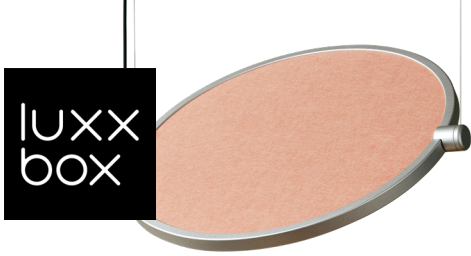


Luxxbox reserves the right to change the specification, material and colors at any time without notice. Standard warranty terms and conditions apply. All rights reserved. © Aug 2020 Ver 3.2  
All dimensions and values on specification sheet are nominal.



LUXXBOX USA INC × (P)+1 (415) 871 0448 × USA@LUXXBOX.COM  
LUXXBOX PTY LTD × (P)+61 7 3257 2822 × INFO@LUXXBOX.COM  
WWW.LUXXBOX.COM





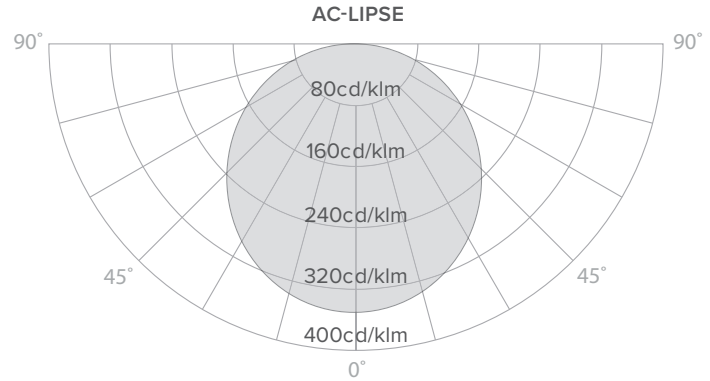
# AC-LIPSE (LX-AC)

TYPE:

## PHOTOMETRICS

AC-LIPSE (23.5" / 600mm)	
Total Lumen Output	4500lm
Wattage	60W
Efficacy	75 lumens per watt
CRI	90
CCT	3000, 3500, 4000 K

## LUMINOUS INTENSITY DISTRIBUTION



## DRIVER INFORMATION

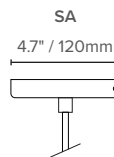
Meanwell - 10% DIMMING			
Driver Code	Watts	Output	Compliance
ELG-100-42AB-3Y	100W	21-42VDC	

Tridonic - 1% DIMMING			
Driver Code	Watts	Output	Compliance
Tridonic LCA 60W 1500mA one4all SR PRE	60W	20-40VDC	

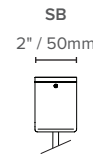
## CANOPY INFORMATION

Please note power cord and canopy will always be supplied in black unless specified otherwise.

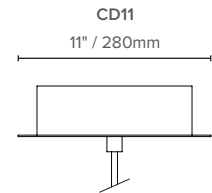
SIZE	NORTH AMERICA		GLOBAL	
	DRIVER OPTION	DRIVER OPTION	DRIVER OPTION	DRIVER OPTION
AC	SA	CD11	SB	CD11



1.77" / 45mm



2.36" / 60mm



3.42" / 87mm

Luxxbox reserves the right to change the specification, material and colors at any time without notice. Standard warranty terms and conditions apply. All rights reserved. © Aug 2020 Ver 3.2  
All dimensions and values on specification sheet are nominal.



LUXXBOX USA INC × (P)+1 (415) 871 0448 × USA@LUXXBOX.COM  
LUXXBOX PTY LTD × (P)+61 7 3257 2822 × INFO@LUXXBOX.COM  
WWW.LUXXBOX.COM





# AC-LIPSE (LX-AC)

TYPE:

## MATERIAL SPECIFICATIONS

	COLOR CODES: BL, BY, BB, C, EG, FG, LG, MG, P, SB, T	COLOR CODES: B, W, OW, DB, LB, G, LG, R, O, Y
COLOR FASTNESS TO LIGHT:	ISO 105-B02-1994 Rating: 6-7	ISO 105-B02-1994 Rating: 6-7
FIRE TEST:	AS 1530.3 ISO 9705: Group 1 GB8624 B1 BS EN 13501.1: Classification B-s1, d0	AS ISO 9705 - 2003: Group 1 ISO 9705 - 1993: Group 1s ASTM E-84-14 (A, FS:0 - SD:45) BS EN13501-1:2007+A1:2009 (B-s1, d0)
ENVIRONMENTAL:	PET achieves GreenTag Certification GreenRate: Level A	PET achieves GreenTag Certification GreenRate: Level A
THERMAL TRANSITION:	ASTM C518-2010. R- Value = 0.30 m <sup>2</sup> K/W	ASTM C518-2010. R- Value = 0.30 m <sup>2</sup> K/W
SOUND ABSORPTION:	AS ISO 354 - 2006 Noise reduction coefficient (NRC) = 0.7	AS ISO 354 - 2006 Noise reduction coefficient (NRC) = 0.7
VOC EMISSIONS:	ASTM D5116 Rate: < 0.02 mg/m <sup>2</sup> /hr (7 days)	ASTM D5116 Rate: < 0.01 mg/m <sup>2</sup> /hr (7 days)

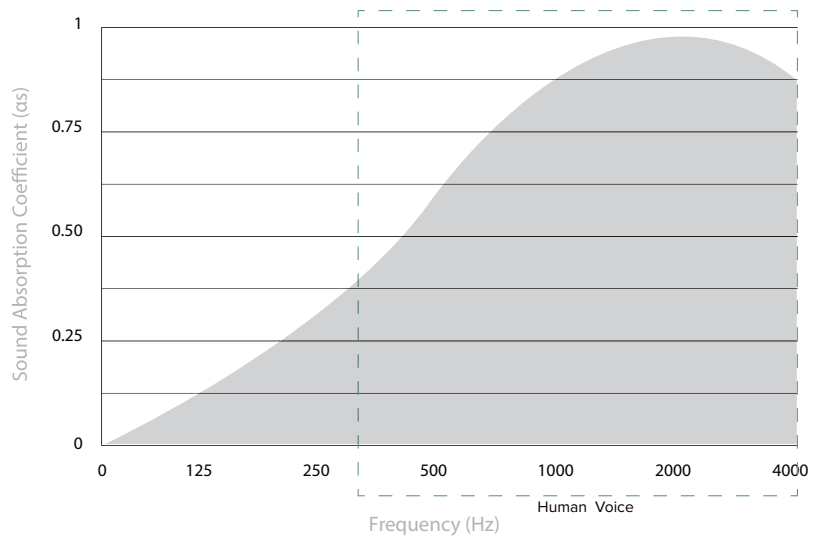
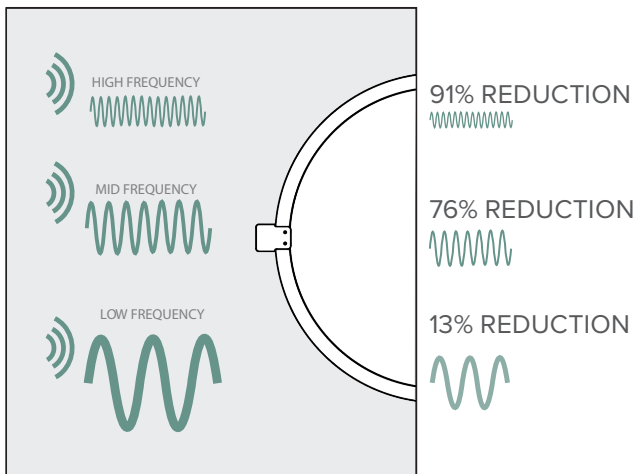
## PET ACOUSTIC PROPERTIES

Products are given a Noise Reduction Coefficient (NRC) from 0 to 1 based on their ability to absorb sound, where 1.0 equals 100% sound absorption. The NRC is used to calculate Sabin value of any surface material. The Sabin value equals the NRC multiplied by the total surface area in squared feet or squared metres.

Ac-lipse	Ac-lipse Acoustic Baffle
3 Sabins (imperial) 0.28 Sabins (metric)	6 Sabins (imperial) 0.56 Sabins (metric)

## ACOUSTIC PROPERTIES

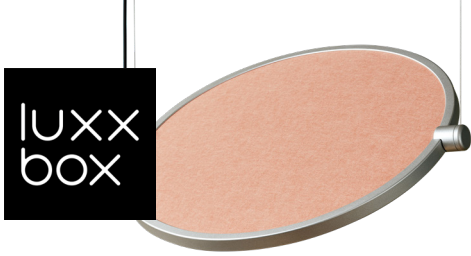
Visualization of decibel decay across the Vapor Echo range. Effects of a 0.75 NRC across a range of frequencies.



Luxbox reserves the right to change the specification, material and colors at any time without notice. Standard warranty terms and conditions apply. All rights reserved. © Aug 2020 Ver 3.2  
All dimensions and values on specification sheet are nominal.

**LUXBOX**  
LUXBOX USA INC × (P)+1 (415) 871 0448 × USA@LUXBOX.COM  
LUXBOX PTY LTD × (P)+61 7 3257 2822 × INFO@LUXBOX.COM  
WWW.LUXBOX.COM

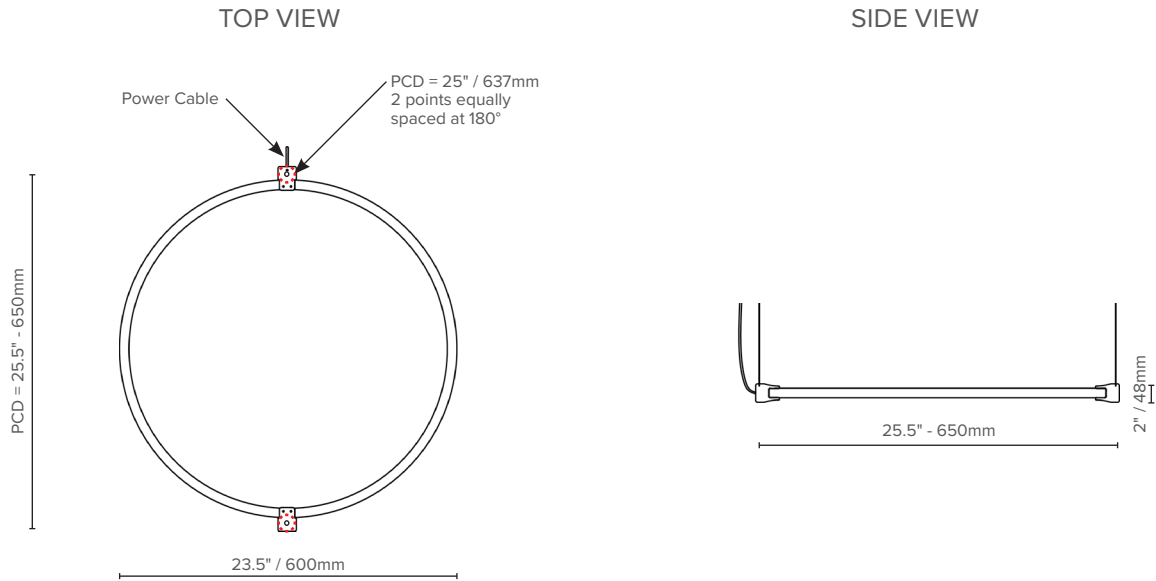




# AC-LIPSE (LX-AC)

TYPE:

## PRODUCT DIMENSIONS

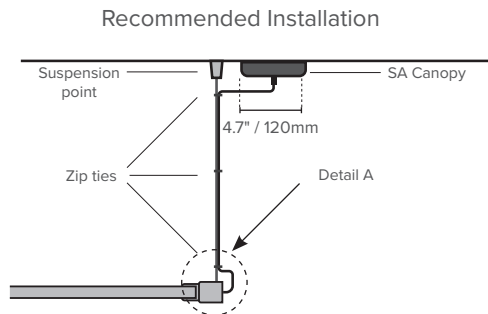


## EXAMPLE: SUSPENSION - POWER

On the 'Detail A' diagram you can see the power cord will always exit the pendant through a hole located 20mm away from the suspension cable.

At the moment we don't supply canopies with suspension points, so our recommended method of installation is shown on the diagram on the right.

You will find more detailed information about the canopy on page 3 of this document or on the Installation Instructions document on our website.



Luxxbox reserves the right to change the specification, material and colors at any time without notice. Standard warranty terms and conditions apply. All rights reserved. © Aug 2020 Ver 3.2  
All dimensions and values on specification sheet are nominal.



LUXXBOX USA INC × (P)+1 (415) 871 0448 × USA@LUXXBOX.COM  
LUXXBOX PTY LTD × (P)+61 7 3257 2822 × INFO@LUXXBOX.COM  
WWW.LUXXBOX.COM

