

TYPE:

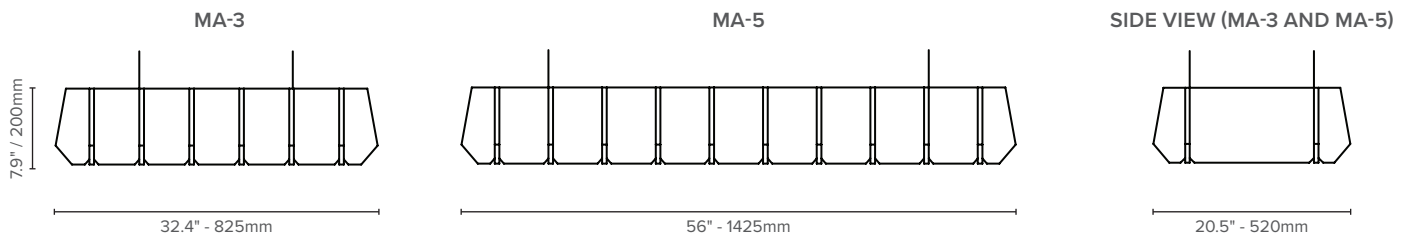
Matrix is part of Luxxbox's acoustically rated pendant series. This rectangular array of cleverly interconnected acoustic panels adds both visual appeal and functional illumination to any space. Available as individual units or custom lengths for infinite cool.



KEY BENEFITS

- Highly effective noise absorption
- High performance dimmable light source (Direct)
- Join any number of fixtures for continuous run lengths
- Optional indirect lighting available (Indirect)
- Height adjustable 9'/3m suspension cables
- 9'/3m woven power cable
- Acoustic panels are 100% recyclable and manufactured from 65% recycled material
- POE available on request
- IES photometric files available
- Bluetooth controller available upon request
- L70 lifetime rating of 50,000 hours

SIZE AND WEIGHT



Output	MA-3			MA-5		
	Delivered Lumens	Wattage	Efficacy Lm/W	Delivered	Wattage	Efficacy Lm/W
Direct OR Indirect	2471	34	73	3645	46	79
Direct AND Indirect	2 x 2471	2 x 34	73	2 x 3645	2 x 46	79
Weight	8.4 lbs / 3.8Kg			14.5 lbs / 6.6 Kg		

ORDER CODE

EXAMPLE: LX - MA - 5 - R - 35 - D - UNV - RD - Y

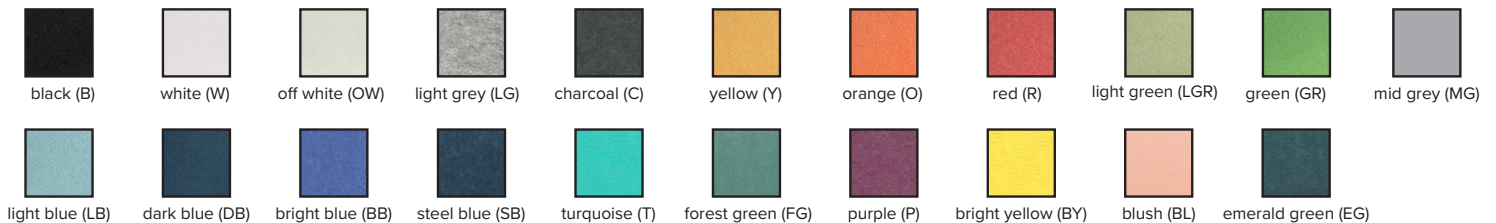
(Luxxbox MATRIX, MA-5 (56" / 1425mm), Red, 3500K, direct output, Universal 110-277V / 0-10V 10% dimming, Remote driver)

LX - MA	LENGTH		SHADE COLOR	COLOR TEMP		OUTPUT		REGION / DIMMING		DRIVER TYPE	
MA	3	32.4" / 825mm	Use color codes as shown	30	3000K	D	Direct	UNV	Universal 110-277VAC / 0 - 10V 10% dimming (North America only) Global 220 - 240V 1% dimming DSI / DALI	RD	Remote driver
	5	56" / 1425mm		35	3500K	I	Indirect			CD	Canopy concealed driver
	C	Custom (specify length)*		40	4000K	DI	Direct + Indirect			OB	On-board driver

*Refer to Matrix Infinite page

AVAILABLE COLORS

Colors are subject to lead times and variations across batches

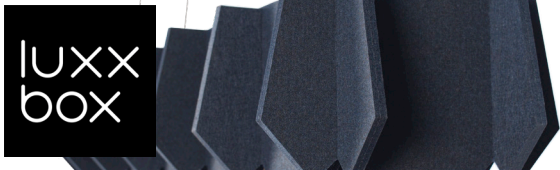


Luxxbox reserves the right to change the specification, material and colours at any time without notice. Standard warranty terms and conditions apply. All rights reserved. © Aug 2020 Ver 5.1
All dimensions and values on specification sheet are nominal.



LUXXBOX USA INC × (P)+1 (415) 871 0448 × USA@LUXXBOX.COM
LUXXBOX PTY LTD × (P)+61 7 3257 2822 × INFO@LUXXBOX.COM
WWW.LUXXBOX.COM





MATRIX (LX-MA)

TYPE:

PHOTOMETRICS

DIRECT OUTPUT

	MA-3 (32.4" - 825mm)
Total Lumens Delivered	2471 lm (915lm/ft - 2995lm/m)
Wattage	34 (12.6/ft - 41.2W/m)
Efficacy	73 lumens per watt
CRI	90
CCT	3000-3500-4000 K

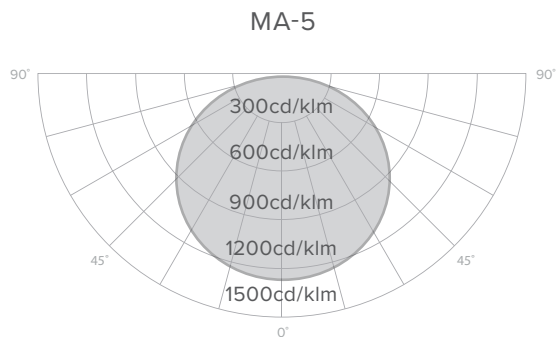
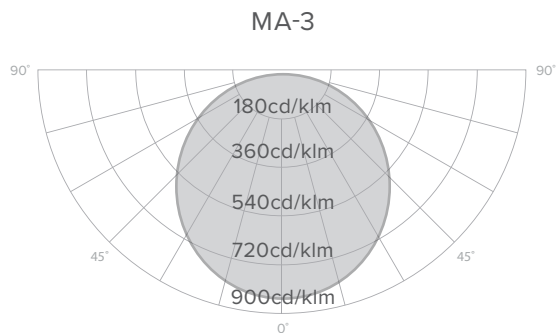
	MA-5 (56" - 1425mm)
Total Lumens Delivered	3645 lm (775lm/ft - 2557lm/m)
Wattage	46 W (17 W/ft - 55.7W/m)
Efficacy	79 lumens per watt
CRI	90
CCT	3000-3500-4000 K

DIRECT+INDIRECT OUTPUT

	MA-3 (32.4" - 825mm)
Total Lumen Delivered	4942 lm (1830lm/ft - 5990lm/m)
Wattage	68 (25.2/ft - 82.4W/m)
Efficacy	73 lumens per watt
CRI	90
CCT	3000-3500-4000 K

	MA-5 (56" - 1425mm)
Total Lumen Delivered	7290 lm (1550lm/ft - 5114lm/m)
Wattage	92 W (34 W/ft - 111.4 W/m)
Efficacy	79 lumens per watt
CRI	90
CCT	3000-3500-4000 K

LUMINOUS INTENSITY DISTRIBUTION

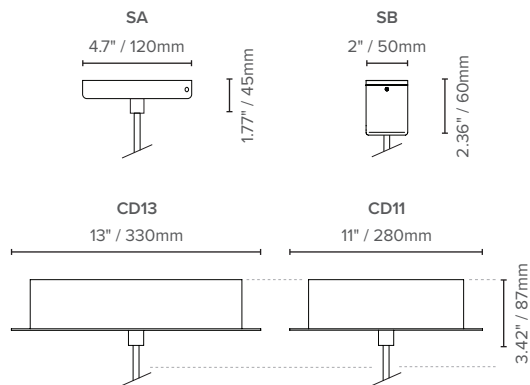


CANOPY INFORMATION

Please note power cord and canopy will always be supplied in black unless specified otherwise.

NORTH AMERICA	DIRECT OR INDIRECT			DIRECT AND INDIRECT			
	SIZE	DRIVER OPTION			DRIVER OPTION		
		RD	CD	OB	RD	CD	OB
MA-3	SA	CD11	SA	SA	CD11	SA	
MA-5	SA	CD11	SA	SA	CD13	SA	

GLOBAL	DRIVER OPTION			DRIVER OPTION			
	SIZE	RD	CD	OB	RD	CD	OB
		RD	CD	OB	RD	CD	OB
MA-3	SB	CD11	SB	SB	CD11	SB	
MA-5	SB	CD11	SB	SB	CD13	SB	






Luxbox reserves the right to change the specification, material and colours at any time without notice. Standard warranty terms and conditions apply. All rights reserved. © Aug 2020 Ver 5.1
All dimensions and values on specification sheet are nominal.







LUXBOX USA INC × (P)+1 (415) 871 0448 × USA@LUXBOX.COM
LUXBOX PTY LTD × (P)+61 7 3257 2822 × INFO@LUXBOX.COM
WWW.LUXBOX.COM



DRIVER INFORMATION

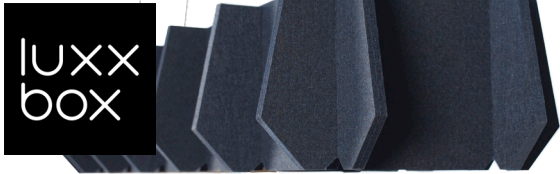
Meanwell - 10% DIMMING					
Size	Output	Driver Code	Watts	Output	Compliance
MA-3 (37.4" / 950mm)	Direct OR Indirect	Meanwell ELG-75-42AB-3Y	75W	42VDC	   SELV Class 2
	Direct AND Indirect	Meanwell ELG-150-48AB-3Y	150W	48VDC	
MA-5 (60" / 1500mm)	Direct OR Indirect	Meanwell ELG-75-42AB-3Y	75W	42VDC	
	Direct AND Indirect	Meanwell ELG-150-48AB-3Y	150W	48VDC	

Tridonic 1% dimming (DALI)					
Size	Output	Driver Code	Watts	Output	Compliance
MEDIUM (37.4" / 950mm)	Direct OR Indirect	Tridonic LCA 60W 1500mA one4all SR PRE	60W	20-40VDC	   SELV  
	Direct AND Indirect	2 x Tridonic LCA 60W 1500mA one4all SR PRE	120W	20-40VDC	
LARGE (60" / 1500mm)	Direct OR Indirect	Tridonic LCA 60W 1500mA one4all SR PRE	60W	20-40VDC	
	Direct AND Indirect	2 x Tridonic LCA 60W 1500mA one4all SR PRE	120W	20-40VDC	

EldoLED 0.1% dimming					
Size	Output	Driver Code	Watts	Output	Compliance
MEDIUM (37.4" / 950mm)	Direct OR Indirect	SL75B-M1A0A1 700MA	75W	2-55VDC	 LISTED  
	Direct AND Indirect	2 x SL75B-M1A0A1 700MA	150W	2-55VDC	
LARGE (60" / 1500mm)	Direct OR Indirect	SL75B-M1A0A1 700MA	75W	2-55VDC	
	Direct AND Indirect	2 x SL75B-M1A0A1 700MA	150W	2-55VDC	

Luxxbox reserves the right to change the specification, material and colours at any time without notice. Standard warranty terms and conditions apply. All rights reserved. © Aug 2020 Ver 5.1
All dimensions and values on specification sheet are nominal.





MATRIX (LX-MA)

TYPE:

MATERIAL SPECIFICATIONS

	COLOR CODES: BL, BY, BB, C, EG, FG, LG, MG, P, SB, T	COLOR CODES: B, W, OW, DB, LB, G, LG, R, O, Y
COLOR FASTNESS TO LIGHT:	ISO 105-B02-1994 Rating: 6-7	ISO 105-B02-1994 Rating: 6-7
FIRE TEST:	AS 1530.3 ISO 9705: Group 1 GB8624 B1 BS EN 13501.1: Classification B-s1, d0	AS ISO 9705 - 2003: Group 1 ISO 9705 - 1993: Group 1s ASTM E-84-14 (A, FS:0 - SD:45) BS EN13501-1:2007+A1:2009 (B-s1, d0)
ENVIRONMENTAL:	PET achieves GreenTag Certification GreenRate: Level A	PET achieves GreenTag Certification GreenRate: Level A
THERMAL TRANSITION:	ASTM C518-2010. R- Value = 0.30 m ² K/W	ASTM C518-2010. R- Value = 0.30 m ² K/W
SOUND ABSORPTION:	AS ISO 354 – 2006 Noise reduction coefficient (NRC) = 0.7	AS ISO 354 – 2006 Noise reduction coefficient (NRC) = 0.7
VOC EMISSIONS:	ASTM D5116 Rate: < 0.02 mg/m ² /hr (7 days)	ASTM D5116 Rate: < 0.01 mg/m ² /hr (7 days)

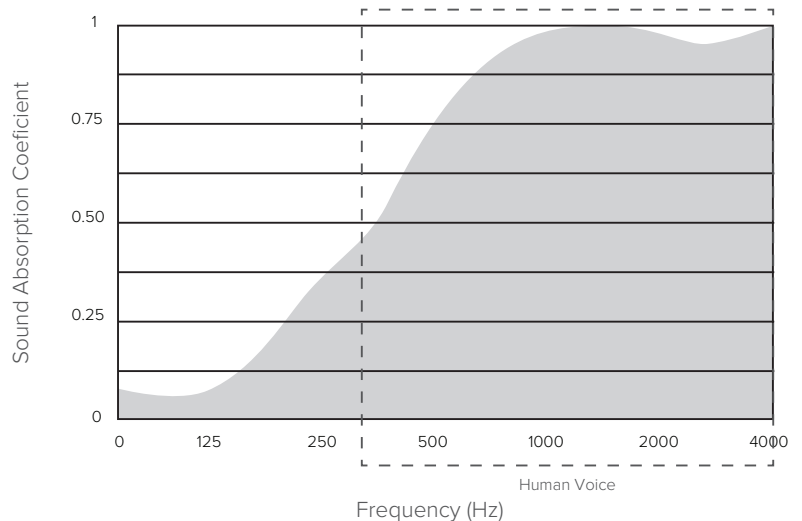
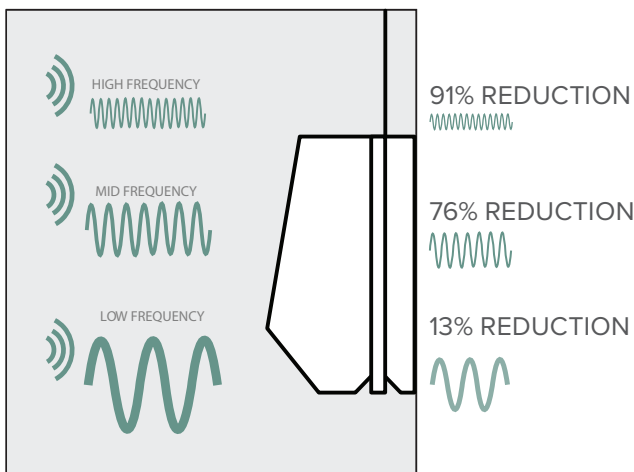
PET ACOUSTIC PROPERTIES

Products are given a Noise Reduction Coefficient (NRC) from 0 to 1 based on their ability to absorb sound, where 1.0 equals 100% sound absorption. The NRC is used to calculate Sabin value of any surface material. The Sabin value equals the NRC multiplied by the total surface area in squared feet or squared metres.

MA-3 (32.4" - 825mm)	MA-5 (56" - 1425mm)
8.46 Sabins (imperial)	14.22 Sabins (imperial)
0.783 Sabins (metric)	1.323 Sabins (metric)

ACOUSTIC PROPERTIES

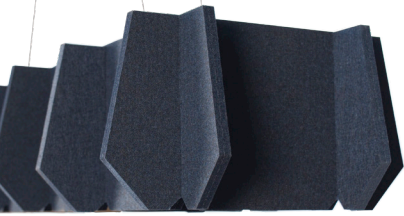
Visualization of decibel decay across the Matrix range. Effects of a 0.9 NRC across a range of frequencies.



Luxbox reserves the right to change the specification, material and colours at any time without notice. Standard warranty terms and conditions apply. All rights reserved. © Aug 2020 Ver 5.1
All dimensions and values on specification sheet are nominal.

LUXBOX
LUXXBOX USA INC × (P)+1 (415) 871 0448 × USA@LUXXBOX.COM
LUXXBOX PTY LTD × (P)+61 7 3257 2822 × INFO@LUXXBOX.COM
WWW.LUXXBOX.COM





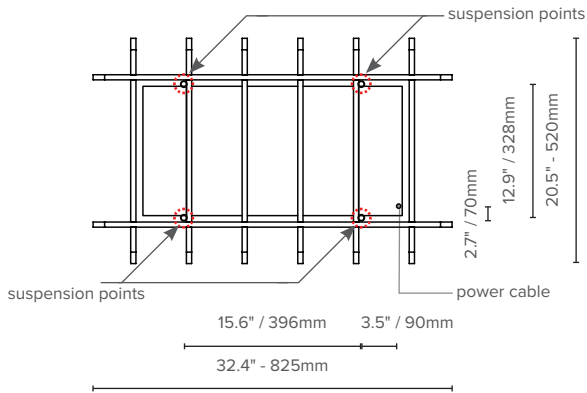
MATRIX (LX-MA)

TYPE:

PRODUCT DIMENSIONS

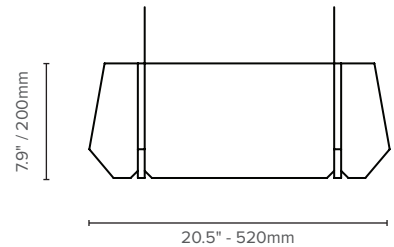
TOP VIEWS

MA-3

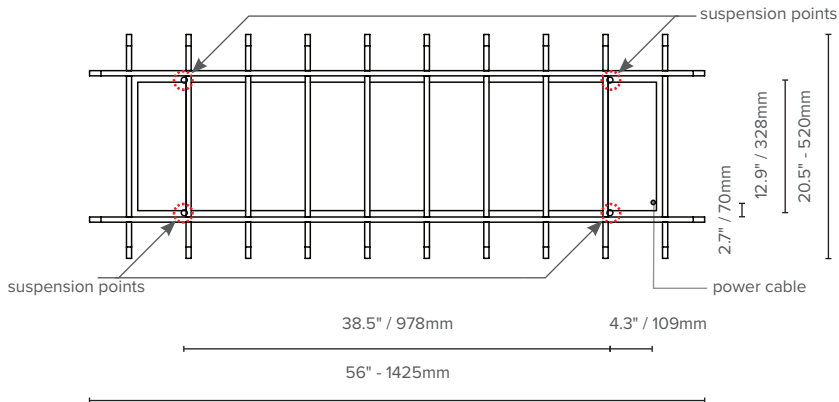


SIDE VIEW

MA-3 AND MA-5



MA-5

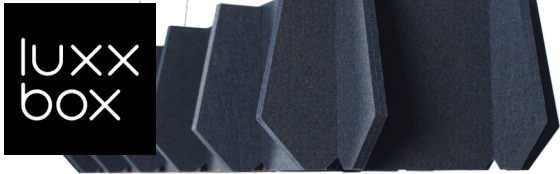


Luxxbox reserves the right to change the specification, material and colours at any time without notice. Standard warranty terms and conditions apply. All rights reserved. © Aug 2020 Ver 5.1
All dimensions and values on specification sheet are nominal.



LUXXBOX USA INC × (P)+1 (415) 871 0448 × USA@LUXXBOX.COM
LUXXBOX PTY LTD × (P)+61 7 3257 2822 × INFO@LUXXBOX.COM
WWW.LUXXBOX.COM





MATRIX (LX-MA)

TYPE:

MATRIX INFINITE

Choose any standard panel size and stack to create run lengths for infinite cool. Interconnected runs of up to 32'(10m) provide the perfect solution for lighting corridors and hallways, while acting as a means of sound management.

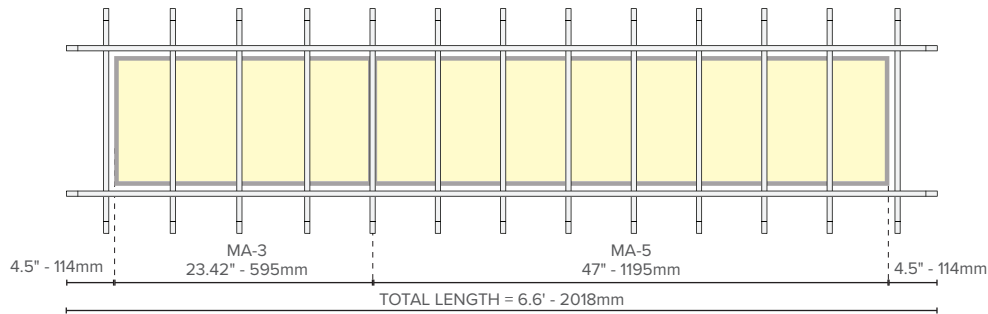
In order to create your custom length, you will have to combine light panels MA-3 and MA-5 and add a length of 4.5" / 114mm to each side. Please see below example drawings for reference.

LIGHT PANEL SIZES	
MA-3	MA-5
23.42" x 11.6"	47" x 11.6"
595 x 295	1195 x 295

EXAMPLE 1 - LENGTH = 6.6' / 2018mm = MA-3 + MA-5

Order code: LX - MA - C(79.45/2018) - O - 35 - D - UNV - RD - Y

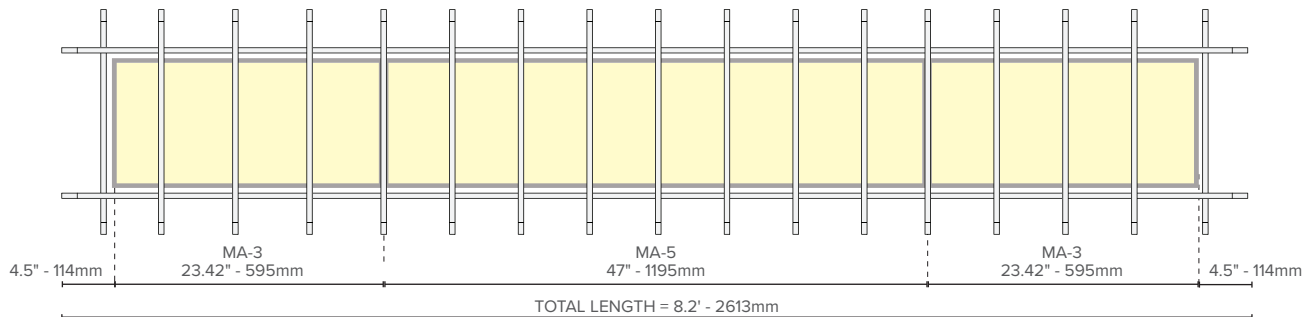
(Luxbox MATRIX, Custom length (79.45" / 2018mm), Orange, 3500K, direct output, Universal 110-277V / 0-10V dimming, Remote driver, Casambi bluetooth)



EXAMPLE 2 - LENGTH = 8.2' / 2613mm = MA-3 + MA-5 + MA-3

Order code: LX - MA - C(8.2'/2613mm) - LGR - 35 - DI - UNV - RD

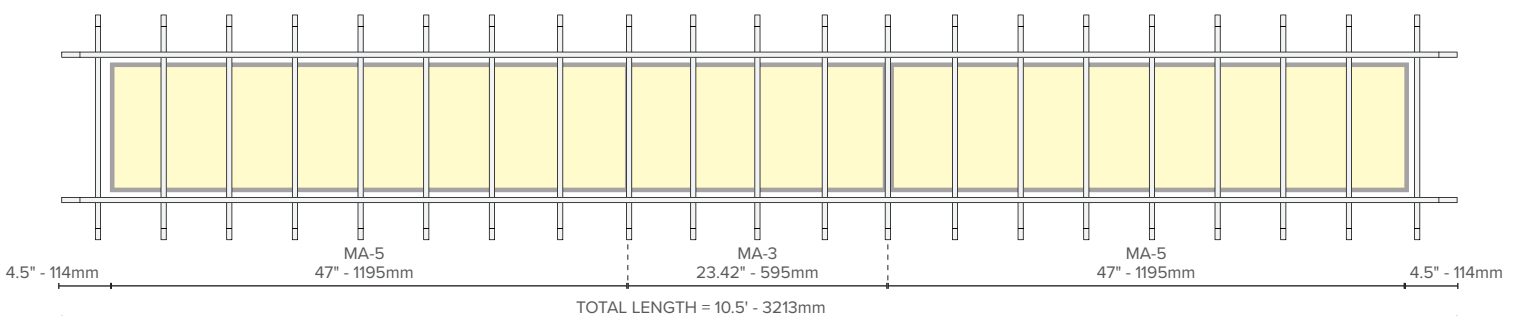
(Luxbox MATRIX, Custom Length (8.2' / 2613mm), Light green, 3500K, direct + indirect output, Global 220-240V DSI/DALI, Remote driver, no Casambi bluetooth)



EXAMPLE 3: LENGTH = 10.5' / 3213mm = MA-5 + MA-3 + MA-5

Order code: LX - MA - C(10.5'/3213mm) - SB - 40 - D - UNV - RD

(Luxbox MATRIX, Custom Length (10.5' / 3213mm), steel blue, 4000K, direct output, Global 220-240V DSI/DALI, Remote driver, no Casambi bluetooth)



Luxbox reserves the right to change the specification, material and colours at any time without notice. Standard warranty terms and conditions apply. All rights reserved. © Aug 2020 Ver 5.1
All dimensions and values on specification sheet are nominal.

LUXBOX
LUXBOX USA INC × (P)+1 (415) 871 0448 × USA@LUXBOX.COM
LUXBOX PTY LTD × (P)+61 7 3257 2822 × INFO@LUXBOX.COM
WWW.LUXBOX.COM

