



# VAPOR ECHO (LX-VE)

TYPE:

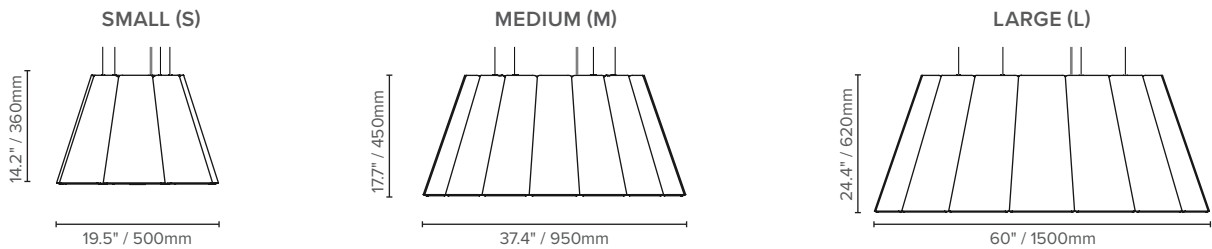
The reimagined Vapor Echo takes its design cues from Luxxbox's classic Vapor pendant light. The pendant is designed for interior collaborative spaces, adding a decorative element that doubles as a highly effective means of sound management with 0.5" / 12mm acoustic panels. Vapor Echo is available in a wide range of colors and 3 sizes.

## KEY BENEFITS

- Highly effective noise absorption
- Available in 3 sizes and a wide range of colors
- High performance dimmable LED light source (Direct)
- Optional upwards dimmable LED wash lighting available (Indirect)
- Height adjustable 9' / 3m suspension cables
- 9' / 3m length of black woven power cable per fixture
- POE available on request
- IES photometric files available
- Bluetooth controller available upon request
- Can be mounted flush to ceiling
- L70 lifetime rating of 50,000 hours
- Available in the MOTIF collection

**MOTIF**

## SIZE AND WEIGHT



|                     | SMALL            |         |               | MEDIUM           |         |               | LARGE            |         |               |
|---------------------|------------------|---------|---------------|------------------|---------|---------------|------------------|---------|---------------|
| Output              | Delivered Lumens | Wattage | Efficacy lm/W | Delivered Lumens | Wattage | Efficacy lm/W | Delivered Lumens | Wattage | Efficacy lm/W |
| Direct OR Indirect  | 1680             | 19      | 88            | 4500             | 57      | 79            | 4500             | 57      | 79            |
| Direct AND Indirect | 3360             | 38      | 88            | 9000             | 114     | 79            | 9000             | 114     | 79            |
| Weight              | 17.6 lbs / 8 Kg  |         |               | 30.8 lbs / 14 Kg |         |               | 66.1 lbs / 30 Kg |         |               |

## ORDER CODE

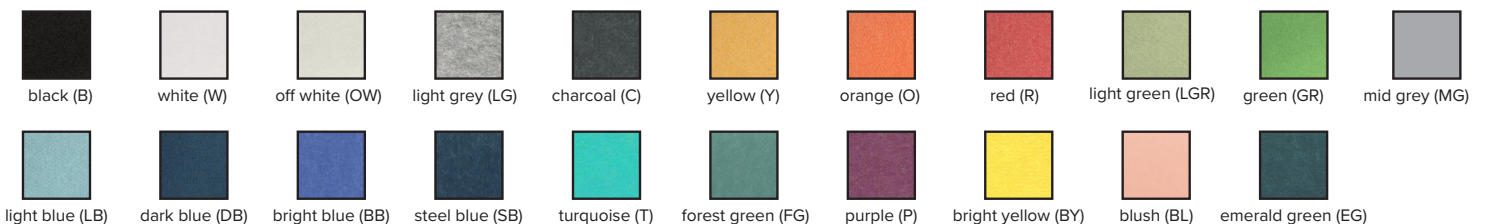
EXAMPLE: LX - VE - L - R - 40 - DI - UNV - RD

(Luxxbox Vapor Echo, Large (dia 60" / 1500mm x 24.4" / 620mm), Red, 4000K, direct/indirect output, Universal 110-277V / 0-10V dimming, Remote driver)

| LX - VE | SIZE | SHADE COLOR              | COLOR TEMP | OUTPUT   | REGION / DIMMING   | DRIVER TYPE |
|---------|------|--------------------------|------------|--|--|-------------|
| VE      | S    | Use color codes as shown | 30         | D Direct<br>I Indirect<br>DI Direct + Indirect | UNV Universal 110 - 277V / 0 - 10V<br>10% dimming (North America only)<br>G Gobl 220-240V<br>1% dimming DSI/DALI | RD          |
|         | M    |                          | 35         |  |  | CB          |
|         | L    |                          | 40         |  |  | OD          |

## AVAILABLE COLORS

Colors are subject to lead times and variations across batches



Luxxbox reserves the right to change the specification, material and colors at any time without notice. Standard warranty terms and conditions apply. All rights reserved. © Nov 2020 Ver 5.1  
All dimensions and values on specification sheet are nominal.



# VAPOR ECHO (LX-VE)

TYPE:

## PHOTOMETRICS

LIGHT SOURCE SPECIFICATIONS WITH DIRECT LIGHTING

|                        | SMALL (19.5" / 500mm) |                     |
|------------------------|-----------------------|---------------------|
|                        | Direct OR Indirect    | Direct AND Indirect |
| Delivered Lumen Output | 1680lm                | 3360lm              |
| Wattage                | 19W                   | 38W                 |
| Efficacy               | 88 lumens per watt    | 88 lumens per watt  |
| CRI                    | 90                    | 90                  |
| CCT                    | 3000, 3500, 4000 K    | 3000, 3500, 4000 K  |

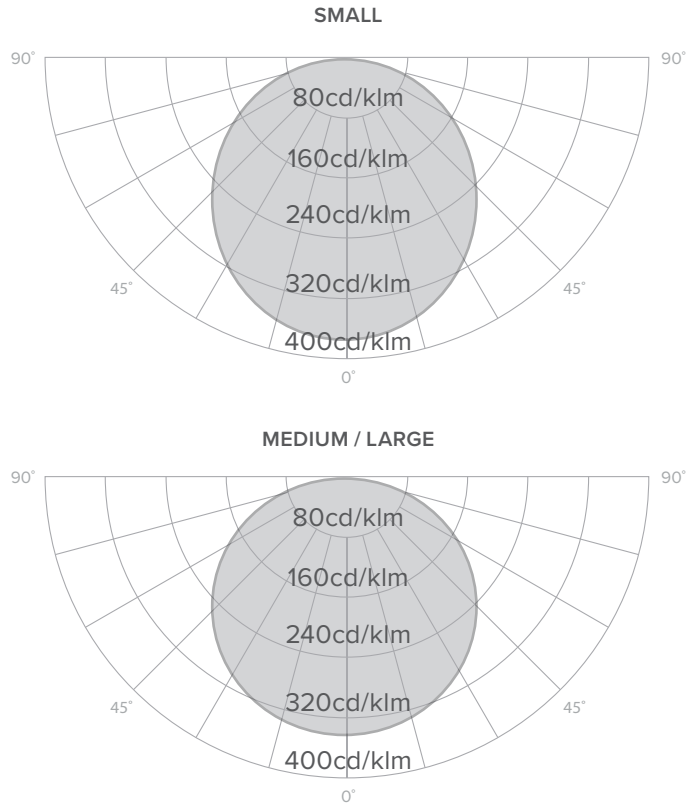
  

|                        | MEDIUM (37.4" / 950mm) |                     |
|------------------------|------------------------|---------------------|
|                        | Direct OR Indirect     | Direct AND Indirect |
| Delivered Lumen Output | 4500lm                 | 9000lm              |
| Wattage                | 57W                    | 114W                |
| Efficacy               | 79 lumens per watt     | 79 lumens per watt  |
| CRI                    | 90                     | 90                  |
| CCT                    | 3000, 3500, 4000 K     | 3000, 3500, 4000 K  |

|                        | LARGE (60" / 1500mm) |                     |
|------------------------|----------------------|---------------------|
|                        | Direct OR Indirect   | Direct AND Indirect |
| Delivered Lumen Output | 4500lm               | 9000lm              |
| Wattage                | 57W                  | 114W                |
| Efficacy               | 79 lumens per watt   | 79 lumens per watt  |
| CRI                    | 90                   | 90                  |
| CCT                    | 3000, 3500, 4000 K   | 3000, 3500, 4000 K  |

## LUMINOUS INTENSITY DISTRIBUTION

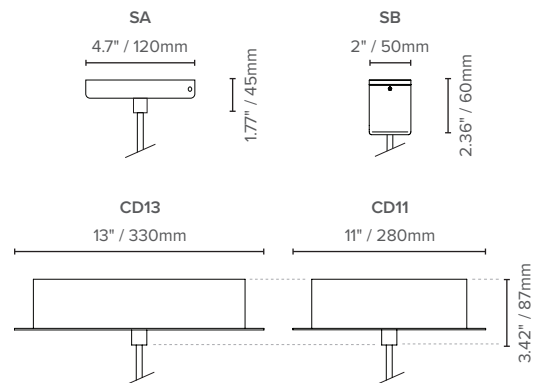


\*Luminous intensity applies for each LED panel (Direct / Indirect).

## CANOPY INFORMATION

Please note power cord and canopy will always be supplied in black unless specified otherwise.

|               | DIRECT OR INDIRECT |               |      | DIRECT AND INDIRECT |    |      |    |
|---------------|--------------------|---------------|------|---------------------|----|------|----|
|               | SIZE               | DRIVER OPTION |      |                     | RD | CD   | OB |
| NORTH AMERICA | VE-S               | SA            | CD11 | SA                  | SA | CD11 | SA |
|               | VE-M               | SA            | CD11 | SA                  | SA | CD13 | SA |
|               | VE-L               | SA            | CD11 | SA                  | SA | CD13 | SA |
| GLOBAL        | SIZE               | DRIVER OPTION |      |                     | RD | CD   | OB |
|               | VE-S               | SB            | CD11 | SB                  | SB | CD11 | SB |
|               | VE-M               | SB            | CD11 | SB                  | SB | CD13 | SB |
|               | VE-L               | SB            | CD11 | SB                  | SB | CD13 | SB |



Luxxbox reserves the right to change the specification, material and colors at any time without notice. Standard warranty terms and conditions apply. All rights reserved. © Nov 2020 Ver 5.1  
All dimensions and values on specification sheet are nominal.



# VAPOR ECHO (LX-VE)

TYPE:

## DRIVER INFORMATION

| Meanwell - 10% DIMMING |                        |                          |       |        |            |
|------------------------|------------------------|--------------------------|-------|--------|------------|
| Size                   | Output                 | Driver Code              | Watts | Output | Compliance |
| SMALL (19.5" / 500mm)  | Direct<br>AND Indirect | Meanwell ELG-75-36AB-3Y  | 75W   | 36VDC  | <br><br>   |
| MEDIUM (37.4" / 950mm) | Direct<br>AND Indirect | Meanwell ELG-150-48AB-3Y | 150W  | 48VDC  |            |
| LARGE (60" / 1500mm)   | Direct<br>AND Indirect | Meanwell ELG-150-48AB-3Y | 150W  | 48VDC  |            |

| Tridonic 1% dimming (DALI) |                       |   |       |          |              |
|----------------------------|-----------------------|---|-------|----------|--------------|
| Size                       | Output                | Driver Code                               | Watts | Output   | Compliance   |
| SMALL (19.5" / 500mm)      | Direct<br>OR Indirect | Tridonic LCA 25W<br>550mA one4all SR PRE  | 25    | 20-46VDC | <br><br><br> |
| MEDIUM (37.4" / 950mm)     | Direct<br>OR Indirect | Tridonic LCA 60W<br>1500mA one4all SR PRE | 60W   | 20-40VDC |              |
| LARGE (60" / 1500mm)       | Direct<br>OR Indirect | Tridonic LCA 60W<br>1500mA one4all SR PRE | 60W   | 20-40VDC |              |

| EldoLED 0.1% dimming   |                       |                    |       |          |            |
|------------------------|-----------------------|--------------------|-------|----------|------------|
| Size                   | Output                | Driver Code        | Watts | Output   | Compliance |
| SMALL (19.5" / 500mm)  | Direct<br>OR Indirect | SL30B-M1Z0A1 150MA | 30W   | 15-42VDC | <br><br>   |
| MEDIUM (37.4" / 950mm) | Direct<br>OR Indirect | SL75B-M1A0A1 700MA | 75W   | 2-55VDC  |            |
| LARGE (60" / 1500mm)   | Direct<br>OR Indirect | SL75B-M1A0A1 700MA | 75W   | 2-55VDC  |            |

Luxxbox reserves the right to change the specification, material and colors at any time without notice. Standard warranty terms and conditions apply. All rights reserved. © Nov 2020 Ver 5.1  
All dimensions and values on specification sheet are nominal.



LUXXBOX USA INC × (P)+1 (415) 871 0448 × USA@LUXXBOX.COM  
LUXXBOX PTY LTD × (P)+61 7 3257 2822 × INFO@LUXXBOX.COM  
WWW.LUXXBOX.COM





# VAPOR ECHO (LX-VE)

TYPE:

## MATERIAL SPECIFICATIONS

|                          | COLOR CODES: BL, BY, BB, C, EG, FG, LG, MG, P, SB, T                                  | COLOR CODES: B, W, OW, DB, LB, G, LG, R, O, Y  |
|--------------------------|---|--|
| COLOR FASTNESS TO LIGHT: | ISO 105-B02-1994 Rating: 6-7  | ISO 105-B02-1994 Rating: 6-7   |
| FIRE TEST:               | AS 1530.3<br>ISO 9705: Group 1<br>GB8624 B1<br>BS EN 13501.1: Classification B-s1, d0 | AS ISO 9705 - 2003: Group 1<br>ISO 9705 - 1993: Group 1s<br>ASTM E-84-14 (A, FS:0 - SD:45)<br>BS EN13501-1:2007+A1:2009 (B-s1, d0) |
| ENVIRONMENTAL:           | PET achieves GreenTag Certification<br>GreenRate: Level A                             | PET achieves GreenTag Certification<br>GreenRate: Level A  |
| THERMAL TRANSITION:      | ASTM C518-2010. R- Value = 0.30 m <sup>2</sup> K/W                                    | ASTM C518-2010. R- Value = 0.30 m <sup>2</sup> K/W   |
| SOUND ABSORPTION:        | AS ISO 354 – 2006<br>Noise reduction coefficient (NRC) = 0.7                          | AS ISO 354 – 2006<br>Noise reduction coefficient (NRC) = 0.7   |
| VOC EMISSIONS:           | ASTM D5116 Rate: < 0.02 mg/m <sup>2</sup> /hr (7 days)                                | ASTM D5116 Rate: < 0.01 mg/m <sup>2</sup> /hr (7 days)   |

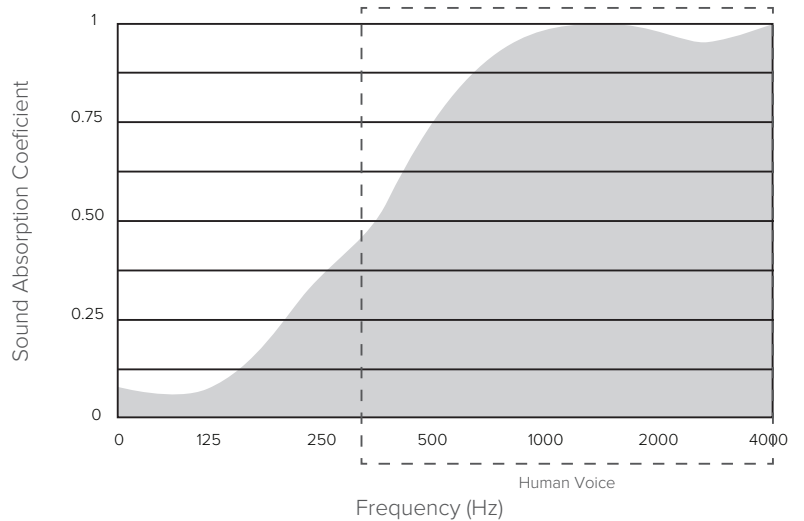
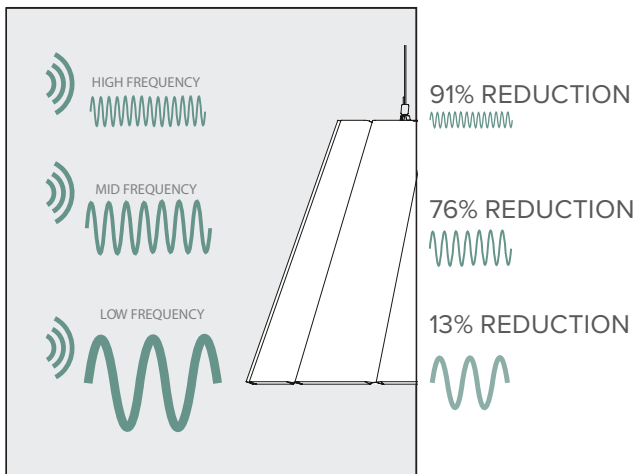
## PET ACOUSTIC PROPERTIES

Products are given a Noise Reduction Coefficient (NRC) from 0 to 1 based on their ability to absorb sound, where 1.0 equals 100% sound absorption. The NRC is used to calculate Sabin value of any surface material. The Sabin value equals the NRC multiplied by the total surface area in squared feet or squared metres.

| (S) dia 19.5" / 500mm x 14.2" / 360mm H       | (M) dia 37.4" / 950mm x 17.7" / 450mm H        | (L) dia 60" / 1500mm x 24.4" / 620mm H         |
|---|--|--|
| 5.8 Sabins (imperial)<br>0.54 Sabins (metric) | 14.3 Sabins (imperial)<br>1.32 Sabins (metric) | 30.6 Sabins (imperial)<br>2.84 Sabins (metric) |

## ACOUSTIC PROPERTIES

Visualization of decibel decay across the Vapor Echo range. Effects of a 0.7 NRC across a range of frequencies.



Luxbox reserves the right to change the specification, material and colors at any time without notice. Standard warranty terms and conditions apply. All rights reserved. © Nov 2020 Ver 5.1  
All dimensions and values on specification sheet are nominal.



LUXBOX USA INC × (P)+1 (415) 871 0448 × USA@LUXBOX.COM  
LUXBOX PTY LTD × (P)+61 7 3257 2822 × INFO@LUXBOX.COM  
WWW.LUXBOX.COM



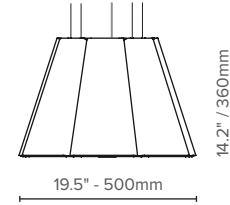
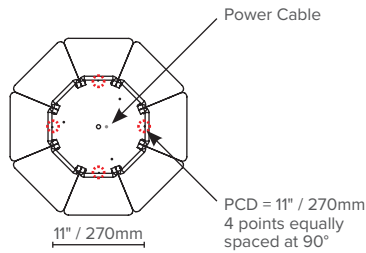


## PRODUCT DIMENSIONS

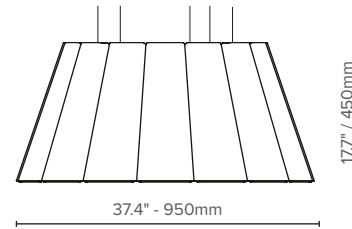
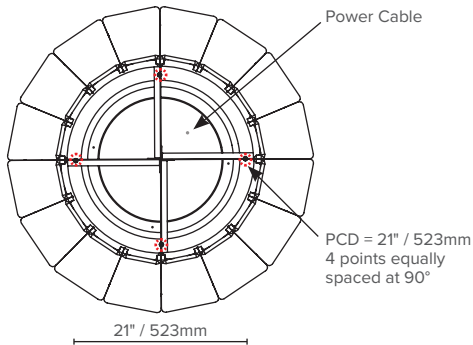
### TOP VIEWS

### SIDE VIEWS

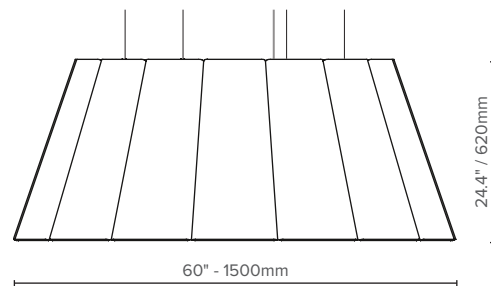
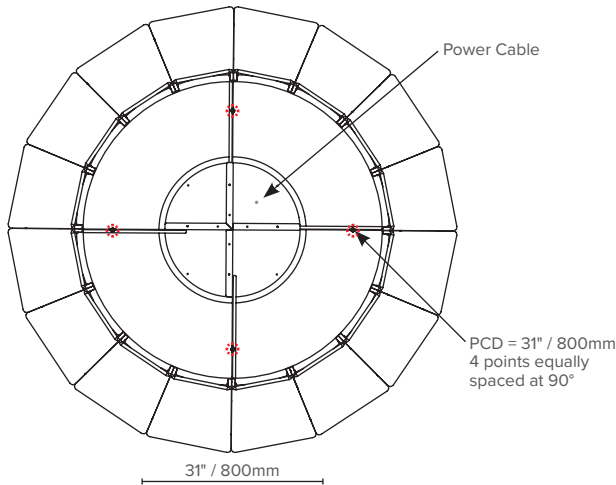
SMALL



MEDIUM



LARGE



Luxxbox reserves the right to change the specification, material and colors at any time without notice. Standard warranty terms and conditions apply. All rights reserved. © Nov 2020 Ver 5.1  
All dimensions and values on specification sheet are nominal.



LUXXBOX USA INC × (P)+1 (415) 871 0448 × USA@LUXXBOX.COM  
LUXXBOX PTY LTD × (P)+61 7 3257 2822 × INFO@LUXXBOX.COM  
WWW.LUXXBOX.COM

