



VAPOR ECHO RECTILINEAR (LX-VER)

TYPE: LX-VER-



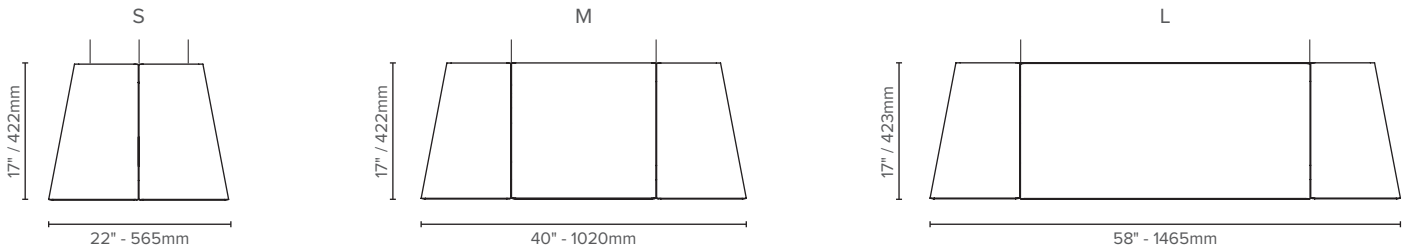
KEY FEATURES

- Highly effective noise absorption
- 3 sizes and a wide range of colors
- High performance dimmable LED light source (Direct) and optional upwards wash dimmable LED lighting (Indirect)
- UGR<19
- Height adjustable 9' / 3m suspension cables and Black woven power cable
- IES / LDT photometric files available
- L70 lifetime rating of 50,000 hours
- Can be mounted flush to ceiling

OPTIONAL EXTRAS

- Additional options available upon request:
- 0.1% dimming option
 - POE
 - Bluetooth controller (US & EU)
 - Tunable White
 - White canopy and power cord
 - BABA Act Certificate

SIZE, OUTPUT AND WEIGHT



		Delivered Lumen Output			Wattage (W)	Efficacy (lm/W)	CRI	UGR	Beam Angle		CCT	Weight
		DOWN	UP	TOTAL					DOWN	UP		
VER-S	DIRECT	1682 lm	0	2471 lm	23	73.1	90+	<19	114°	-	3000K 3500K 4000K	10.6lbs
	DIRECT+INDIRECT	1682 lm	1682 lm	3364 lm	46	73.1			114°	114°		4.8Kg
VER-M	DIRECT	2471 lm	0	2471 lm	34	72.7			114°	-		14.6lbs
	DIRECT+INDIRECT	2471 lm	2471 lm	4942 lm	68	72.7			114°	114°		6.6Kg
VER-L	DIRECT	3645 lm	0	3645 lm	46	79.2			114°	-	27.8lbs	
	DIRECT+INDIRECT	3636 lm	3636 lm	7272	92	79.0			114°	114°	12.6Kg	

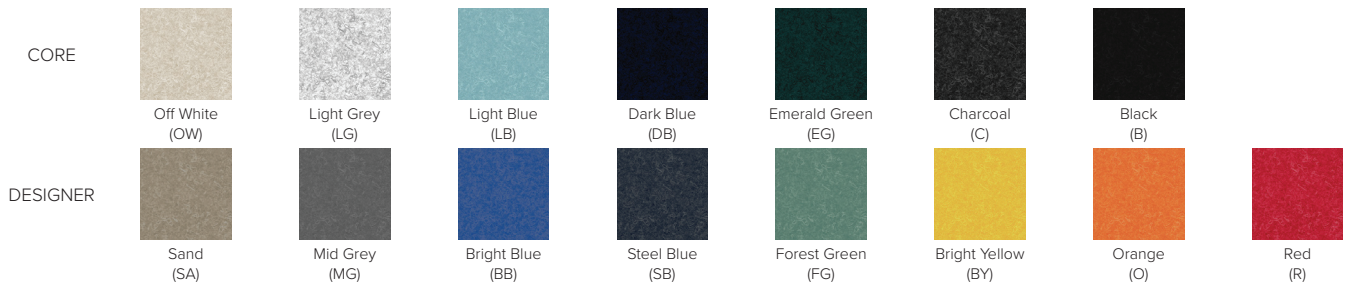
ORDER CODE

EXAMPLE: LX - VER - L - SA - 40 - G - RD

(Luxxbox Vapor Echo Rectilinear, Size L (58" x 17" / 1465 x 423mm), Sand PET color, 4000K, Global 220-240V 1% dimming, Remote driver)

LX - VER											
PRODUCT CODE	SIZE	SHADE COLOR	COLOR TEMP		OUTPUT		REGION / DIMMING		DRIVER TYPE		
VER	S	Use color codes as shown below	30	3000K	D	Direct	UNV	Universal 110 - 277V / 0-10V 1% Dimming (North America only)	CD	Canopy concealed driver (UNV/North America)	
			35	3500K	I	Indirect				RD	Remote driver (UNV or G)
	M		40	4000K	DI	Direct+Indirect	G	Global 220-240V 1% dimming DSI/DALI			
	L										

AVAILABLE COLORS



Luxxbox reserves the right to change the specification, material and colors at any time without notice. Standard warranty terms and conditions apply. All rights reserved © All dimensions and values on specification sheet are nominal. March 2025. LX-Vapor-Echo-Rectilinear-Spec-Sheet_A4 v7.0



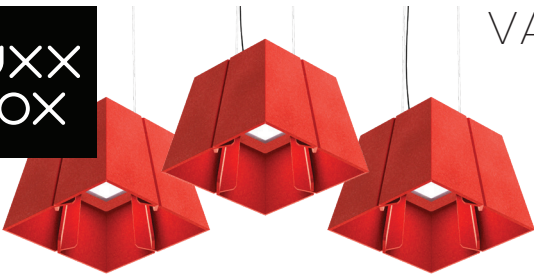
LUXXBOX USA INC
(P)+1 (415) 871 0448 × USA@LUXXBOX.COM
WWW.LUXXBOX.COM





VAPOR ECHO RECTILINEAR (LX-VER)

TYPE: LX-VER-

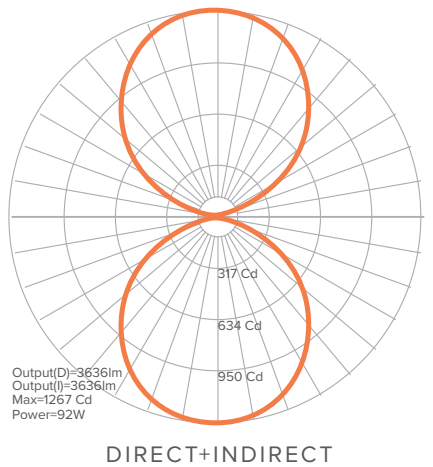
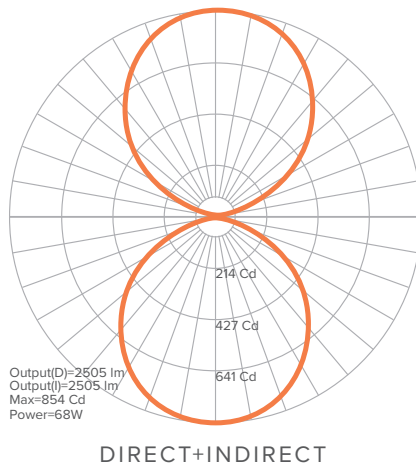
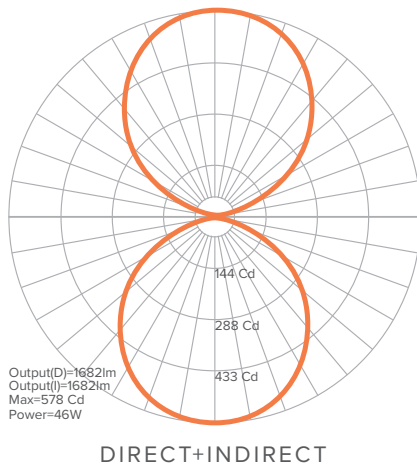
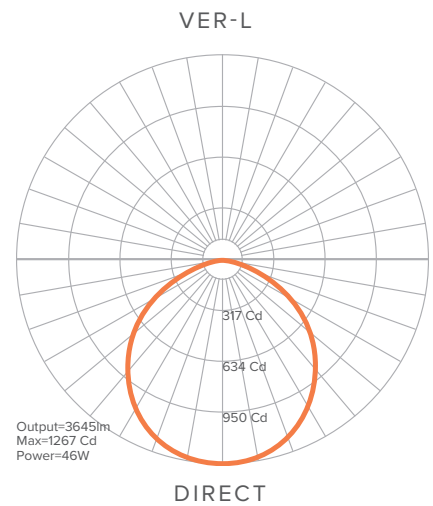
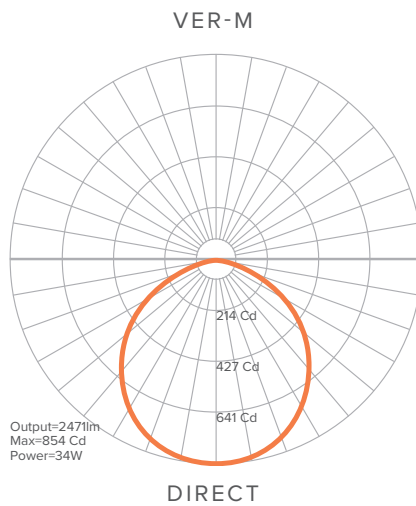
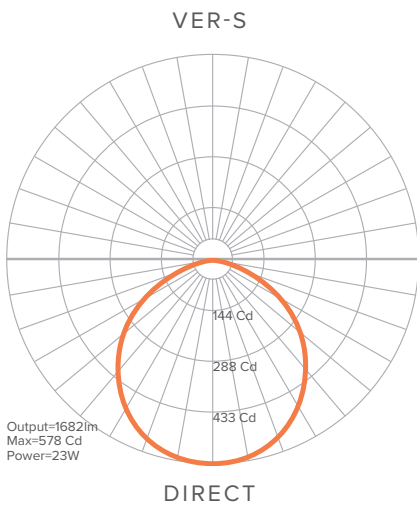


PHOTOMETRICS

LIGHT SOURCE SPECIFICATIONS

		Delivered Lumen Output			Wattage (W)	Efficacy (lm/W)	CRI	UGR	Beam Angle		CCT	Weight
		DOWN	UP	TOTAL					DOWN	UP		
VER-S	DIRECT	1682 lm	-	2471 lm	23	73.1	90+	<19	114°	-	3000K 3500K 4000K	10.6lbs
	DIRECT+INDIRECT	1682 lm	1682 lm	3364 lm	46	73.1			114°	114°		4.8Kg
VER-M	DIRECT	2471 lm	-	2471 lm	34	72.7			114°	-		14.6lbs
	DIRECT+INDIRECT	2471 lm	2471 lm	4942 lm	68	72.7			114°	114°		6.6Kg
VER-L	DIRECT	3645 lm	-	3645 lm	46	79.2			114°	-		27.8lbs
	DIRECT+INDIRECT	3636 lm	3636 lm	7272 lm	92	79.0			114°	114°		12.6Kg

LUMINOUS INTENSITY DISTRIBUTION



Luxbox reserves the right to change the specification, material and colors at any time without notice. Standard warranty terms and conditions apply. All rights reserved © All dimensions and values on specification sheet are nominal. March 2025. LX-Vapor-Echo-Rectilinear-Spec-Sheet_A4 v7.0



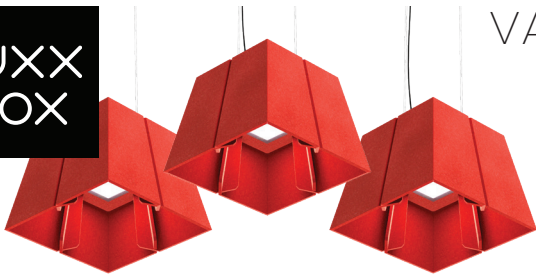
LUXBOX USA INC
(P)+1 (415) 871 0448 × USA@LUXBOX.COM
WWW.LUXBOX.COM





VAPOR ECHO RECTILINEAR (LX-VER)

TYPE: LX-VER-



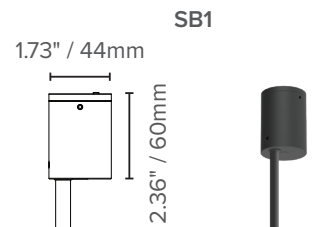
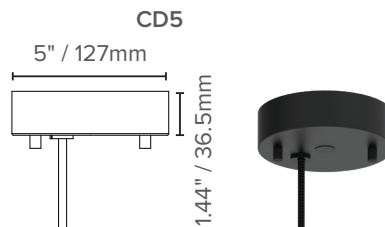
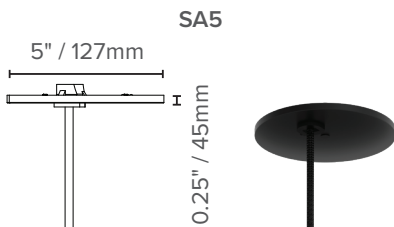
DRIVER INFORMATION

		WATTAGE		MAX VOLTAGE (V)	COMPLIANCE
		DIRECT	DIRECT+INDIRECT		
UNIVERSAL (UNV) 0-10V - 1% dimming 110-277VAC <i>(North America)</i>	S	23W	46W	10-55VDC	
	M	34W	68W		
	L	46W	92W		
GLOBAL (G) 1% dimming DSI DALI 220 - 240VAC	S	23W	46W	6-52V	
	M	34W	68W		
	L	46W	92W		

CANOPY INFORMATION

Please note power cord and canopy will always be supplied in black unless specified otherwise.

		UNV (North America)		G
		RD	CD	RD
VER-S	D	SA5	CD5	SB1
	DI	SA5	CD5	SB1
VER-M	D	SA5	CD5	SB1
	DI	SA5	CD5	SB1
VER-L	D	SA5	CD5	SB1
	DI	SA5	CD5	SB1



Luxxbox reserves the right to change the specification, material and colors at any time without notice. Standard warranty terms and conditions apply. All rights reserved © All dimensions and values on specification sheet are nominal. March 2025. LX-Vapor-Echo-Rectilinear-Spec-Sheet_A4 v7.0



LUXXBOX USA INC
 (P)+1 (415) 871 0448 × USA@LUXXBOX.COM
 WWW.LUXXBOX.COM





VAPOR ECHO RECTILINEAR (LX-VER)

TYPE: LX-VER-

MATERIAL SPECIFICATIONS

COLOR FASTNESS TO LIGHT:	ISO 105-B02-1994 Rating: 6-7
FIRE TEST:	AS 1530.3 / ISO 9705: Group 1 / GB8624 B1 / ASTM E-84-14 (Class A, FSI:20 - SDI:450) / BS EN13501-1:2007+A1:2009 (B-s1, d0)
ENVIRONMENTAL:	PET: GreenTag Certification / GreenRate: Level A
THERMAL TRANSITION:	ASTM C518-2010. R- Value = 0.30 m ² K/W
SOUND ABSORPTION:	AS ISO 354 – 2006 / Noise reduction coefficient (NRC) = 0.85
VOC EMISSIONS:	ASTM D5116 Rate: < 0.01 mg/m ² /hr (7 days)

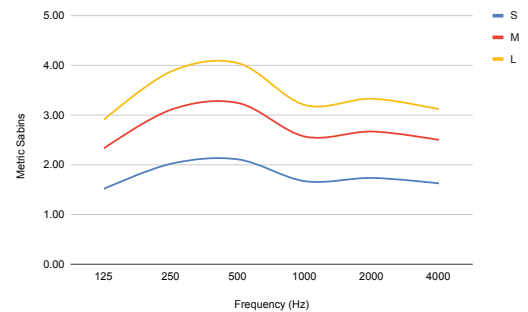
Please note some of these certificates will apply to specific colors.

PRODUCT ACOUSTIC PROPERTIES

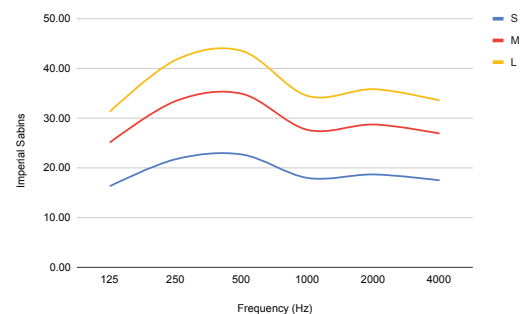
Testing and post analysis procedures were carried out in accordance with the references detailed below:

AS ISO 354-2006 (R2016)	Acoustics—Measurement of sound absorption in a reverberation room
AS ISO 11654—2002	Rating of sound absorption—Materials and systems
ASTM C423-17	Standard Test Method for Sound Absorption and Sound Absorption Coefficients by the Reverberation Room Method
ASTM E795-16	Standard Practices for Mounting Test Specimens During Sound Absorption Tests
ISO 20189	Screens, furniture and single objects intended for interior use – Rating of sound absorption and sound reduction of elements based on laboratory measurements.

SABINS (FT ²)	Frequency (Hz)	Sound Absorption Coefficient	S	M	L
	125	0.69	16.32	25.09	31.30
250	0.92	21.76	33.46	41.73	
500	0.96	22.70	34.91	43.54	
1000	0.76	17.97	27.64	34.47	
2000	0.79	18.68	28.73	35.83	
4000	0.74	17.50	26.91	33.56	



SABINS (M ²)	Frequency (Hz)	Sound Absorption Coefficient	S	M	L
	125	0.69	1.52	2.33	2.91
250	0.92	2.02	3.11	3.88	
500	0.96	2.11	3.24	4.05	
1000	0.76	1.67	2.57	3.20	
2000	0.79	1.74	2.67	3.33	
4000	0.74	1.63	2.50	3.12	



The Sabin data shown above is in accordance with the latest International Standards for the rating of sound absorption and reduction. This is different from the classic methodology, which includes the calculation of the Noise Reduction Coefficient (NRC), the Sound Absorption Average (SAA), the Weighted Sound Absorption Coefficient (α_w) and the Sound Absorption Class (SAC). However, to make it easier to compare against other products, we are including that information on the table on the right, which was calculated using the Horizontal Floor Area method. Fully detailed test reports are available upon request.

NRC	0.85
SAA	0.83
α_w	0.85

Luxbox reserves the right to change the specification, material and colors at any time without notice. Standard warranty terms and conditions apply. All rights reserved © All dimensions and values on specification sheet are nominal. March 2025. LX-Vapor-Echo-Rectilinear-Spec-Sheet_A4 v7.0



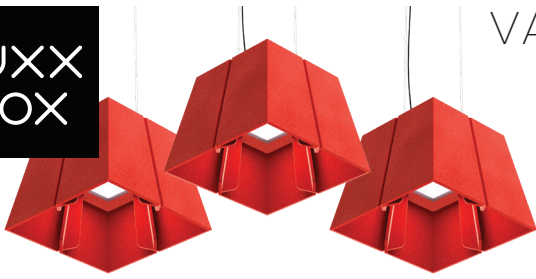
LUXBOX USA INC
(P)+1 (415) 871 0448 × USA@LUXBOX.COM
WWW.LUXBOX.COM





VAPOR ECHO RECTILINEAR (LX-VER)

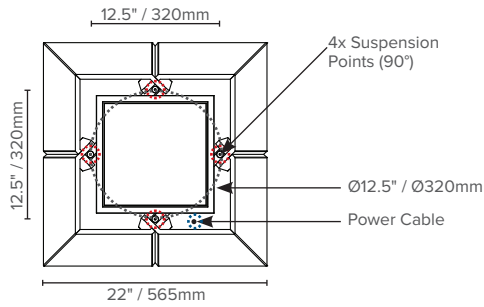
TYPE: LX-VER-



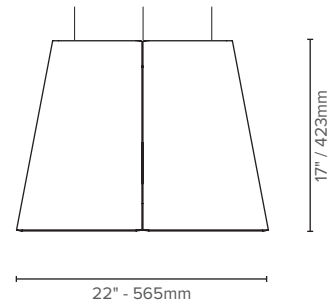
PRODUCT DIMENSIONS

TOP VIEWS

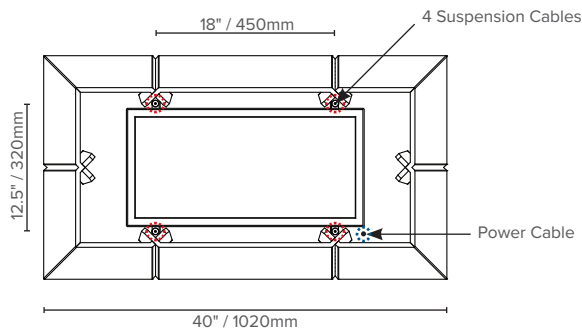
S



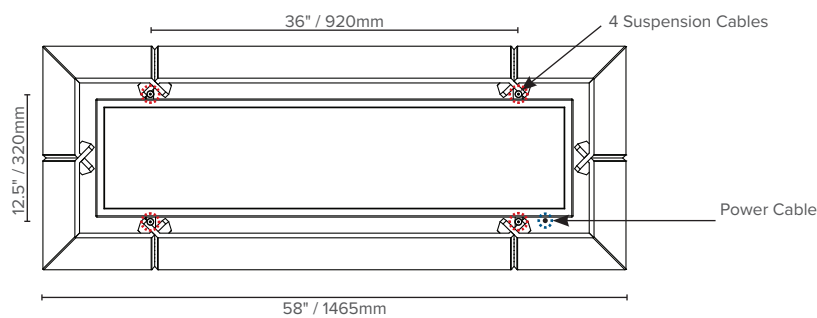
SIDE VIEW



M



L



Luxxbox reserves the right to change the specification, material and colors at any time without notice. Standard warranty terms and conditions apply. All rights reserved © All dimensions and values on specification sheet are nominal. March 2025. LX-Vapor-Echo-Rectilinear-Spec-Sheet_A4 v7.0



LUXXBOX USA INC
(P)+1 (415) 871 0448 × USA@LUXXBOX.COM
WWW.LUXXBOX.COM

