



FRAMES

ACOUSTIC SPACE
DIVIDER SYSTEM

FRAMES SYSTEM

Frames is a versatile acoustic space division system, designed by Luxxbox Studio for easy customization and installation. By combining various Frames elements, you can effortlessly create tailored configurations, such as space dividers, cubicles, privacy booths, or meeting rooms, to perfectly meet your spatial and acoustic needs.

KEY FEATURES

- Easy & quick installation. No specialized tools or external teams required.
- Versatile, flippable and lightweight modules for easy reconfigurations.
- Industry leading sound absorption
- Pre-defined configurations available at the end of the document.
- Wide range of decorative and textured finish options
- Adjustable feet included on all modules.
- Suspended and free-standing options

OPTIONAL EXTRAS

- Different colour combinations for inner and outer faces within the same module
- Custom colors and modules
- Can be integrated with other acoustic lighting products.
- BABA Act Certificate



SYSTEM OVERVIEW

The system is composed of two module types:

- **Walls (WM):** Available in straight or curved designs and various lengths and heights.
- **Connectors (CM):** Used to join multiple Wall Modules at different angles, available in different shapes and heights.

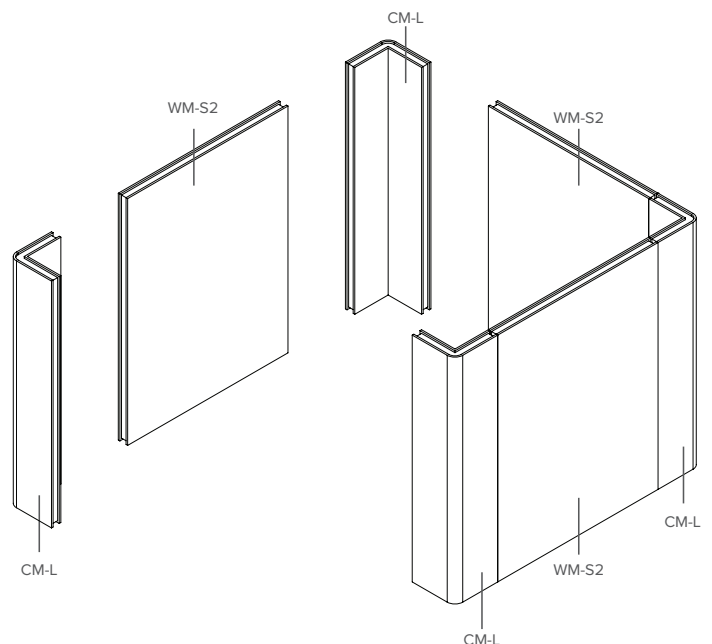
All modules can be ordered as End Modules (EM), with joiners on a single end, or as Middle Modules (MM), with joiners on all ends.

All modules also come in two Height options: '16' (1600mm / 63") or '18' (1800mm / 70.8"). More detailed information for each module is available on p.5

SPECIFICATION METHODS

The specifying process is as versatile and straightforward as the product itself. You can do the following:

- **For unique configurations:** Use the information on pages 6 and 7 to select and configure the modules you are interested in. The Order Code matrix at the bottom of p.5 will help you configure the necessary codes for your project.
- **For standard configurations:** Choose one of the examples on pages 11 to 15 and submit the listed codes adding your choices of Height, Pattern/Finish, Color and Mounting.



Luxxbox reserves the right to change the specification, material and colors at any time without notice. Standard warranty terms and conditions apply. All rights reserved © All dimensions and values on specification sheet are nominal. April 2026. Frames-Spec-Sheet_O v2.3



LUXXBOX USA INC
(P)+1 (415) 871 0448 × USA@LUXXBOX.COM
WWW.LUXXBOX.COM





Luxxbox reserves the right to change the specification, material and colors at any time without notice. Standard warranty terms and conditions apply. All rights reserved © All dimensions and values on specification sheet are nominal. April 2026. Frames-Spec-Sheet_O v2.3



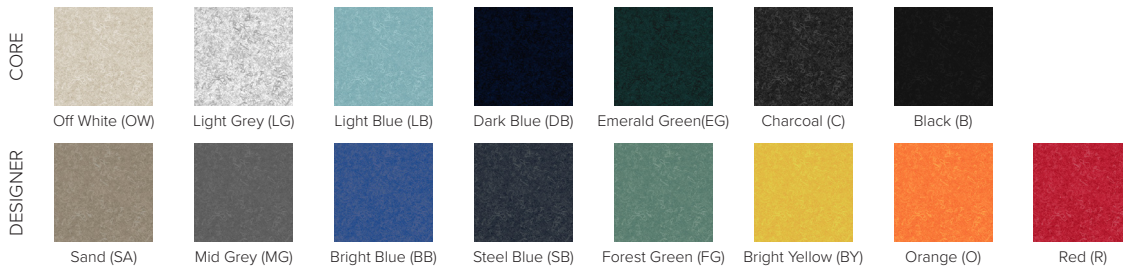
LUXXBOX USA INC
 (P)+1 (415) 871 0448 × USA@LUXXBOX.COM
 WWW.LUXXBOX.COM



AVAILABLE COLOURS

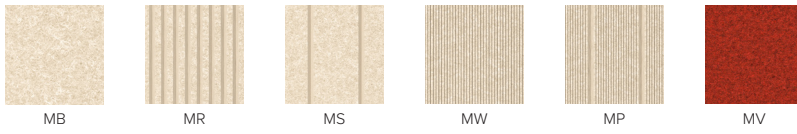
Colours are subject to lead times and variations across batches

SOLID PET COLOUR OPTIONS

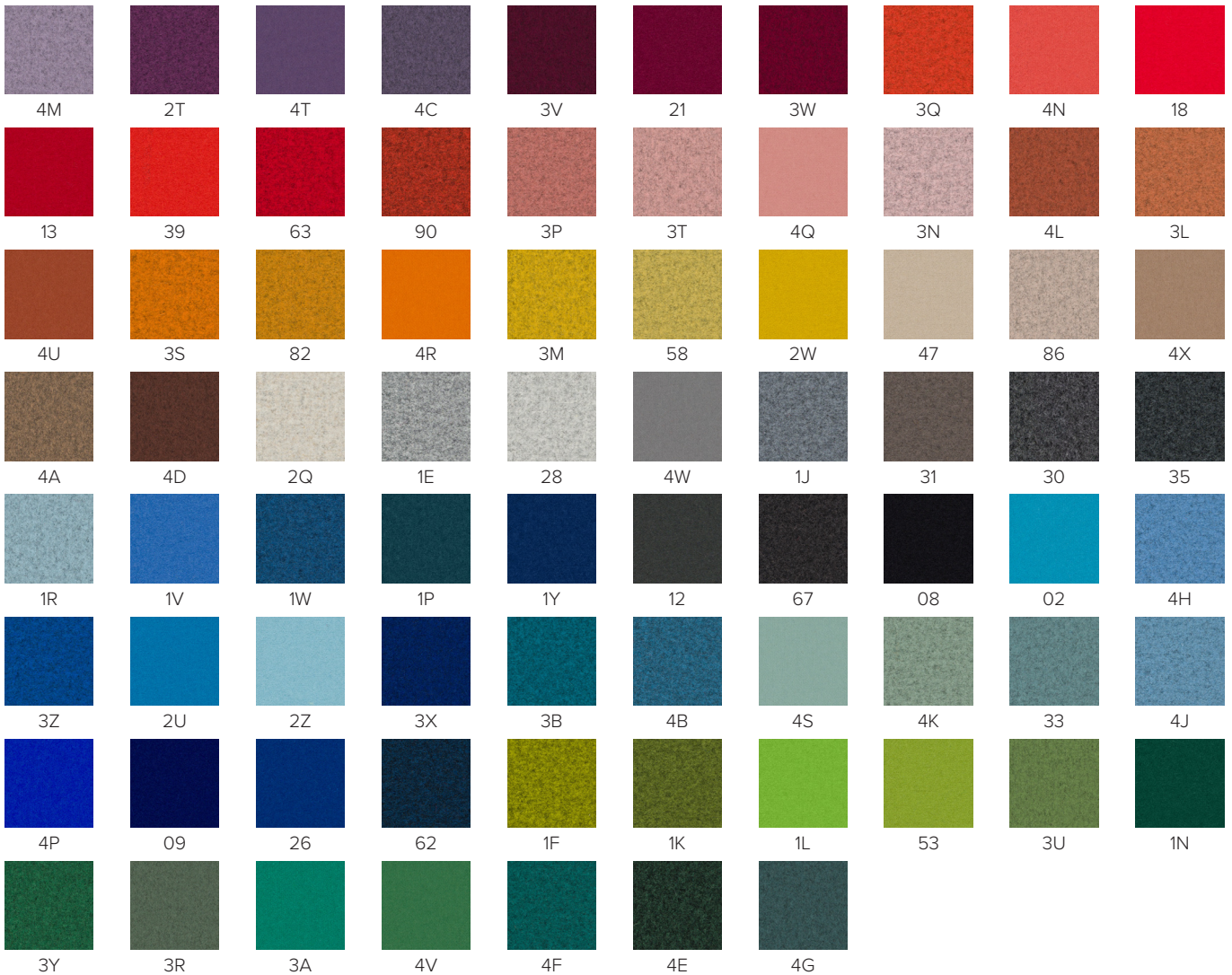


PATTERNS / FINSHES

Please see p.6 for more detailed views of the available patterns.



CLASSIC WOOL COLOUR OPTIONS



Luxxbox reserves the right to change the specification, material and colors at any time without notice. Standard warranty terms and conditions apply. All rights reserved © All dimensions and values on specification sheet are nominal. April 2026. Frames-Spec-Sheet_O v2.3



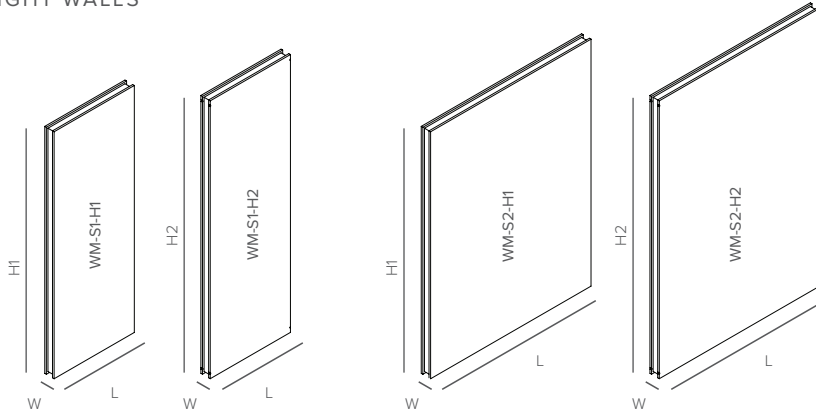
LUXXBOX USA INC
 (P)+1 (415) 871 0448 × USA@LUXXBOX.COM
 WWW.LUXXBOX.COM



SPECIFICATION

Use the provided diagrams and detailed module information for the Frames system, along with the colour and pattern choices on page 6, to generate a unique product code for each module. Refer to the Order Codes table at the bottom of the page to construct these specific codes.

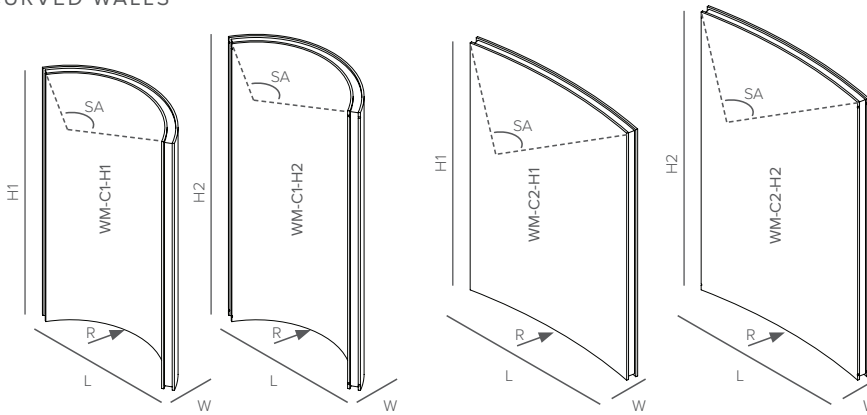
STRAIGHT WALLS



Straight Wall Modules are perfect for creating square or rectangular divisions, forming single or multiple connected spaces.

		L	W	H1	H2
mm	S1	600	70	1600	1800
	S2	1200			
in	S1	23.6"	2.8"	63"	70.9"
	S2	47.2"			

CURVED WALLS

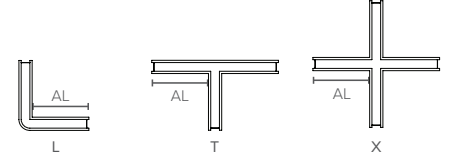
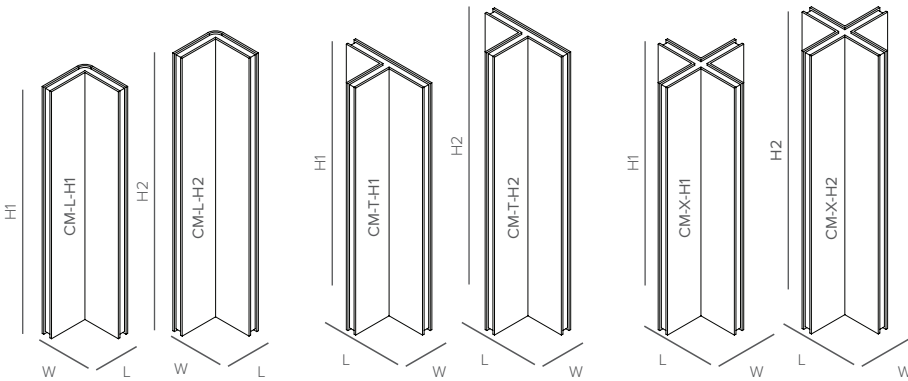


Curved Wall Modules are ideal for creating round spaces, whether these are for meetings, collaborative work or private calls.

		L	W	H1	H2	R	SA
mm	C1	987	320	1600	1800	500	120°
	C2	1198	128			1515	22.5°
in	C1	38.9"	12.6"	63"	70.9"	19.7"	120°
	C2	47.2"	5"			118.1"	22.5°

CONNECTORS

Connectors connect wall modules together in different ways. The L connector is designed for stand-alone configurations, while the T and X connectors are more commonly used to link multiple spaces together.



		FS	L	W	H1	H2	AL
mm	L	320	320	1600	1800	250	
	T	570	320				
	X	570	570				
in	L	12.6"	12.6"	63"	70.9"	9.8"	
	T	22.4"	12.6"				
	X	22.4"	22.4"				

ORDER CODES

EXAMPLE (WALL): LX - FR - WM - C2 - H2 - MB - SA - FS - MM

(Frames System, Curved Wall Module C2 (R: 1515mm / 59.6"), Height 2 (1800mm / 70.8"), Basica pattern, Sand PET color, Free-Standing, Middle module)

EXAMPLE (CONNECTOR): LX - FR - CM - L - H2 - MB - SA - FS - EM

(Frames System, L Connector Module (for 2 modules in L shape, 90"), Height 2 (1800mm / 70.8"), Basica pattern, Sand PET color, Free-Standing, End module)

LX - FR -		HEIGHT		PATTERN		COLOR	MOUNTING		CONNECTIVITY	
PRODUCT CODE	TYPE	H1	H2	MB	MR	Use colour codes as shown on pg. 4	FS	Free-standing Suspended	EM	End Module Middle Module
LX-FR-WM	S1	Wall, Straight, L: 600mm / 23.6"	1600mm / 63"	MB	Ranura				FS	
	S2	Wall, Straight, L: 1200mm / 47.2"	1800mm / 70.8"	MR	Ranura					
	C1	Wall, Curved, R: 500mm / 22.4"		MW	Whisperlines					
	C2	Wall, Curved, R: 1515mm / 59.6"		MS	Shiplap					
LX-FR-CM	L	Connector, L (2 walls at 90°)		MP	Pulse					
	T	Connector, T (3 walls at 90°)		MV	Veil					
	X	Connector, X (4 walls at 90°)								

Luxxbox reserves the right to change the specification, material and colors at any time without notice. Standard warranty terms and conditions apply. All rights reserved © All dimensions and values on specification sheet are nominal. April 2026. Frames-Spec-Sheet_O v2.3



LUXXBOX USA INC
(P)+1 (415) 871 0448 × USA@LUXXBOX.COM
WWW.LUXXBOX.COM

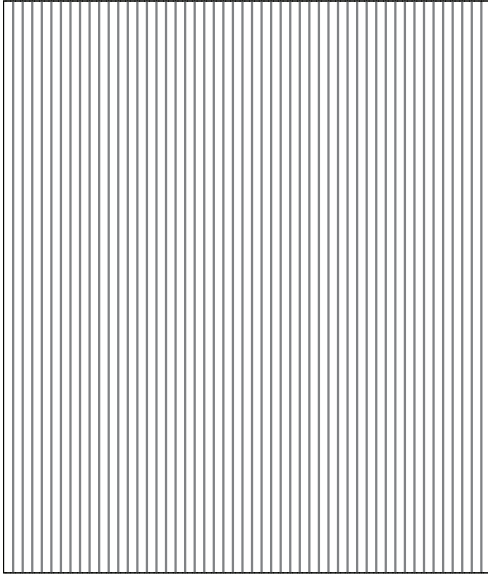


PATTERNS

Please see below line drawings and close-up views of all the available patterns.

RANURA (MR)

Line Drawing

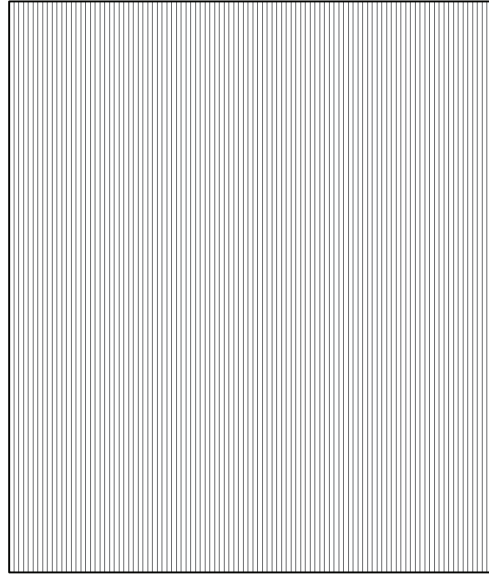


Close-up



WHISPERLINES (MW)

Line Drawing

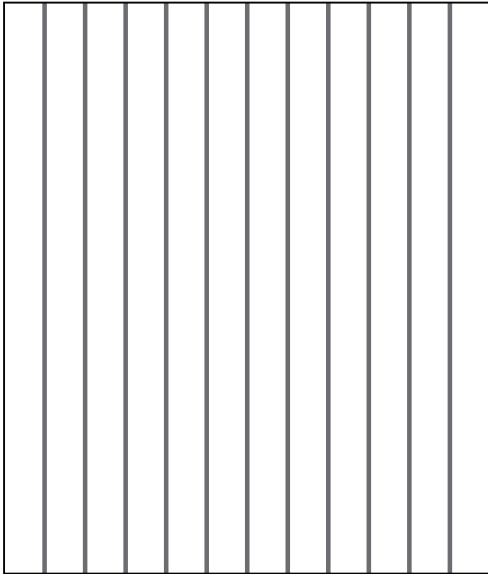


Close-up

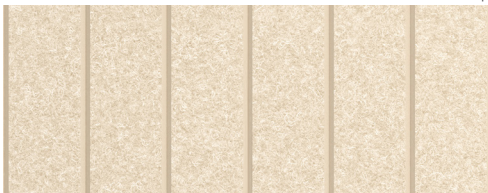


SHIPLAP (MS)

Line Drawing

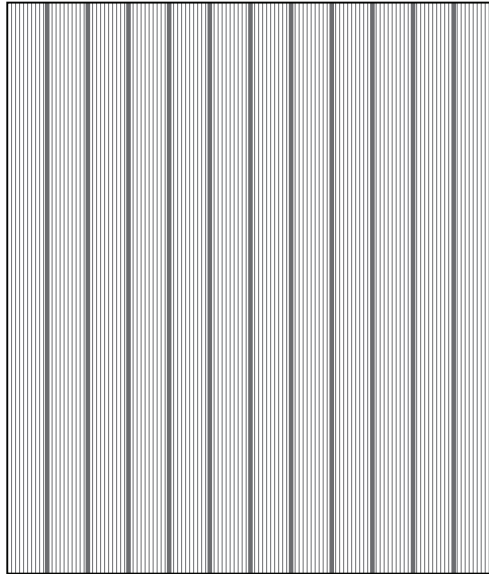


Close-up

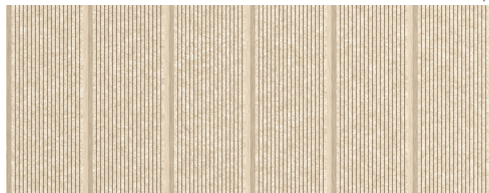


PULSE (MS)

Line Drawing



Close-up



Luxxbox reserves the right to change the specification, material and colors at any time without notice. Standard warranty terms and conditions apply. All rights reserved © All dimensions and values on specification sheet are nominal. April 2026. Frames-Spec-Sheet_O v2.3



LUXXBOX USA INC
(P)+1 (415) 871 0448 × USA@LUXXBOX.COM
WWW.LUXXBOX.COM



TECHNICAL DETAILS

MIDDLE AND END MODULES

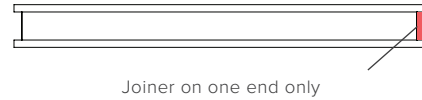
There are two main types for all modules in the Frames system:

End Modules (EM): These modules form the ends of a continuous Frames wall. They are designed without joiners on at least one of its ends to avoid visible, unused connectors at a space's entrance.

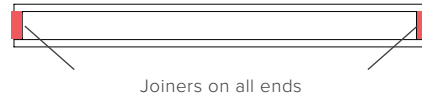
Middle Modules (MM): These modules connect to other modules on all of their arms. They are typically used in the middle section of a continuous Frames wall.

When configuring a fully custom space or divider, make sure you specify the end and Middle Modules properly. See diagram on the right for reference.

End Module (EM)



Middle Module (MM)



MAGNETIC JOINERS

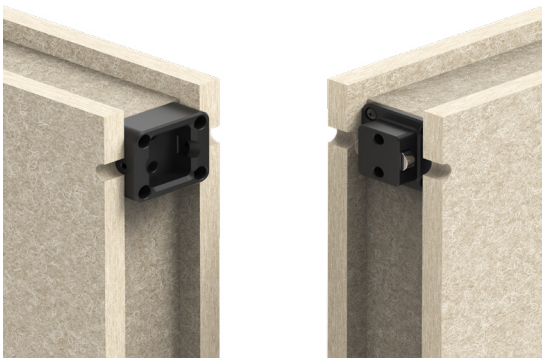
The Frames system incorporates our innovative, patent-pending magnetic joiners in combination with our rod support system, also developed in house. The magnetic joiners leverage magnetic force to achieve a dual function:

Alignment: A magnetic pull guides and connects two modules into the correct position.

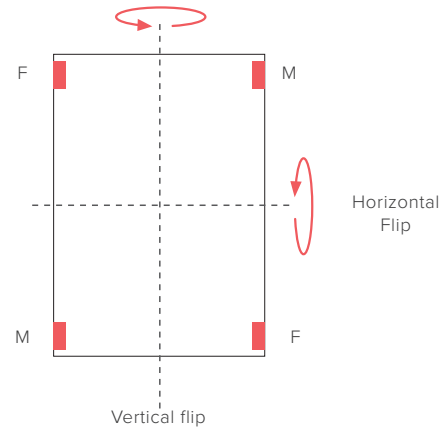
Secure Locking: A mechanical lock then ensures the modules are firmly fixed together.

These joiners are designed in complementary Male (M) and Female (F) versions. A connection is only established when a Male joiner is attached to a Female joiner.

As illustrated in the diagram on below (on the right), the placement of the Male and Female joiners on straight modules has been precisely engineered. This thoughtful positioning allows for the modules to be easily inverted, both horizontally and vertically.



Joiner layout



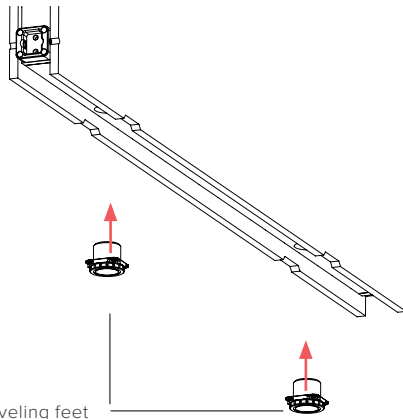
LEVELING FEET

Adjustable feet are supplied separately for tool-free, fast, and easy installation.

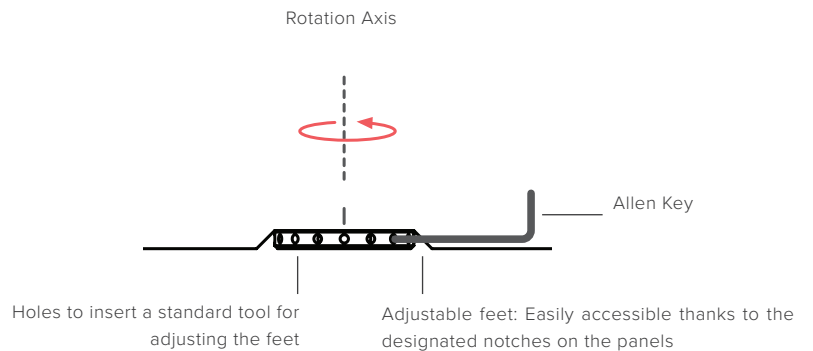
To streamline installation, keep the feet unattached initially. First, lay out all modules, confirm the horizontal or vertical arrangement, and make any necessary adjustments. Once the layout is final, quickly attach the feet to the bottom of each module.

After attaching the adjustable feet and all module connections, fine-tune the height using an Allen key or Philips screwdriver.

INSTALLATION



HEIGHT ADJUSTMENT



Luxxbox reserves the right to change the specification, material and colors at any time without notice. Standard warranty terms and conditions apply. All rights reserved © All dimensions and values on specification sheet are nominal. April 2026. Frames-Spec-Sheet_O v2.3



LUXXBOX USA INC
(P)+1 (415) 871 0448 × USA@LUXXBOX.COM
WWW.LUXXBOX.COM



MATERIAL SPECIFICATIONS

CERTIFICATIONS

A key feature of the Frames System is its material versatility. Recognizing the varied aesthetic and performance requirements of modern design, these acoustic modules are available in two distinct finishes: high-performance PET and luxurious, naturally sourced Wool.

To provide complete transparency and assurance of quality, the specific certifications applicable to each material are delineated below:

	WOOL	PET
COMPOSITION	100% Virgin Wool (Camira Blazer Wool)	100% polyester fiber (98% post-consumer recycled + 2% masterbatch)
COLOUR FASTNESS TO LIGHT:	4-6 (ISO 105 - B02)	ISO 105-B02-1994 Rating: 6-7
FIRE TEST:	AS1530 Part 3, AS3837, ISO5660, BS EN 1021-1&2 Cigarette and Match, BS 7176 Low Hazard, UNI 9175 Classe 1	AS 1530.3 / ISO 9705: Group 1 / GB8624 B1 / ASTM E-84-14 (Class A, FSI:20 - SDI:450) / BS EN13501-1:2007+A1:2009 (B-s1, d0)
ENVIRONMENTAL:	Renewable, Compostable, certified to EU Ecolabel & Indoor Advantage™ Gold	PET: GreenTag Certification / GreenRate: Level A
SOUND ABSORPTION:	BS EN ISO 10534-2: 2001 / Sound Absorption Coefficient	AS ISO 354 – 2006 / Noise reduction coefficient (NRC) = 0.85
THERMAL TRANSITION:	ASTM C518-2010. R- Value = 0.30 m ² K/W	
VOC EMISSIONS:	ASTM D5116 Rate: < 0.01 mg/m ² /hr (7 days)	

Please note some of these certificates will apply to specific colours.

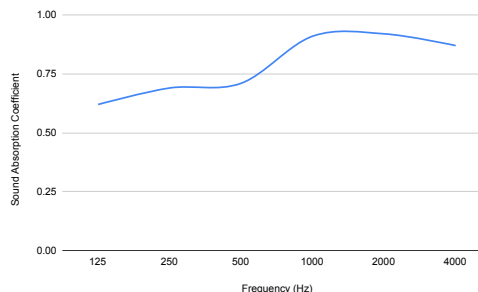
MATERIAL ACOUSTIC PROPERTIES

Our Frames System modules are made out of a hollow structure that enhances acoustic performance by absorbing sound waves and trapping them within its cavity. Below you will find information about the acoustic properties of this material technology. This data will only reflect the capacity of sound absorption of the material technology, and it's not related to a specific Shape or Size.

For detailed information about the acoustic properties of each module, please refer to pages 9 to 10.

AS ISO 354-2006 (R2016)	Acoustics—Measurement of sound absorption in a reverberation room
AS ISO 11654—2002	Rating of sound absorption—Materials and systems
ASTM C423-17	Standard Test Method for Sound Absorption and Sound Absorption Coefficients by the Reverberation Room Method
ASTM E795-16	Standard Practices for Mounting Test Specimens During Sound Absorption Tests
ISO 20189	Screens, furniture and single objects intended for interior use – Rating of sound absorption and sound reduction of elements based on laboratory measurements.

Frequency (Hz)	Sound Absorption Coefficient
125	0.69
250	0.92
500	0.96
1000	0.76
2000	0.79
4000	0.74



The Sabin data shown above is in accordance with the latest International Standards for the rating of sound absorption and reduction. This is different from the classic methodology, which includes the calculation of the Noise Reduction Coefficient (NRC), the Sound Absorption Average (SAA), the Weighted Sound Absorption Coefficient (**aw**) and the Sound Absorption Class (SAC). However, to make it easier to compare against other products, we are including that information on the table on the right, which was calculated using the Horizontal Floor Area method. Fully detailed test reports are available upon request.

NRC	0.85
SAA	0.83
aw	0.85

Luxxbox reserves the right to change the specification, material and colors at any time without notice. Standard warranty terms and conditions apply. All rights reserved © All dimensions and values on specification sheet are nominal. April 2026. Frames-Spec-Sheet_O v2.3



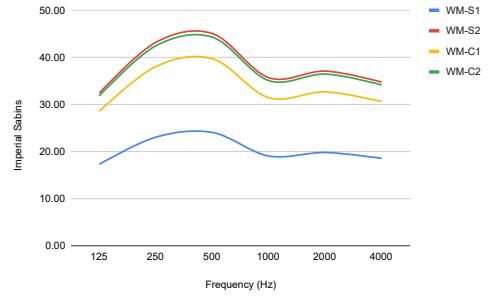
LUXXBOX USA INC
(P)+1 (415) 871 0448 × USA@LUXXBOX.COM
WWW.LUXXBOX.COM



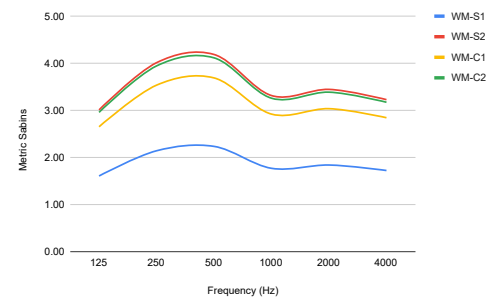
PRODUCT ACOUSTIC PROPERTIES

WALL MODULES: Height 1 (H1: 1600mm / 63")

SABINS (FT ²)	Frequency (Hz)	Sound Absorption Coefficient	S1	S2	C1	C2
	125	0.69	17.29	32.39	28.54	31.83
250	0.92	23.05	43.18	38.05	42.45	
500	0.96	24.06	45.06	39.71	44.29	
1000	0.76	19.04	35.67	31.43	35.06	
2000	0.79	19.80	37.08	32.67	36.45	
4000	0.74	18.54	34.74	30.61	34.14	

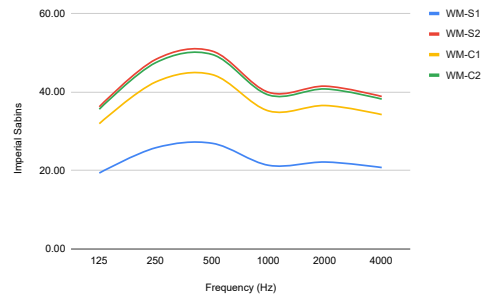


SABINS (M ²)	Frequency (Hz)	Sound Absorption Coefficient	S1	S2	C1	C2
	125	0.69	1.61	3.01	2.65	2.96
250	0.92	2.14	4.01	3.54	3.94	
500	0.96	2.23	4.19	3.69	4.11	
1000	0.76	1.77	3.31	2.92	3.26	
2000	0.79	1.84	3.45	3.04	3.39	
4000	0.74	1.72	3.23	2.84	3.17	

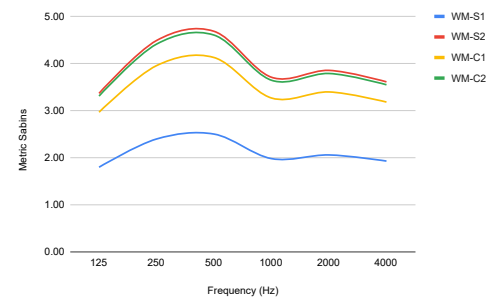


WALL MODULES: Height 2 (H2: 1800mm / 70.8")

SABINS (FT ²)	Frequency (Hz)	Sound Absorption Coefficient	S1	S2	C1	C2
	125	0.69	19.35	36.23	31.93	35.61
250	0.92	25.80	48.31	42.57	47.48	
500	0.96	26.92	50.41	44.42	49.55	
1000	0.76	21.32	39.91	35.17	39.23	
2000	0.79	22.16	41.48	36.56	40.78	
4000	0.74	20.75	38.86	34.24	38.19	



SABINS (M ²)	Frequency (Hz)	Sound Absorption Coefficient	S1	S2	C1	C2
	125	0.69	1.80	3.37	2.97	3.31
250	0.92	2.40	4.49	3.95	4.41	
500	0.96	2.50	4.68	4.13	4.60	
1000	0.76	1.98	3.71	3.27	3.64	
2000	0.79	2.06	3.85	3.40	3.79	
4000	0.74	1.93	3.61	3.18	3.55	



Luxxbox reserves the right to change the specification, material and colors at any time without notice. Standard warranty terms and conditions apply. All rights reserved © All dimensions and values on specification sheet are nominal. April 2026. Frames-Spec-Sheet_O v2.3



LUXXBOX USA INC
 (P)+1 (415) 871 0448 × USA@LUXXBOX.COM
 WWW.LUXXBOX.COM

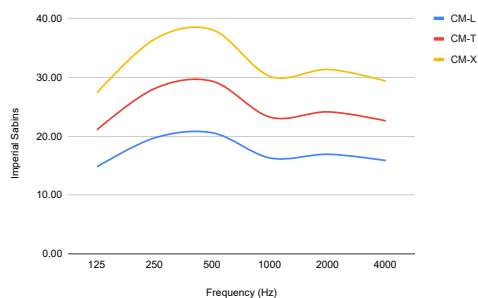


PRODUCT ACOUSTIC PROPERTIES

CONNECTOR MODULES - Height 1 (H1: 1600mm / 63")

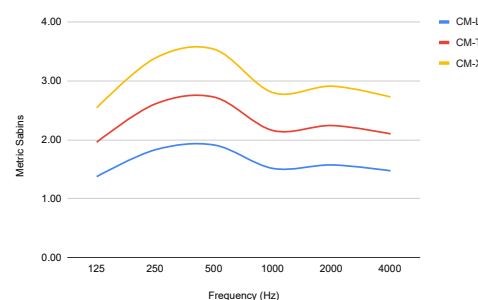
SABINS (FT²)

Frequency (Hz)	Sound Absorption Coefficient	L	T	X
125	0.69	14.77	21.06	27.36
250	0.92	19.70	28.09	36.47
500	0.96	20.56	29.31	38.06
1000	0.76	16.27	23.20	30.13
2000	0.79	16.92	24.12	31.32
4000	0.74	15.84	22.59	29.34



SABINS (M²)

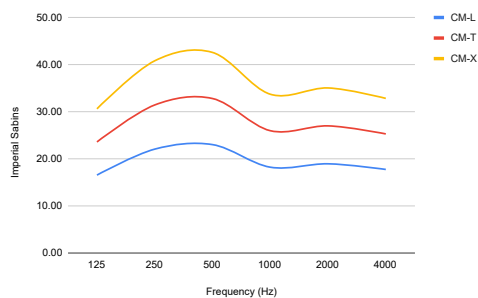
Frequency (Hz)	Sound Absorption Coefficient	L	T	X
125	0.69	1.37	1.96	2.54
250	0.92	1.83	2.61	3.39
500	0.96	1.91	2.72	3.54
1000	0.76	1.51	2.16	2.80
2000	0.79	1.57	2.24	2.91
4000	0.74	1.47	2.10	2.73



CONNECTOR MODULES - Height 2 (H2: 1800mm / 70.8")

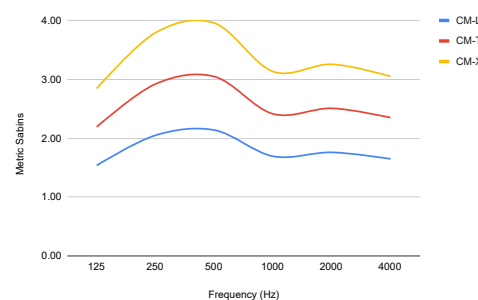
SABINS (FT²)

Frequency (Hz)	Sound Absorption Coefficient	L	T	X
125	0.69	16.54	23.57	30.61
250	0.92	22.05	31.43	40.81
500	0.96	23.01	32.80	42.58
1000	0.76	18.22	25.96	33.71
2000	0.79	18.94	26.99	35.04
4000	0.74	17.74	25.28	32.82



SABINS (M²)

Frequency (Hz)	Sound Absorption Coefficient	L	T	X
125	0.69	1.54	2.19	2.84
250	0.92	2.05	2.92	3.79
500	0.96	2.14	3.05	3.96
1000	0.76	1.69	2.41	3.13
2000	0.79	1.76	2.51	3.26
4000	0.74	1.65	2.35	3.05



Luxxbox reserves the right to change the specification, material and colors at any time without notice. Standard warranty terms and conditions apply. All rights reserved © All dimensions and values on specification sheet are nominal. April 2026. Frames-Spec-Sheet_O v2.3



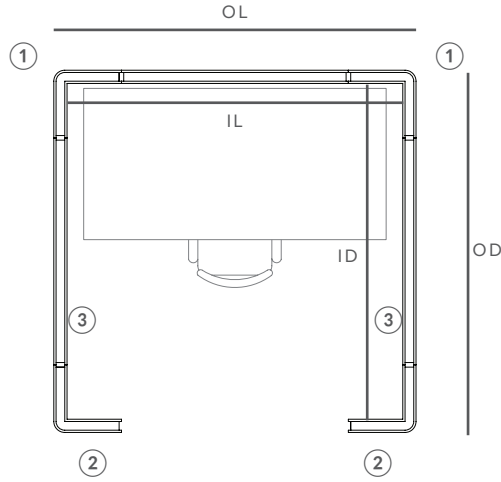
LUXXBOX USA INC
 (P)+1 (415) 871 0448 × USA@LUXXBOX.COM
 WWW.LUXXBOX.COM



CONFIGURATIONS (1/5)

To use the above listed codes for your own order, simply review the height options, the pattern/finish, the color and the mounting method to adjust these according to your needs. Update the codes and use the listed quantities to place your order.

EXAMPLE 01



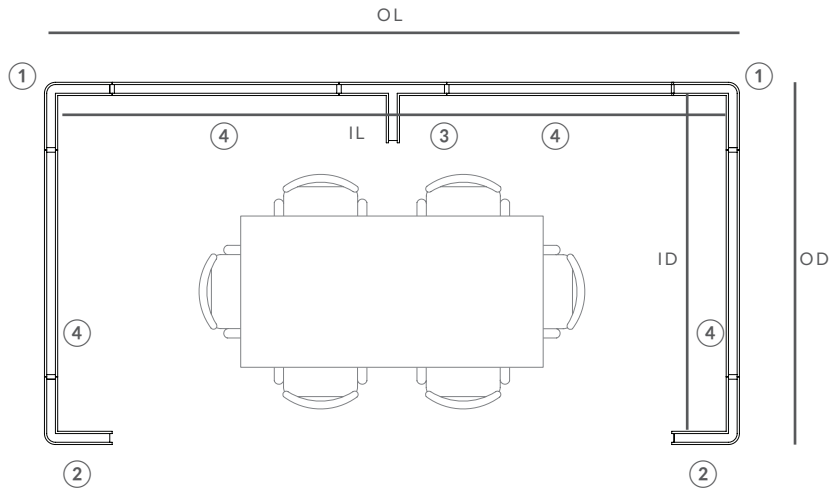
SPECIFICATIONS

Internal Length (IL)	1700mm / 66.9"
Internal Depth (ID)	1700mm / 66.9"
Outer Length (OL)	1840mm / 72.4"
Outer Depth (OD)	1840mm / 72.4"
Height	1600mm / 63"

LIST OF PARTS AND CODES

Item	Product Code	Qty.
1	LX-FR-CM-L-H1-MB-SA-FS-MM	2
2	LX-FR-CM-L-H1-MB-SA-FS-EM	2
3	LX-FR-WM-S2-H1-MB-SA-FS-MM	4

EXAMPLE 02



SPECIFICATIONS

Internal Length (IL)	3470mm / 136.6"
Internal Depth (ID)	1700mm / 66.9"
Outer Length (OL)	3610mm / 142.1"
Outer Depth (OD)	1840mm / 72.4"
Height	1800mm / 70.9"

LIST OF PARTS AND CODES

Item	Product Code	Qty.
1	LX-FR-CM-L-H2-MB-SA-FS-MM	2
2	LX-FR-CM-L-H2-MB-SA-FS-EM	2
3	LX-FR-CM-T-H2-MB-SA-FS-MM	1
4	LX-FR-WM-S2-H2-MB-SA-FS-MM	4

Luxxbox reserves the right to change the specification, material and colors at any time without notice. Standard warranty terms and conditions apply. All rights reserved © All dimensions and values on specification sheet are nominal. April 2026. Frames-Spec-Sheet_O v2.3



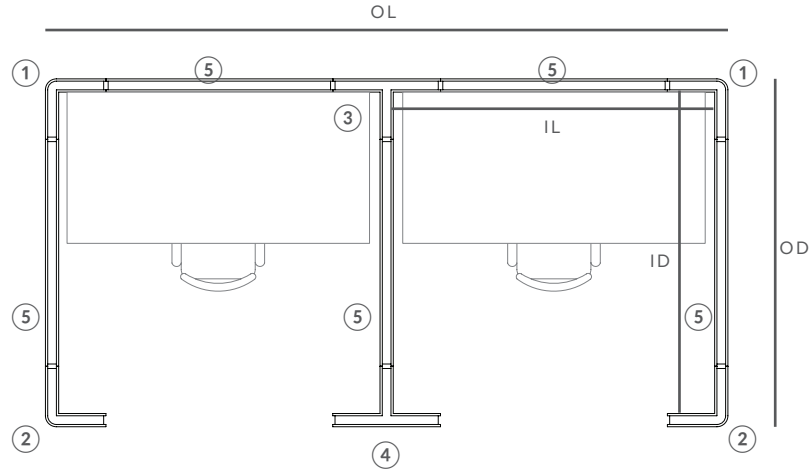
LUXXBOX USA INC
(P)+1 (415) 871 0448 × USA@LUXXBOX.COM
WWW.LUXXBOX.COM



CONFIGURATIONS (2/5)

To use the above listed codes for your own order, simply review the height options, the pattern/finish, the color and the mounting method to adjust these according to your needs. Update the codes and use the listed quantities to place your order.

EXAMPLE 03



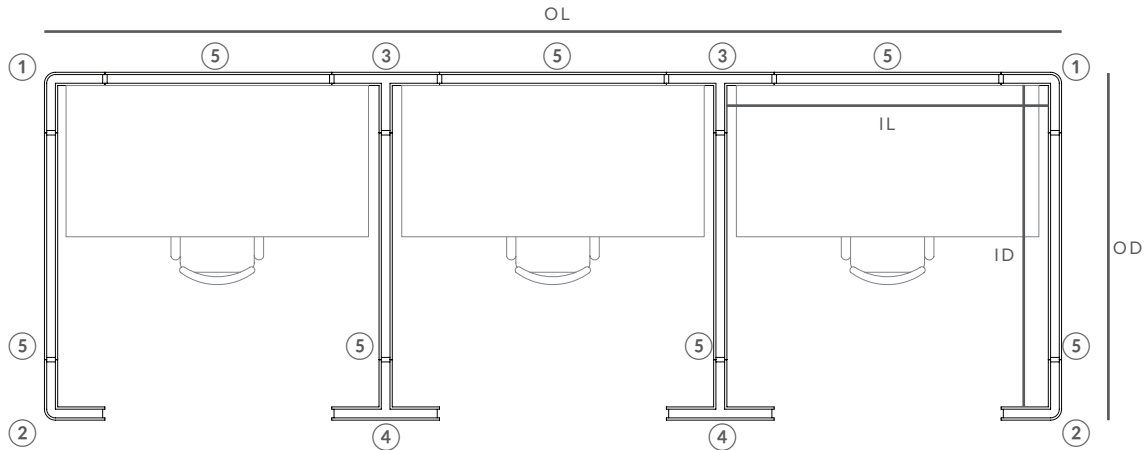
SPECIFICATIONS

Internal Length (IL)	1700mm / 66.9"
Internal Depth (ID)	1700mm / 66.9"
Outer Length (OL)	3040mm / 119.7"
Outer Depth (OD)	1840mm / 72.4"
Height	1600mm / 63"
Cubicles	2, Linear Formation

LIST OF PARTS AND CODES

Item	Product Code	Qty.
1	LX-FR-CM-L-H1-MB-SA-FS-MM	2
2	LX-FR-CM-L-H1-MB-SA-FS-EM	2
3	LX-FR-CM-T-H1-MB-SA-FS-MM	1
4	LX-FR-CM-T-H1-MB-SA-FS-EM	1
5	LX-FR-WM-S2-H1-MB-SA-FS-MM	5

EXAMPLE 04



SPECIFICATIONS

Internal Length (IL)	1700mm / 66.9"
Internal Depth (ID)	1700mm / 66.9"
Outer Length (OL)	5380mm / 211.8"
Outer Depth (OD)	1840mm / 72.4"
Height	1600mm / 63"
Cubicles	3, Linear Formation

LIST OF PARTS AND CODES

Item	Product Code	Qty.
1	LX-FR-CM-L-H1-MB-SA-FS-MM	2
2	LX-FR-CM-L-H1-MB-SA-FS-EM	2
3	LX-FR-CM-T-H1-MB-SA-FS-MM	2
4	LX-FR-CM-T-H1-MB-SA-FS-EM	2
5	LX-FR-WM-S2-H1-MB-SA-FS-MM	7

Luxxbox reserves the right to change the specification, material and colors at any time without notice. Standard warranty terms and conditions apply. All rights reserved © All dimensions and values on specification sheet are nominal. April 2026. Frames-Spec-Sheet_O v2.3



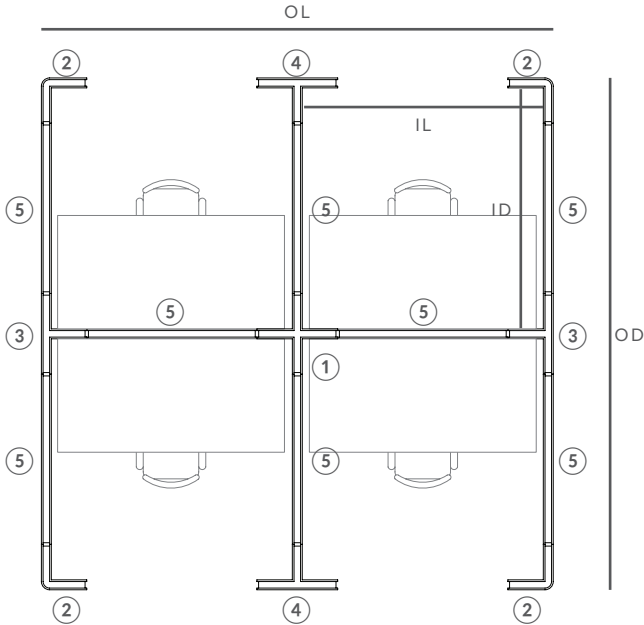
LUXXBOX USA INC
 (P)+1 (415) 871 0448 × USA@LUXXBOX.COM
 WWW.LUXXBOX.COM



CONFIGURATIONS (3/5)

To use the above listed codes for your own order, simply review the height options, the pattern/finish, the color and the mounting method to adjust these according to your needs. Update the codes and use the listed quantities to place your order.

EXAMPLE 05



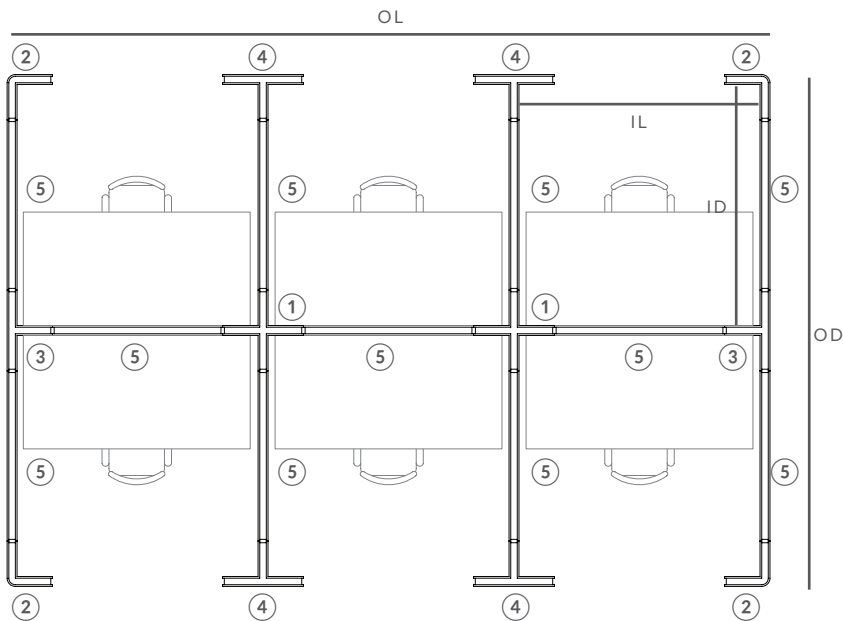
SPECIFICATIONS

Internal Length (IL)	1700mm / 66.9"
Internal Depth (ID)	1700mm / 66.9"
Outer Length (OL)	3040mm / 119.7"
Outer Depth (OD)	3040mm / 119.7"
Height	1600mm / 63"
Cubicles	4, Quad Formation

LIST OF PARTS AND CODES

Part	Part Code	Qty.
1	LX-FR-CM-X-H1-MB-SA-FS-MM	1
2	LX-FR-CM-L-H1-MB-SA-FS-EM	4
3	LX-FR-CM-T-H1-MB-SA-FS-MM	2
4	LX-FR-CM-T-H1-MB-SA-FS-EM	2
5	LX-FR-WM-S2-H1-MB-SA-FS-MM	8

EXAMPLE 06



SPECIFICATIONS

Internal Length (IL)	1700mm / 66.9"
Internal Depth (ID)	1700mm / 66.9"
Outer Length (OL)	5380mm / 211.8"
Outer Depth (OD)	3040mm / 119.7"
Height	1600mm / 63"
Cubicles	6, Quad Formation

LIST OF PARTS AND CODES

Part	Part Code	Qty.
1	LX-FR-CM-X-H1-MB-SA-FS-MM	2
2	LX-FR-CM-L-H1-MB-SA-FS-EM	4
3	LX-FR-CM-T-H1-MB-SA-FS-MM	2
4	LX-FR-CM-T-H1-MB-SA-FS-EM	4
5	LX-FR-WM-S2-H1-MB-SA-FS-MM	11

Luxxbox reserves the right to change the specification, material and colors at any time without notice. Standard warranty terms and conditions apply. All rights reserved © All dimensions and values on specification sheet are nominal. April 2026. Frames-Spec-Sheet_O v2.3



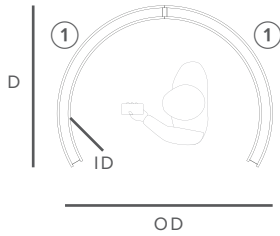
LUXBOX USA INC
 (P)+1 (415) 871 0448 × USA@LUXBOX.COM
 WWW.LUXBOX.COM



CONFIGURATIONS (4/5)

To use the above listed codes for your own order, simply review the height options, the pattern/finish, the color and the mounting method to adjust these according to your needs. Update the codes and use the listed quantities to place your order.

EXAMPLE 07



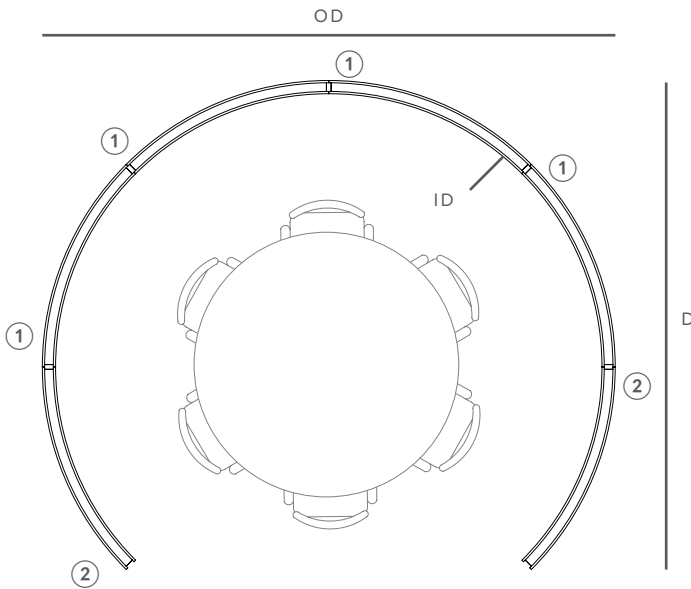
SPECIFICATIONS

Internal Diameter (ID)	1000mm / 39.4"
Outer Diameter (OD)	1140mm / 44.9"
Depth (D)	855mm / 33.7"
Height	1800mm / 70.9"

LIST OF PARTS AND CODES

Item	Part Code	Qty.
1	LX-FR-WM-C1-H2-MB-SA-FS-EM	2

EXAMPLE 08



SPECIFICATIONS

Internal Diameter (ID)	3000mm / 118.1"
Outer Diameter (OD)	3140mm / 123.6"
Depth (D)	2680mm / 105.5"
Height	1600mm / 63"

LIST OF PARTS AND CODES

Item	Part Code	Qty.
1	LX-FR-WM-C2-H1-MB-SA-FS-MM	4
2	LX-FR-WM-C2-H1-MB-SA-FS-EM	2

Luxxbox reserves the right to change the specification, material and colors at any time without notice. Standard warranty terms and conditions apply. All rights reserved © All dimensions and values on specification sheet are nominal. April 2026. Frames-Spec-Sheet_O v2.3



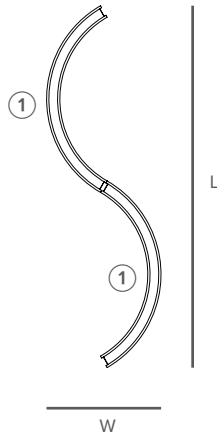
LUXXBOX USA INC
 (P)+1 (415) 871 0448 × USA@LUXXBOX.COM
 WWW.LUXXBOX.COM



CONFIGURATIONS (5/5)

To use the above listed codes for your own order, simply review the height options, the pattern/finish, the color and the mounting method to adjust these according to your needs. Update the codes and use the listed quantities to place your order.

EXAMPLE 09



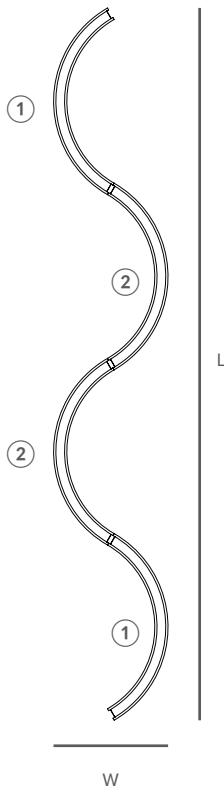
SPECIFICATIONS

Length (L)	1913mm / 75.3"
Width (W)	640mm / 25.2"
Height	1800mm / 70.9"

LIST OF PARTS AND CODES

Item	Part Code	Qty.
1	LX-FR-WM-C1-H2-MB-SA-FS-EM	2

EXAMPLE 10



SPECIFICATIONS

Length (L)	3767mm / 148.3"
Width (W)	640mm / 25.2"
Height	1600mm / 63"

LIST OF PARTS AND CODES

Item	Part Code	Qty.
1	LX-FR-WM-C1-H2-MB-SA-FS-EM	2
2	LX-FR-WM-C1-H2-MB-SA-FS-MM	2

Luxxbox reserves the right to change the specification, material and colors at any time without notice. Standard warranty terms and conditions apply. All rights reserved © All dimensions and values on specification sheet are nominal. April 2026. Frames-Spec-Sheet_O v2.3



LUXXBOX USA INC
 (P)+1 (415) 871 0448 × USA@LUXXBOX.COM
 WWW.LUXXBOX.COM





lxxx
box